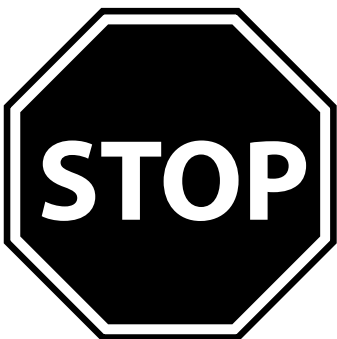


Performance Plus 2.0 Series



Warning: Excessive weight hazard!

Use two or more people to move, assemble, or install cabinets and locker to avoid back injury. Do not leave children unattended near cabinets. High risk of tipping if cabinets are installed incorrectly: securely attach cabinets to the wall to avoid serious injury. For assistance, call 1.877.306.8930; for U.K 0800.031.4069; e-mail at info@newageproducts.com.



ATTENTION: Is your cabinet damaged? Need help or spare parts? For fastest service, contact NewAge Products at 1-877-306-8930; or support@newageproducts.com. Do not return to the retailer.

INDEX

Product Overview:

- [Unpacking - 3](#)
- [Tools Needed - 3](#)
- [Included Quantities - 4](#)
- [Individual Parts - 4](#)
- [Weight Capacity - 5](#)
- [Worktop Options - 5](#)

[Installation Options - 6](#)

Installation Overview:

- [Sets with Casters - 7](#)
- [Wall Mount Installation - 8](#)
- [Slatwall Installation - 9](#)
- [Floor Mount - 10](#)
- [Corner Set Installation - 11](#)

Hanging Cabinets:

- [On Studded Wall - 12 - 15](#)
- [Hanging Corner Cabinet - 15](#)
- [Installing Spacer Kit - 16](#)
- [On Slatwall - 17](#)

Securing Cabinets:

- [To Wall - 18](#)
- [To Other Cabinets - 19](#)
- [Fastening Cabinets with Casters - 20](#)

Installing Worktop:

- [Normal installation on cabinets - 21](#)
- [Using Support Brackets - 22](#)
- [Installing Side Support Tray - 23](#)
- [Installing Worktop Support Leg - 24/25](#)
- [Corner Worktop - 26](#)

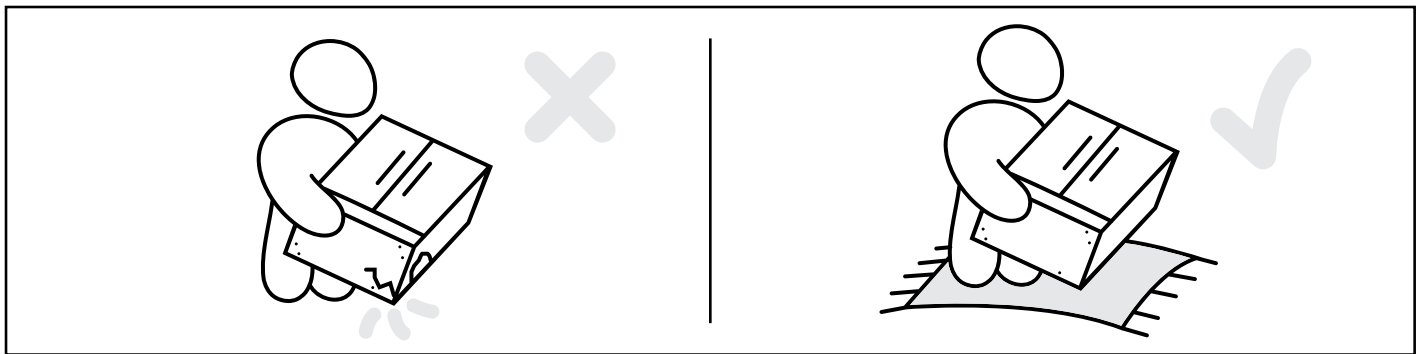
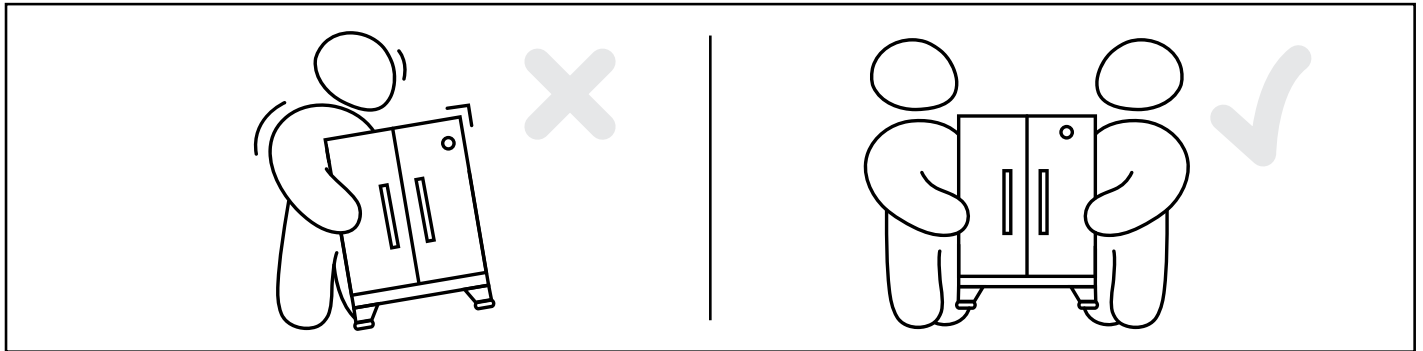
General Assembly:

- [Feet & Levelling cabinets - 27](#)
- [Casters - 28](#)
- [Drawers - 29](#)
- [Handles - 30](#)
- [Stacking - 31](#)
- [Closet Rod - 32](#)
- [Shelves - 33](#)
- [Base Cabinet Pullout Shelf - 34](#)
- [Utility hole - 35](#)
- [Magnetic Racing Stripe - 36](#)
- [Hinge Adjustment - 37](#)

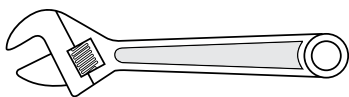
[Warranty - 38](#)

Unpacking

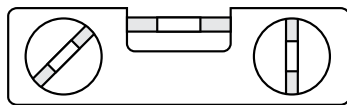
- Begin by placing the package on a covered flat surface.
- Remove all cardboard, foam packaging material and clear plastic bags.
- Dispose / recycle all packaging materials.
- Verify all the contents in the box and gather the required tools. See "Tools Needed", and "Included Quantities" list.



Tools Needed



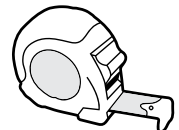
1 x Adjustable wrench



1 x 12" Magnetic Level



1 x Stud Finder



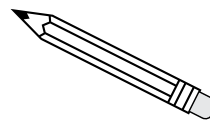
1 x Tape Measure



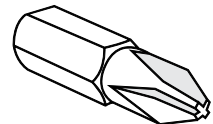
1 x 7/16" Socket driver wrench



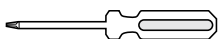
1 x 7/16" socket



1 x Pencil



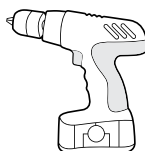
1 x #2 Phillips Bit



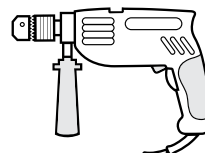
1 x #2 Phillips head screwdriver



1 x
6 mm or 3/16"
drill bit



1 x Cordless Power Drill



1 x Hammer Drill

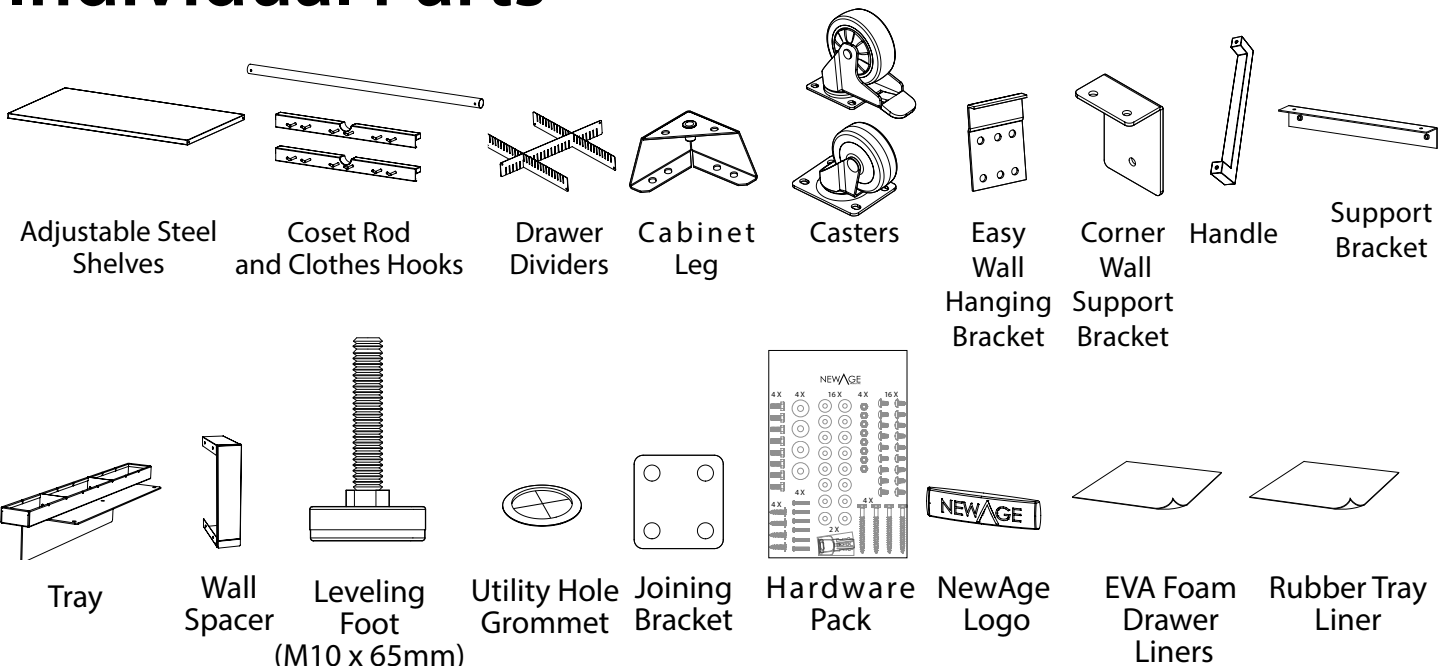


1 x Masonry Bit
[optional for masonry]


Included Quantities

	Base Cabinet	Tool Drawer	Locker	Wall	Corner Wall	Mobile Locker	Spacer Kit
Hardware Pack	1	1	1	1	1	1	0
Cabinet Leg	4	4	4	0	0	0	0
Leveling Foot	4	4	4	0	0	0	0
Casters	2	2	0	0	0	2	0
Casters with Brakes	2	2	0	0	0	2	0
Adjustable Steel Shelf	0	0	4	1	0	3	0
Drawer Dividers	0	3	0	0	0	0	4
Easy Wall Hanging Bracket	2	2	2	2	2	2	0
Handles	2	5	2	0	0	2	0
Closet Rod and Clothes Hooks(set)	0	0	1	0	0	1	0
Locker Support Bracket	0	0	1	0	0	0	0
Joining Bracket	1	1	0	0	2	0	0
Rubber Tray Liner	1	1	0	0	0	0	0
EVA Foam Drawers Liners	1	5	0	0	0	0	0
Utility Hole Grommet	1	0	1	0	0	1	0
NewAge Logo	1	1	1	1	1	1	0
2.5in Spacer Wall Cabinet	0	0	0	0	0	0	2
2.5in Worktop Tray	0	0	0	0	0	0	2

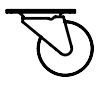
Individual Parts



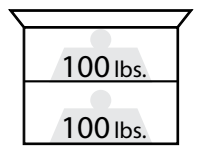
Weight Capacity



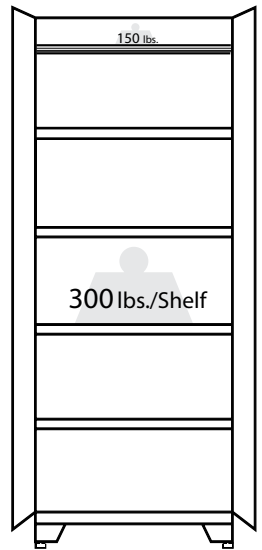
250 lbs per foot.
1000 lbs. per set of 4



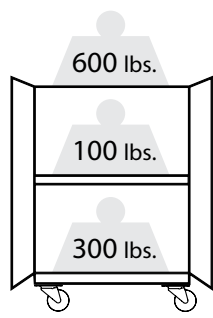
150 lbs. per Caster
500 lbs. per set of 4



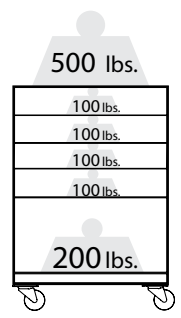
Wall Cabinets
Max 200 lbs.



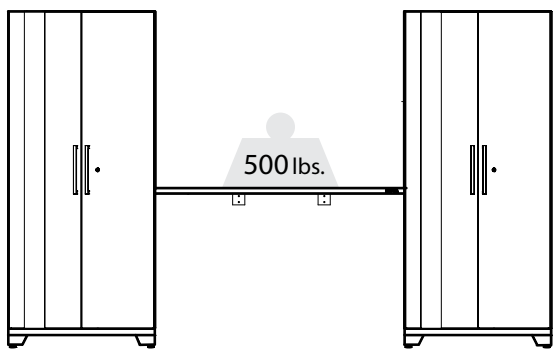
Locker 300lbs. / Shelf
Max 1000lbs. / Locker



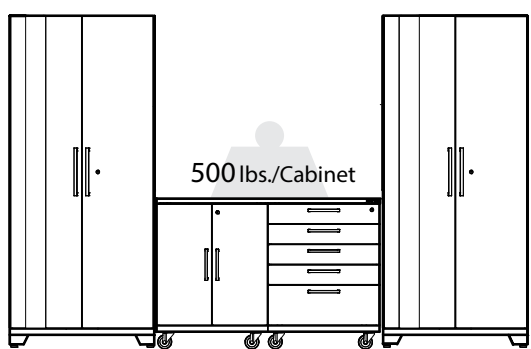
Base Cabinet
Max 1000 lbs.



Tool Cabinet
Max 1000 lbs.

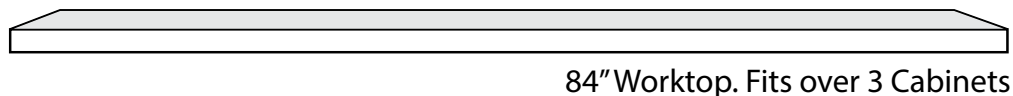
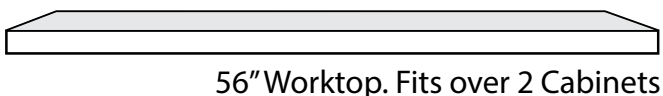
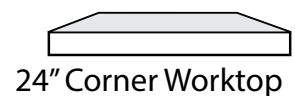


Floating Worktop
Max 500 lbs.



Worktop on Base Cabinets
Max 500 lbs./Cabinet

Worktop Options



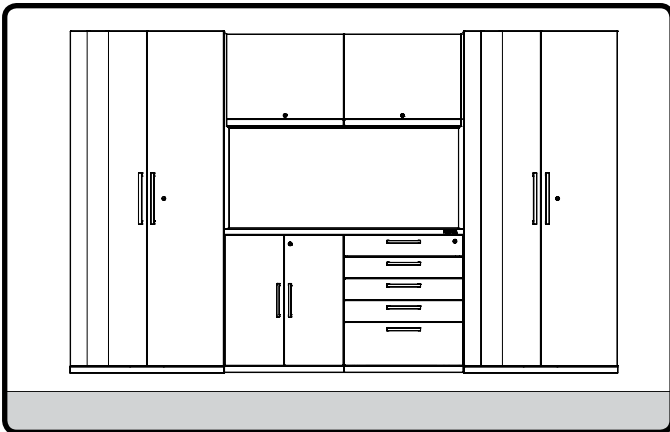
Installation options for Cabinets

i **Important information:** Please read before beginning installation.

- Layouts shown are only examples. All cabinets are modular and can be configured in a variety of different layouts.
- Plan layout and measure space before installing.
- Locate wall studs prior to installation.
- Consider the location of electrical outlets when planning layout.
- Measure height of cabinets for clearance.
- Base cabinets can be mounted flush front or flush back with Locker cabinets.

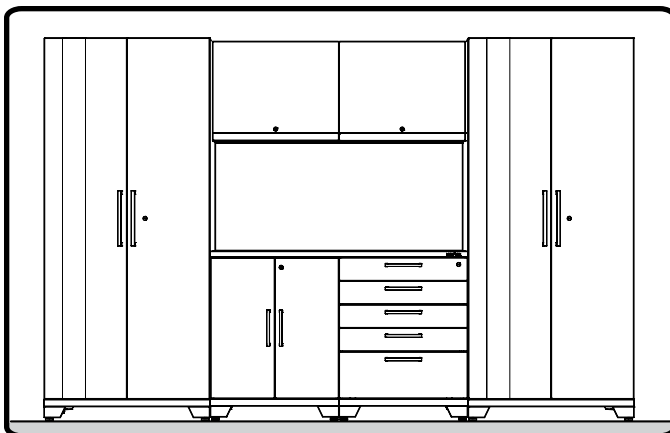
Option 2. - see [page 8.](#)

Wall mount cabinets off the floor.



Option 4. - see [page 10](#)

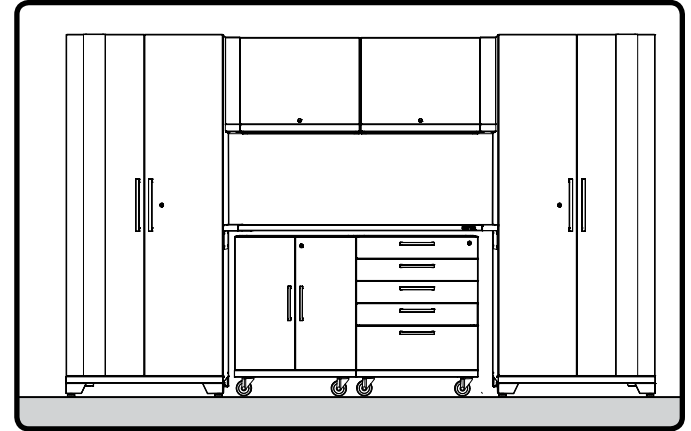
Floor mount with adjustable levelling legs.



Option 1. - see [page 7.](#)

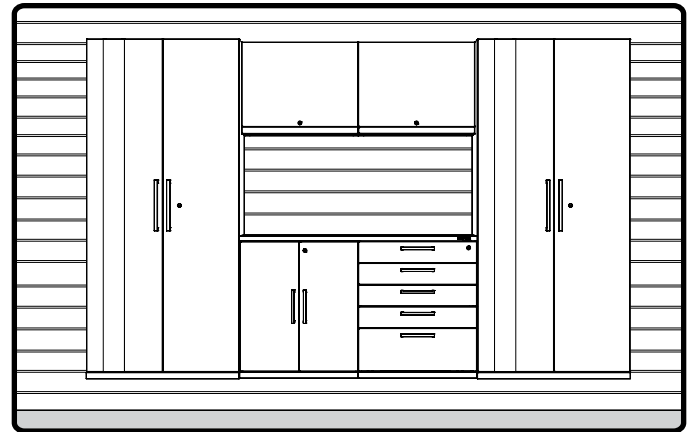
Sets with casters and adjustable leveling legs.

Note: Casters cannot be installed on Locker cabinets.



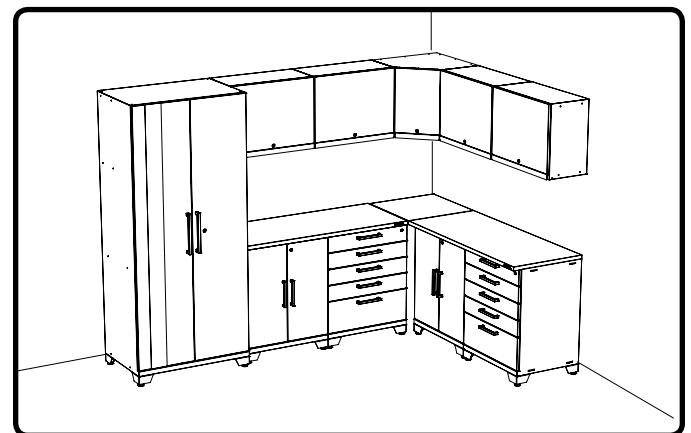
Option 3. - see [page 9.](#)

Wall mount on slatwall using slatwall brackets (sold separately).



Option 5. - see [page 11](#)

Corner cabinet installation. **Note:** Corner cabinets can be installed using all installation options.



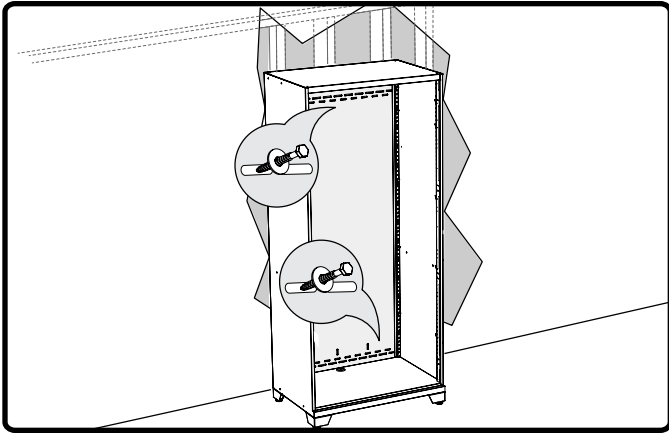
Option 1

Caster Set Installation Overview

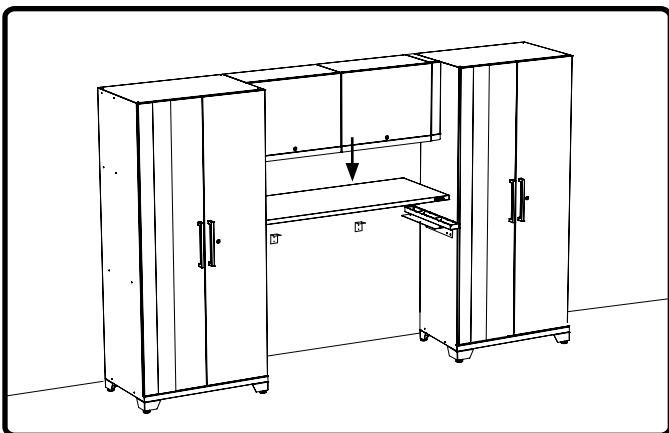
i Plan layout before installing cabinets.

- It is recommended to begin installation with Locker cabinet.
- Install cabinets one at a time.
- Locker and wall cabinets must be fully secured to wall using (4) wall screws per cabinet.

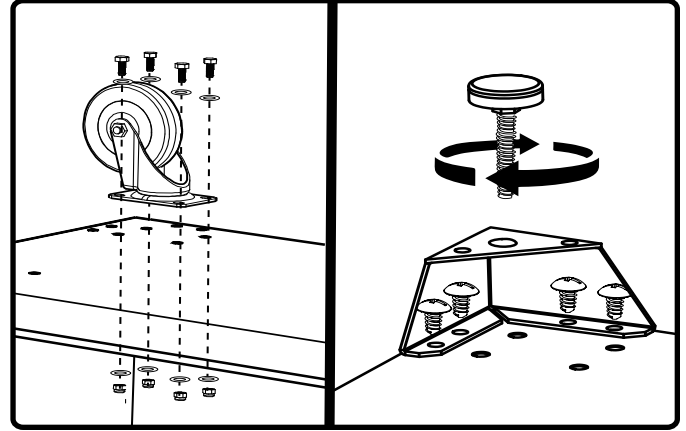
2 Begin by securing Locker cabinet to wall in determined position. See [Page 18](#) for full instructions.



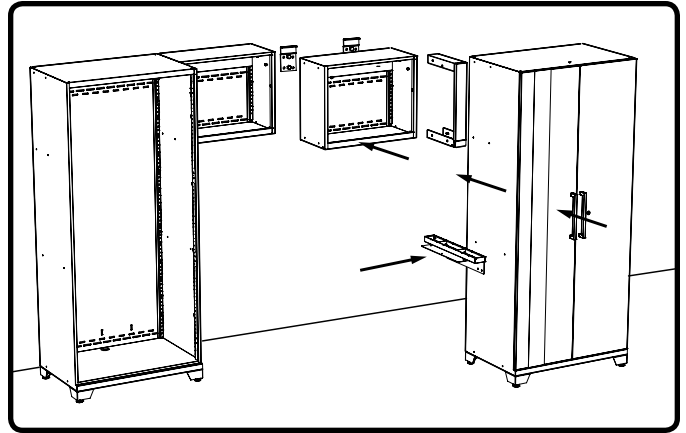
4 Install Worktop Wall Support Brackets, Leg Supports and attach worktop.



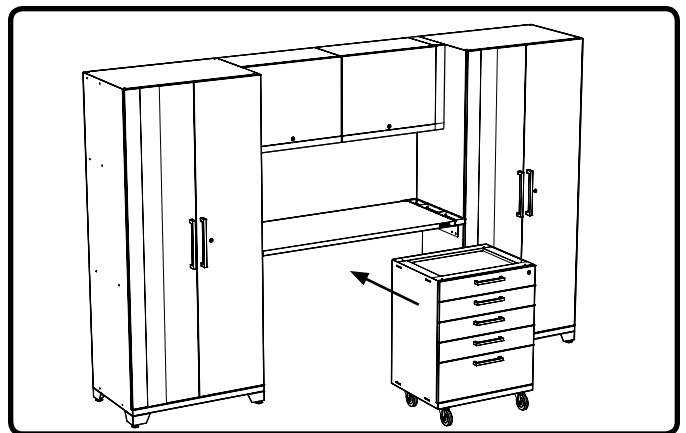
1 Attach feet to locker cabinets. Attach casters to base cabinets. See full installation on [pages 27 & 28](#).



3 Secure remaining wall, locker and spacer kit starting with spacer kit. See [pages 12-16, 19 and 23](#).



5 Position cabinets in place below worktop.



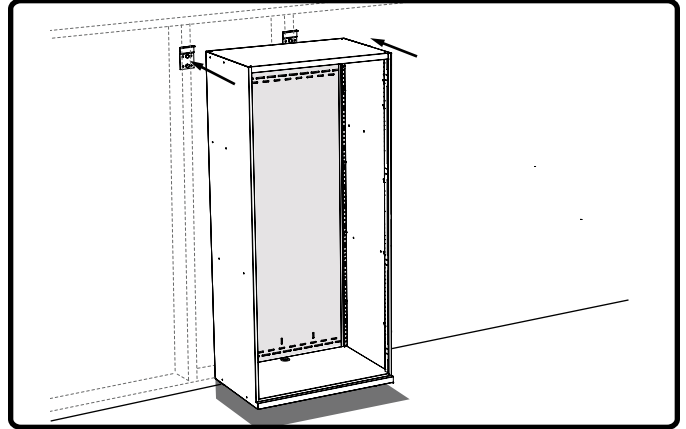
Option 2

Wall Mount Installation Overview

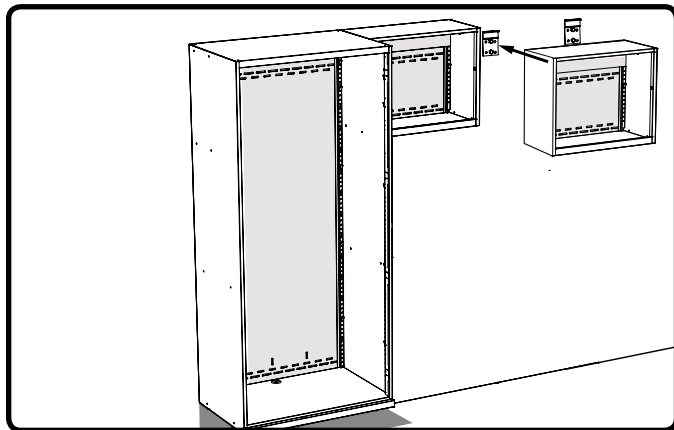
i Plan layout before installing cabinets.

- Determine height cabinets will be installed off the ground.
- It is recommended to begin installation with Locker cabinet.
- Install cabinets one at a time.
- Cabinets must be fully secured to wall using (4) wall screws per cabinet.

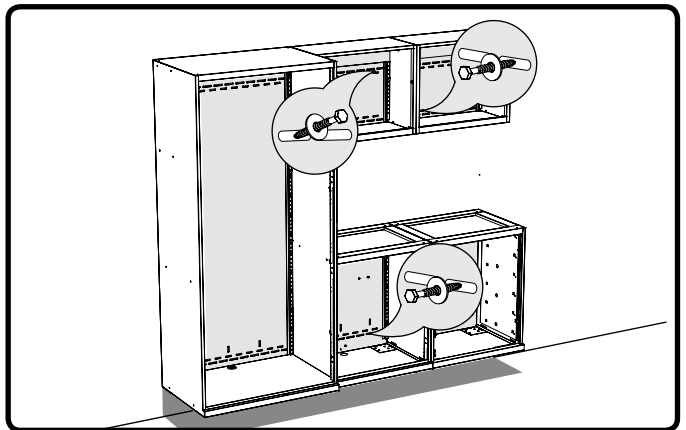
1 Begin by attaching Locker cabinet to wall. See [page 12-16](#) for full instructions on hanging cabinets.



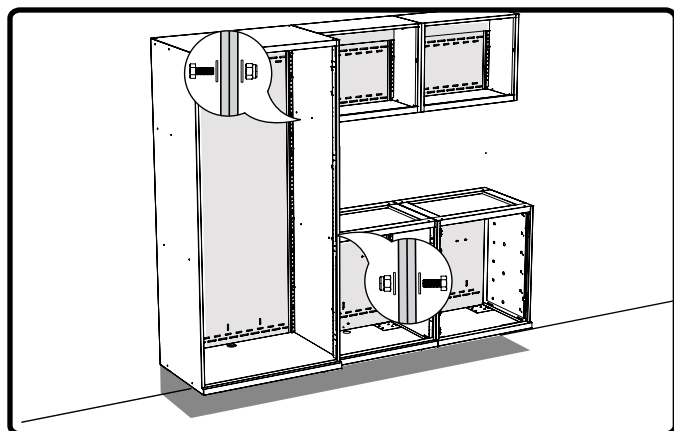
2 Position and secure remaining base cabinets, and wall cabinets to wall. See [page 12-16](#).



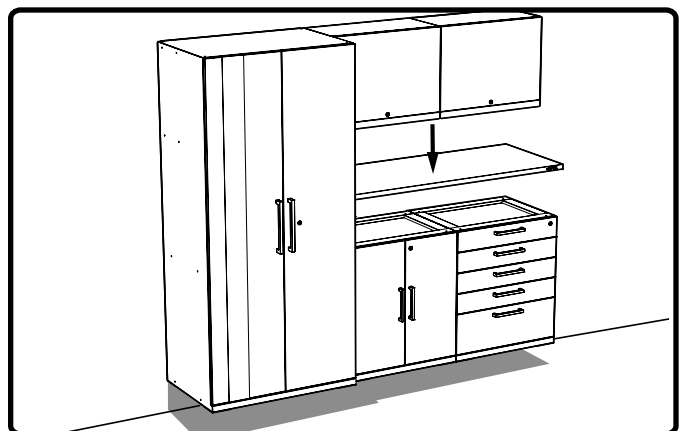
3 Secure cabinets to wall. See [page 15](#).



4 Secure cabinets together. See [page 19](#).



5 Attach worktop. See [page 21](#) for full instructions.



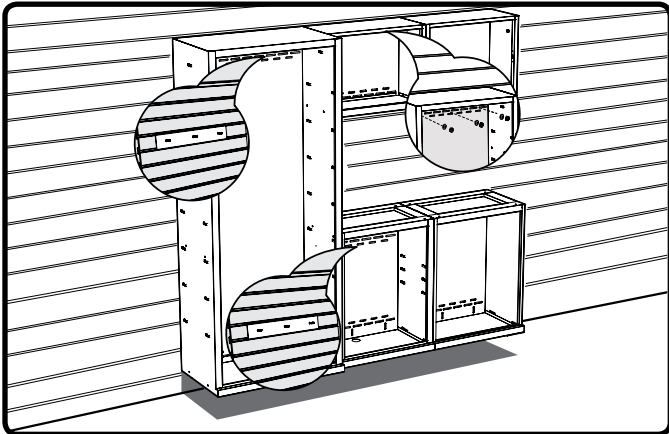
Option 3

Slatwall Installation Overview

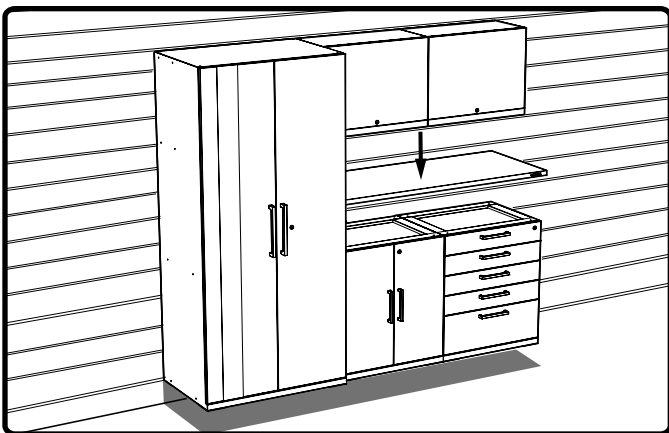
i Plan layout before installing cabinets.

- Determine height cabinets will be installed off the ground.
- Slatwall bracket sold separately
- Slatwall brackets for use with standard 3" slatwall.
- Check slatwall manufacturer for rated load capacity.
- Do not overload.

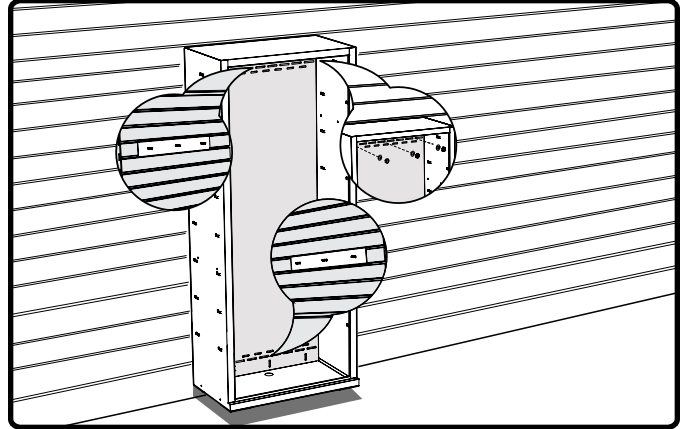
2 Position and secure remaining base cabinets, and wall cabinets.



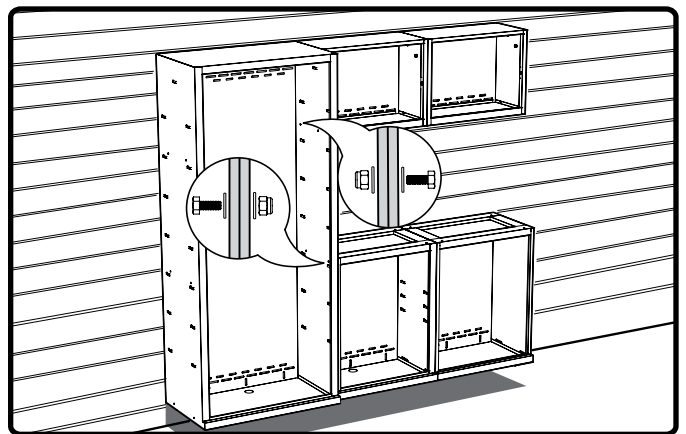
4 Attach worktop. See [page 21](#) for full instructions.



1 Begin by attaching Locker cabinet to Slatwall using Slatwall bracket. See [page 17](#) for slatwall hanging instructions.



3 Attach cabinets together. See [page 19](#).



Slatwall brackets sold separately. See below for quantities needed.

- Locker, Tool and Base Cabinets - per cabinet (2) x 24" Slatwall Brackets. Part # 50979
- Wall Cabinets - per cabinet (1) x 24" Slatwall Brackets. Part # 50979
- Corner Wall Cabinets - per cabinet (2) x 12" Slatwall Cabinets. Part # 50980

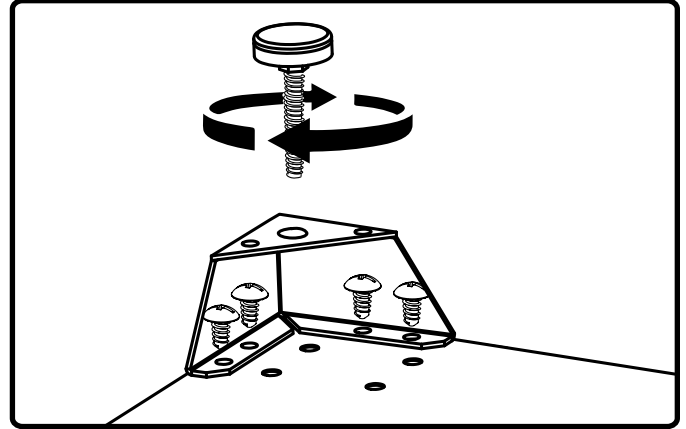
Option 4

Floor Installation Overview

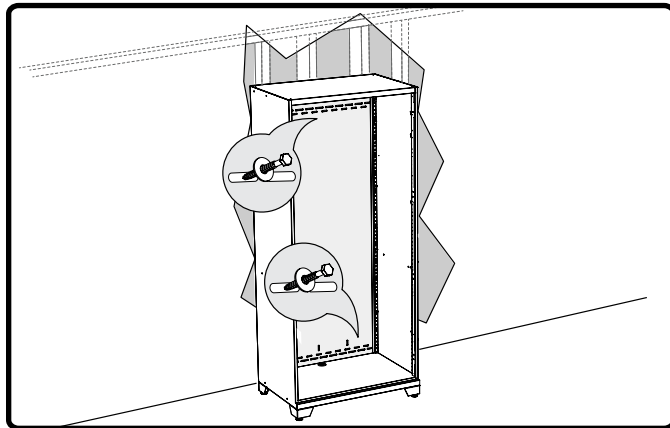
i Plan layout before installing cabinets.

- It is recommended to begin installation with Locker cabinet.
- Cabinets must be fully secured to wall using (4) wall screws per cabinet.
- Casters can not be installed on 36" locker cabinets.

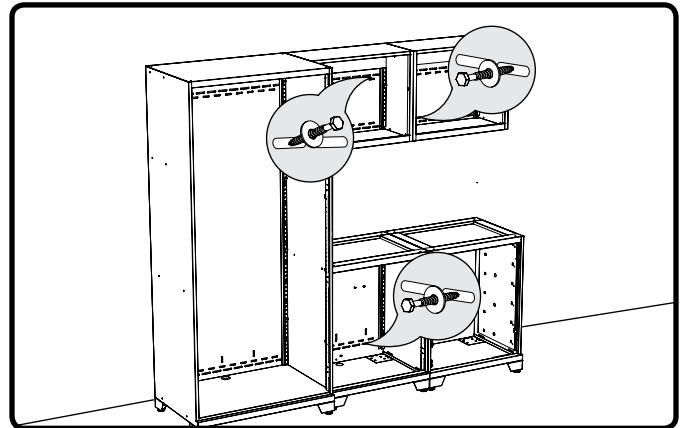
1 Attach feet to cabinets. See full feet installation on [page 27](#).



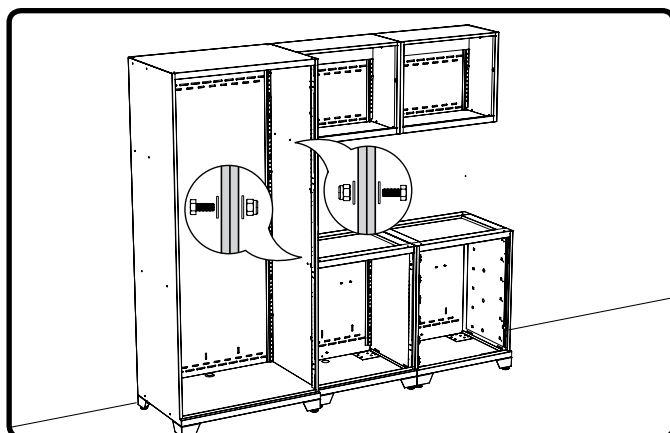
2 Begin by securing Locker cabinet to wall in determined position. See [Page 18](#) for full instructions.



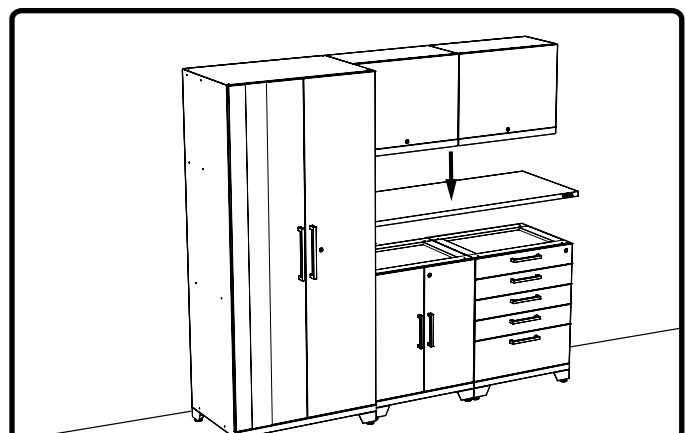
3 Position and secure remaining cabinets to wall. Install cabinets one at a time. See [page 18](#) for full instructions.



4 Attach cabinets together. See [page 19](#) for detailed fastening instructions.



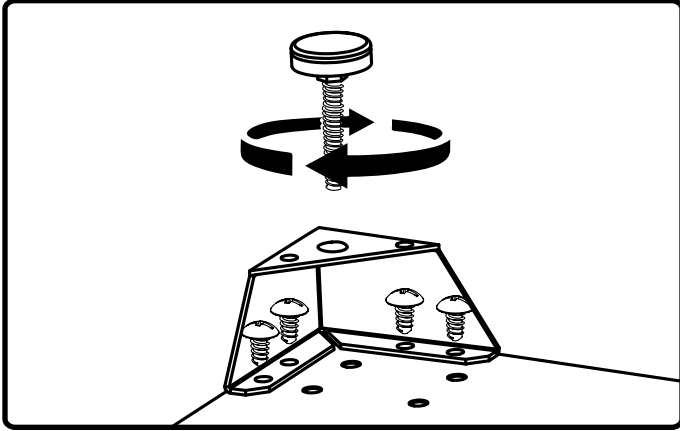
5 Attach worktop. See [page 21](#) for full instructions.



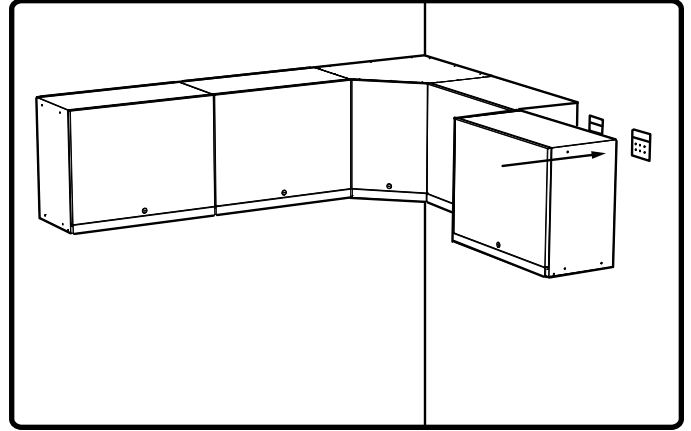
Option 5

Corner Set Installation Overview

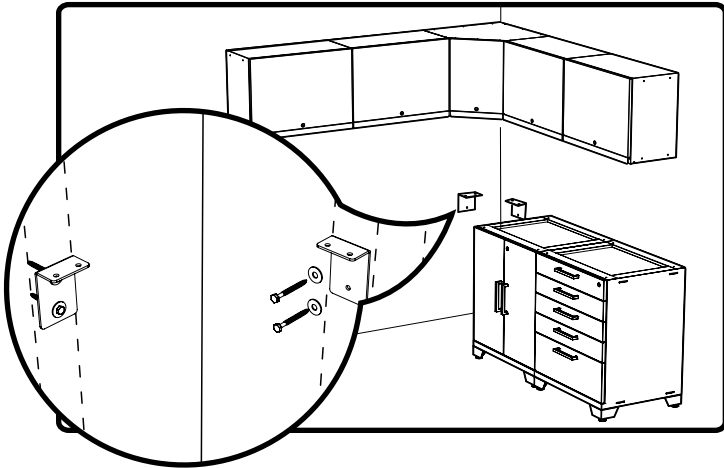
- 1** Attach feet to cabinets. See full feet installation on [page 25](#).



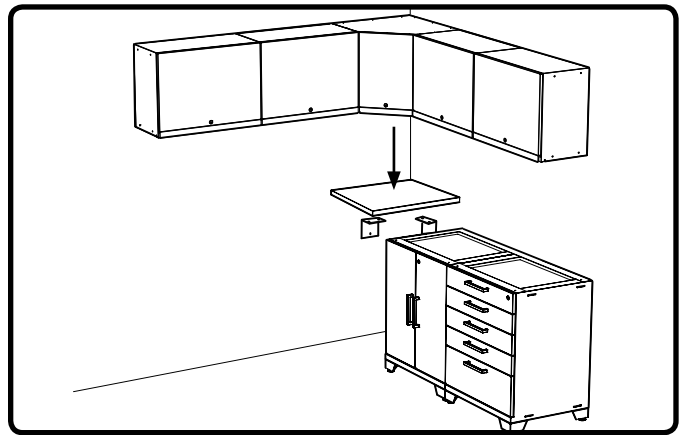
- 2** Hang wall cabinets starting with corner wall cabinet. See full instructions on [pages 12-16](#).



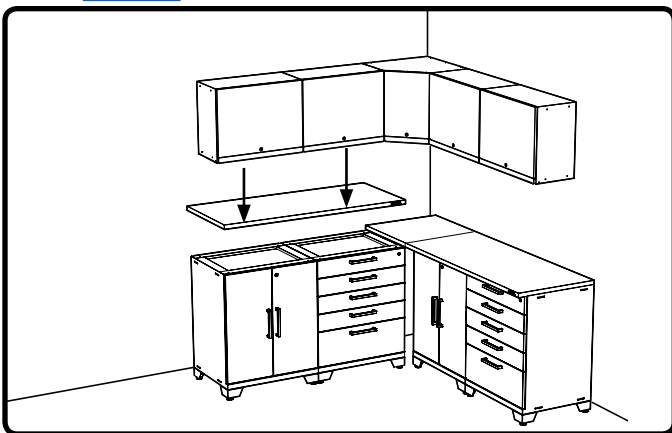
- 3** Install corner worktop support and base cabinets. See [page 26](#).



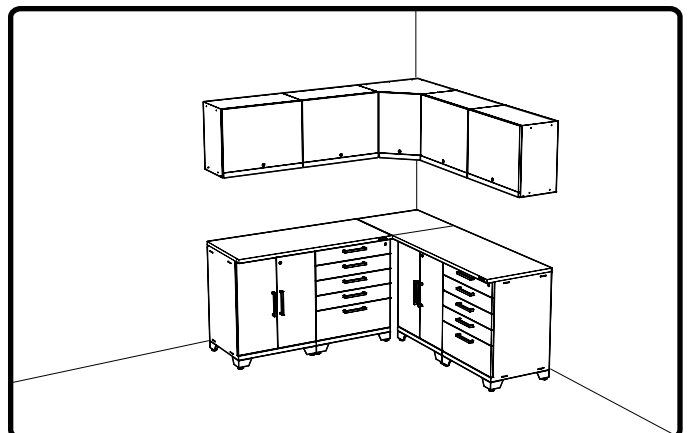
- 4** Install corner worktop. See [page 26](#).



- 5** Position, secure and attach all remaining cabinets and worktops. See [page 18,19](#) and [21](#).

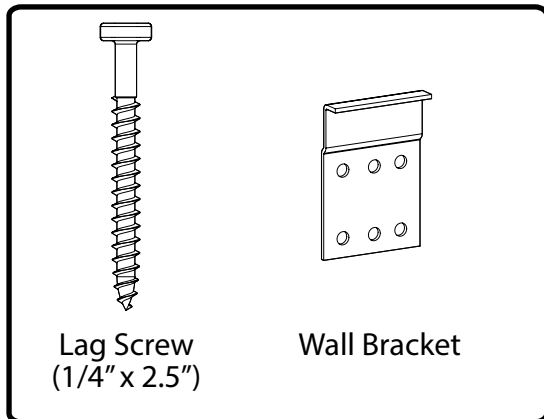


- 6**

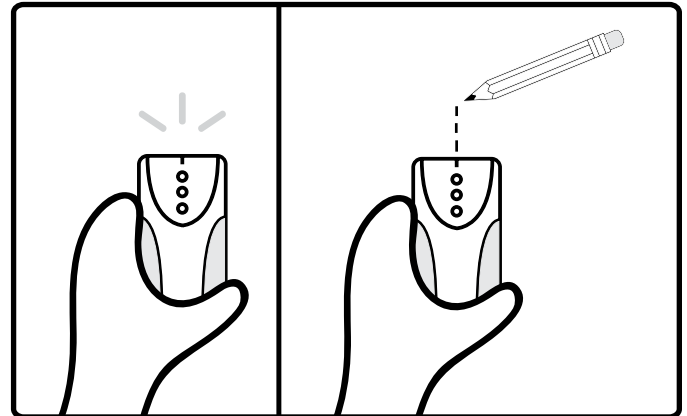


Hanging Cabinets on Studded Wall

i Parts Needed.



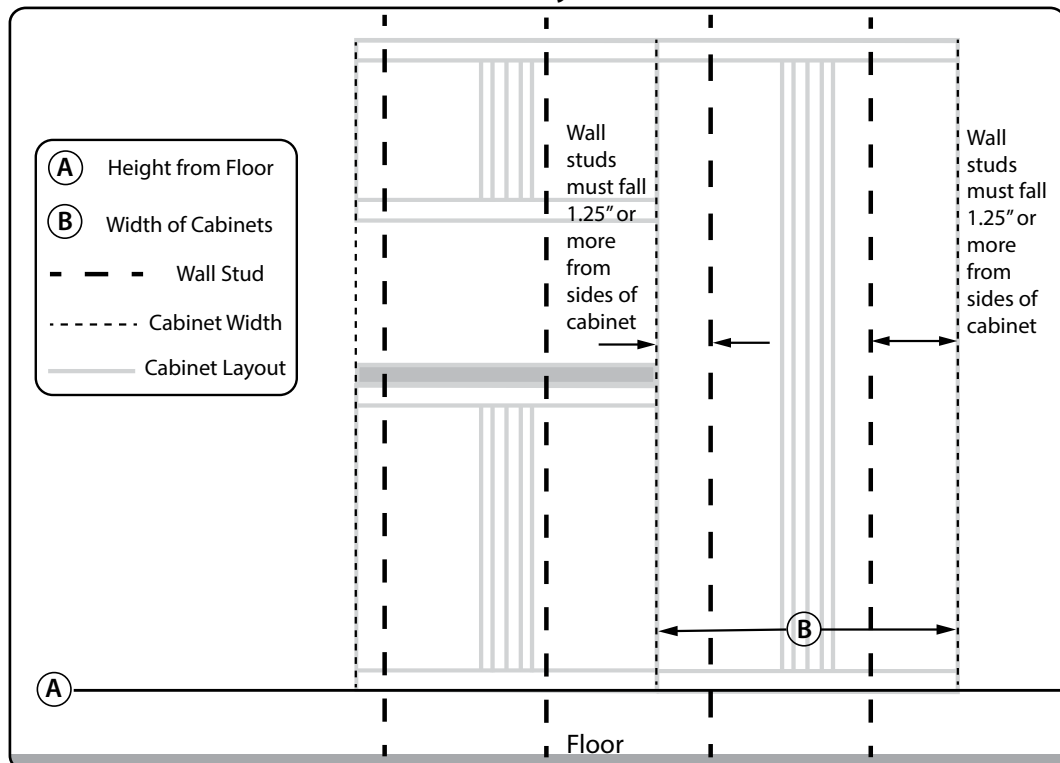
1 Use stud finder to locate the studs and mark the wall with a pencil.



2 Planning the general position of cabinets.

- Step A.** Determine the height off the ground you would like the base and locker cabinets to be and make a horizontal mark at this position.
- Step B.** Next mark the width of each cabinet in the intended position and ensure the wall studs fall at least 1.25" in from the edge of the cabinets. This will ensure there is no interference with the edges of the cabinet and the wall bracket when hanging the cabinet on the wall.
- Step C.** For corner installation begin by hanging corner cabinet first and continue out from corner.

Note: Ensure there are two studs for the locker to be mounted on as it is easiest to start the installation with the locker first. Due to the spacing of the wall studs it is possible that some base or wall cabinets will only have one stud they will attach to; This is acceptable as long as the cabinet is bolted to another securely mounted cabinet.

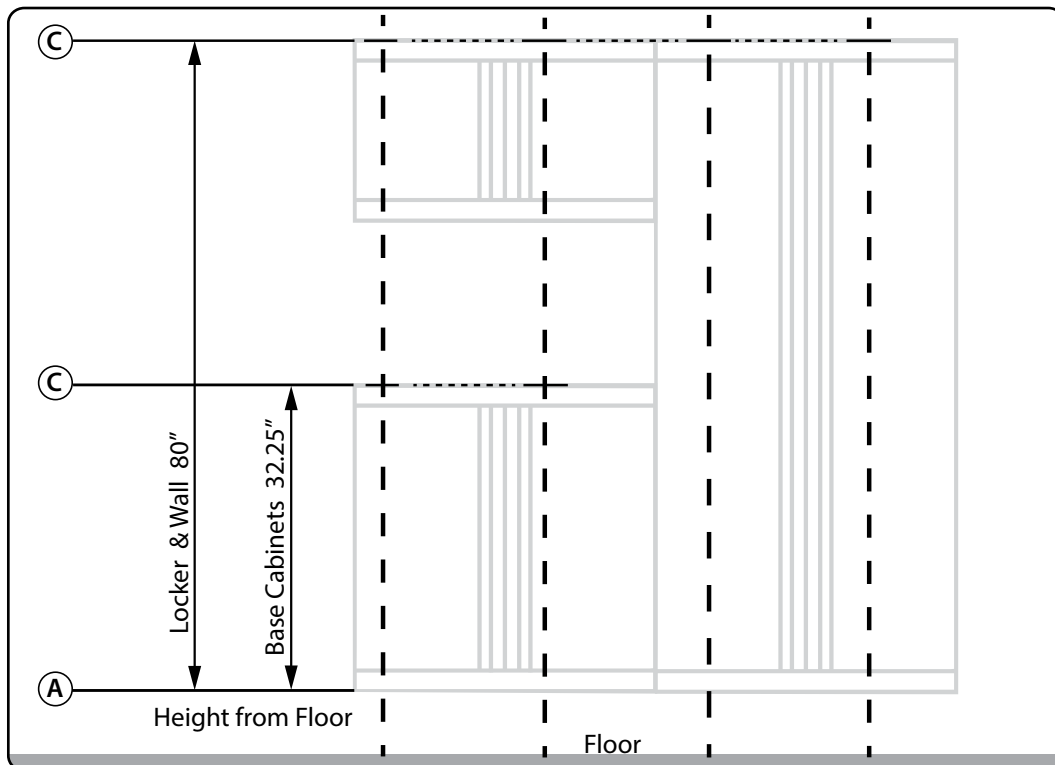


Hanging Cabinets on Studded Wall (cont.)

3 Planning the general position of cabinets. (cont.)

Step C. Measuring up from the line marked in Step A, make a horizontal mark at the following heights where they intersect the wall stud marks to determine where the top of the cabinet will be (and where the hanging bracket will be installed).

1. **Locker:** Measure 80" vertically from base line and mark at stud locations.
2. **Base:** Measure 32.25" vertically from base line and mark at stud locations.
3. **Wall cabinets:** Measure 80" vertically from base line and mark at stud locations (if installing flush with top of locker).



Step D. Ensure the cabinets will be at a suitable working height and that your wall cabinets are not out of reach.

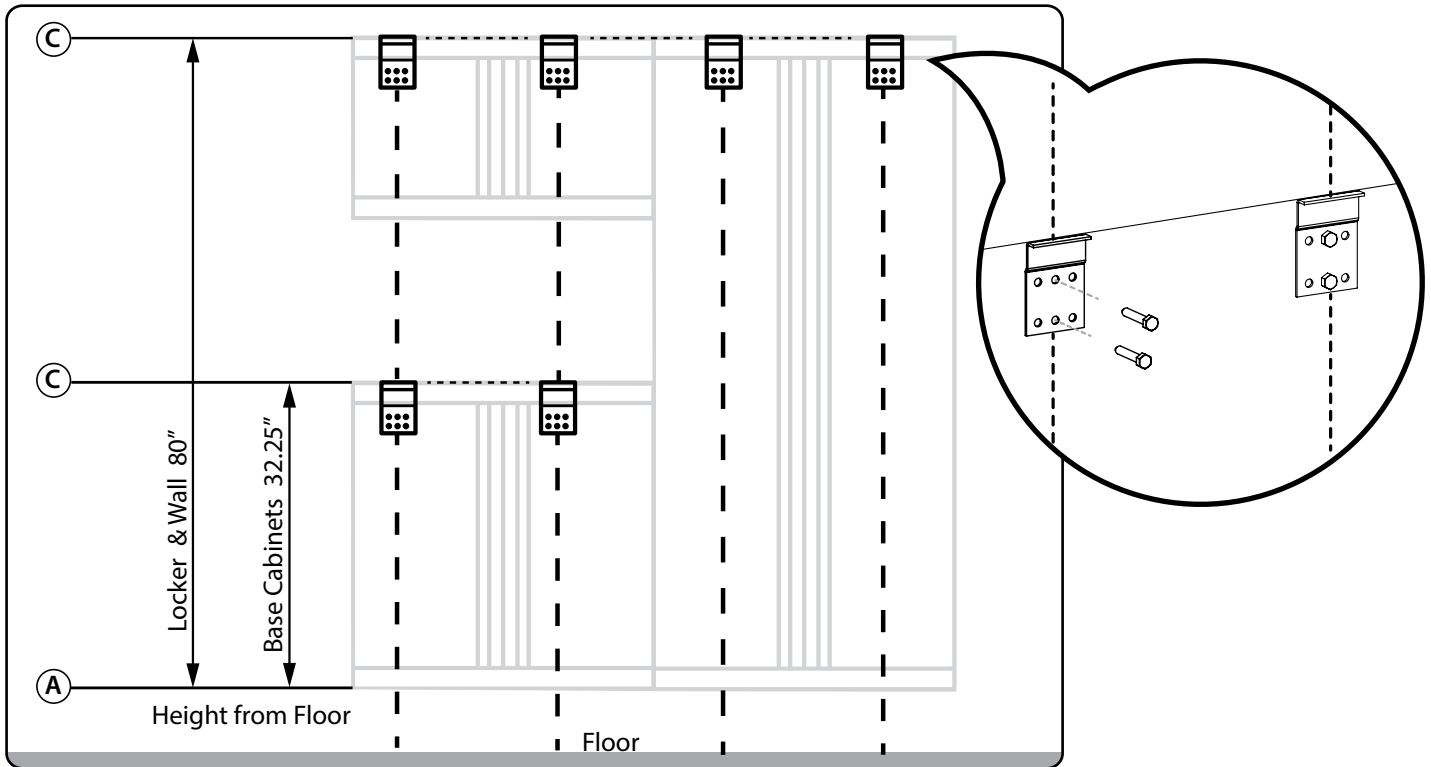
Note: The working surface of the base cabinets will be 1.25" higher than the cabinet with the top installed.

Hanging Cabinets on Studded Wall (cont.)

4 Hanging cabinets on wall.

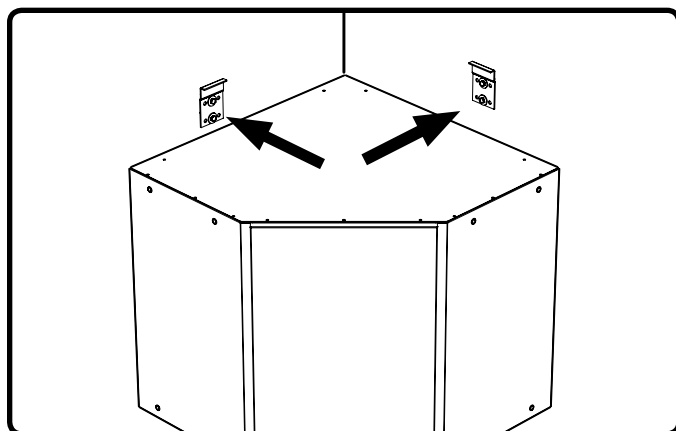
Align the top of the wall hanging brackets with the lines marked for the position of the top of the cabinets (Step C) and attach the brackets securely into the studs using the supplied lag bolts.

Note: It is possible to offset the bracket to one side or the other if the bracket is positioned close to the edge of the intended cabinet position by using the secondary hole positions on the bracket.

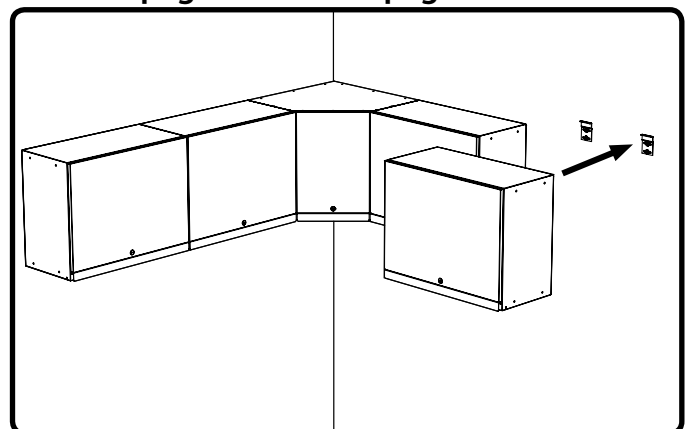


Hanging Corner Cabinets on Studded Wall

5 Begin with the corner wall cabinet and use (2) X Wall Support Brackets to hang cabinet following Steps 1-6 from pages 12-15.

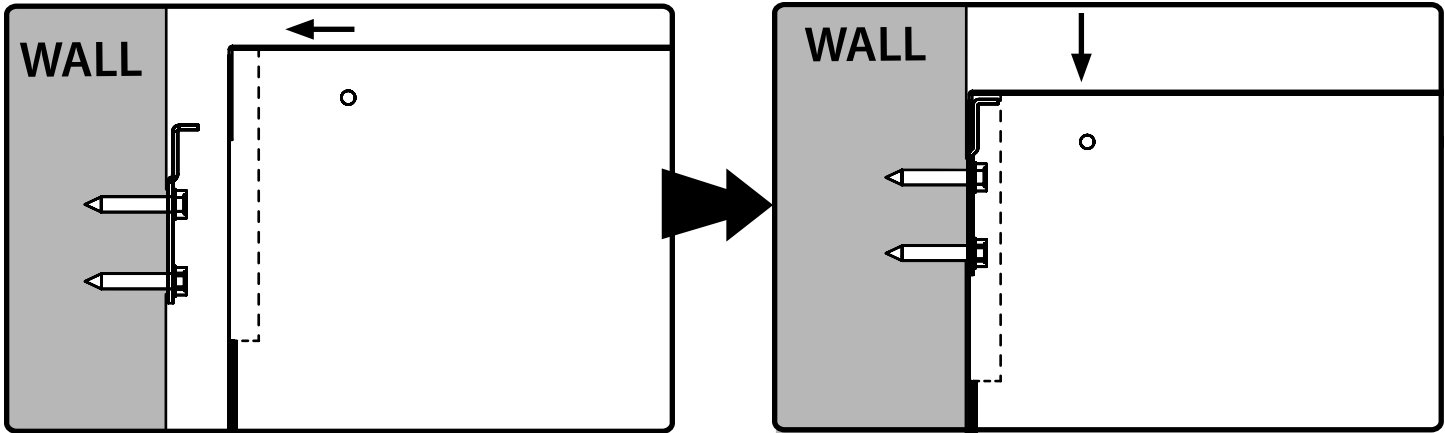


6 Hang and secure remaining wall cabinets following "Hanging Cabinets on Studded Wall" and "Fastening Cabinets Together" see pages 12-15 and page 19.

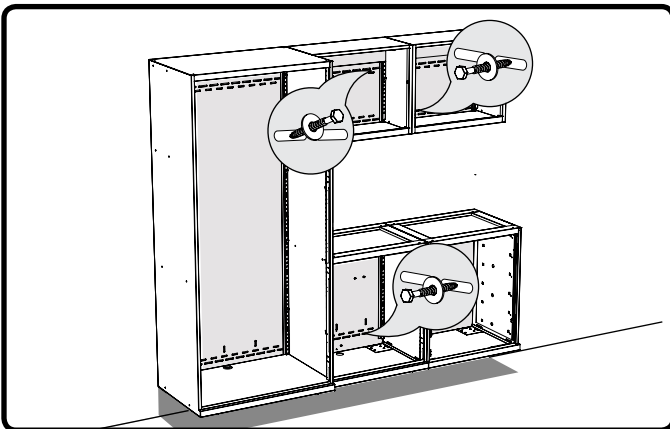


Hanging Cabinets on Studded Wall (cont.)

- 7** Lift cabinet into place over the brackets and flush with the wall, and lower into place.



- 8** Fasten cabinets to wall. See page 18.



i Warning

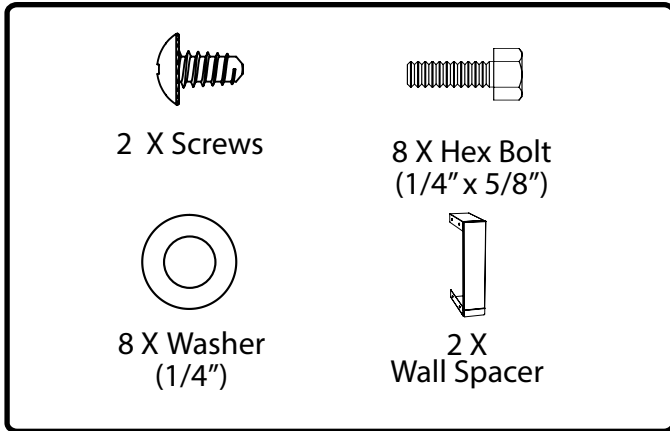
- Do not load cabinets when hanging from **Easy Wall Hanging Cabinets**.
- All cabinets must be secured to the wall using lag screws.

i Masonry.

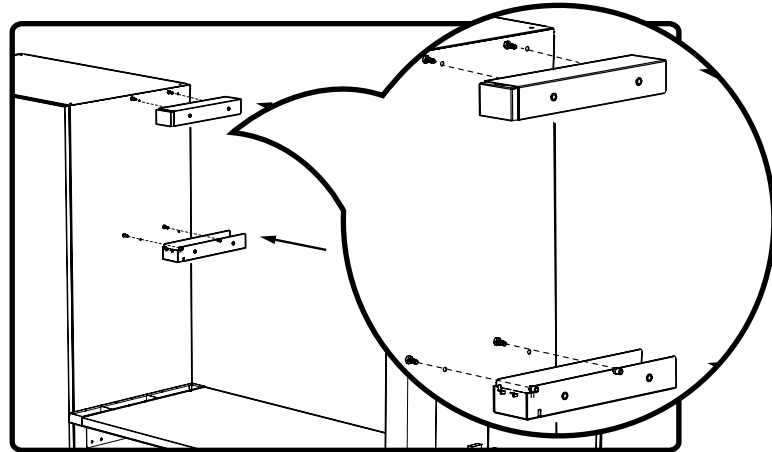
- Follow steps 1 to 4.
- Drill 4 pilot holes through the perforated strip with hammer drill & masonry bit.
- Use 4 x (2 1/4" x 1/4") Tapcon Concrete Anchor (Not included) into wall.
- **OR** 4 x (#10 x 2") Screw with 3/16" masonry plug into wall.(Not included)

Installing Wall Spacer Kit

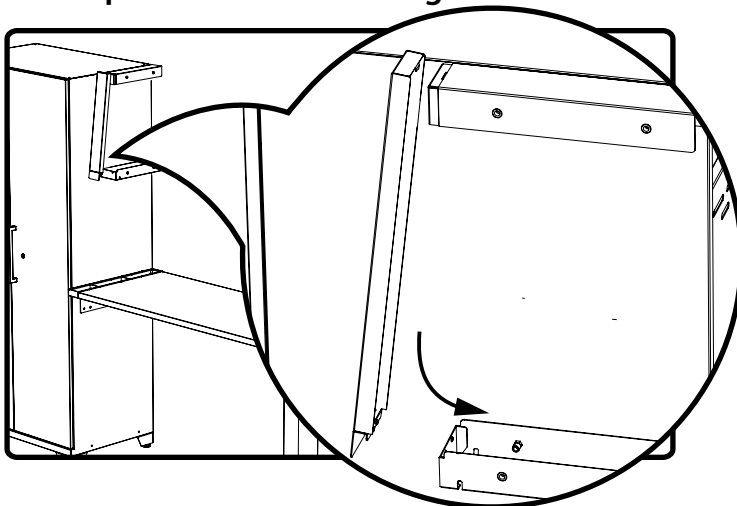
1 Parts Needed.



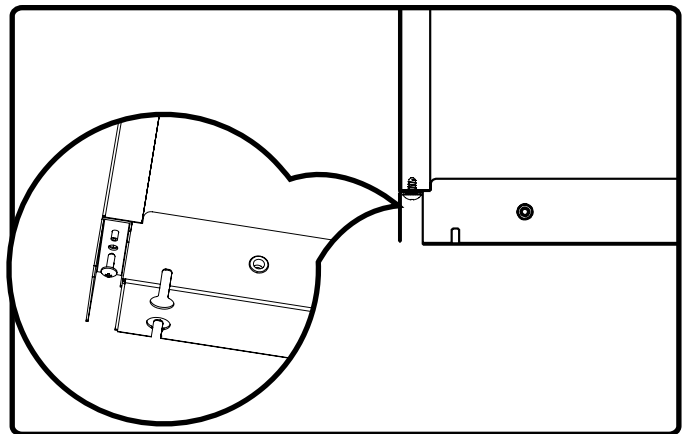
2 Attach spacer cabinet to side of locker using 1/4" hex bolts and washers



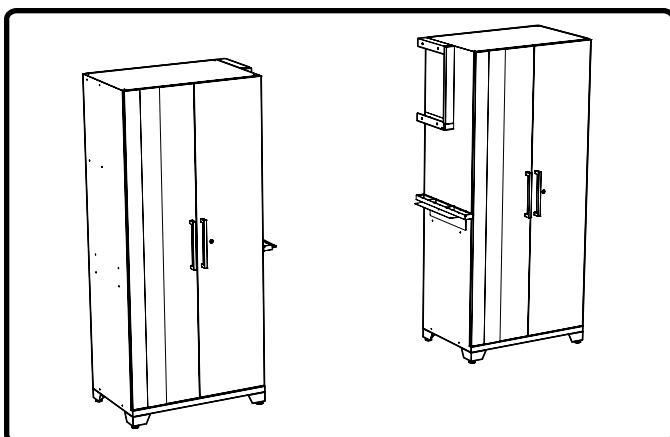
3 Insert tab of spacer cabinet into slot of upper frame. Slide door down into place and secure using screws.



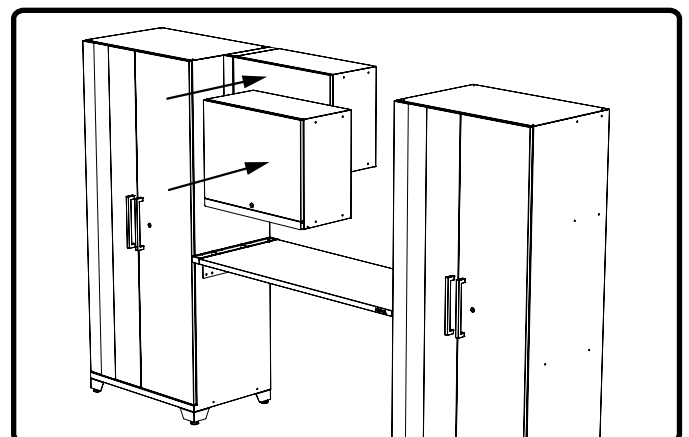
4 Install screw to secure front face.



5 Install 2nd wall spacer by repeating Steps 2 - 4.



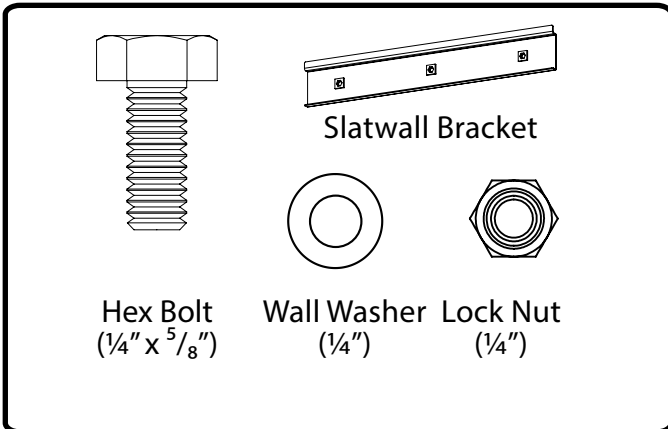
6 Attach remaining wall cabinets. See [pages 12-15](#).



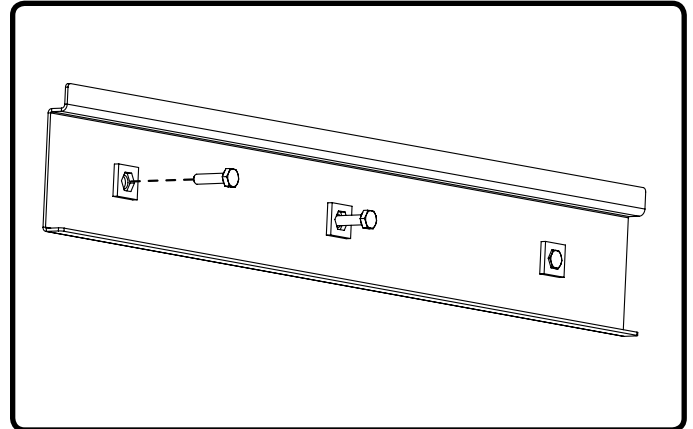
Hanging Cabinets on Slatwall

Note: Slatwall Brackets for use with standard 3" slatwall **Sold Separately**. Check with your slatwall supplier to determine the rated capacity of your slatwall. **DO NOT OVERLOAD.** **NewAge Slatwall Brackets are only compatible with standard 3" on center Slatwall.**

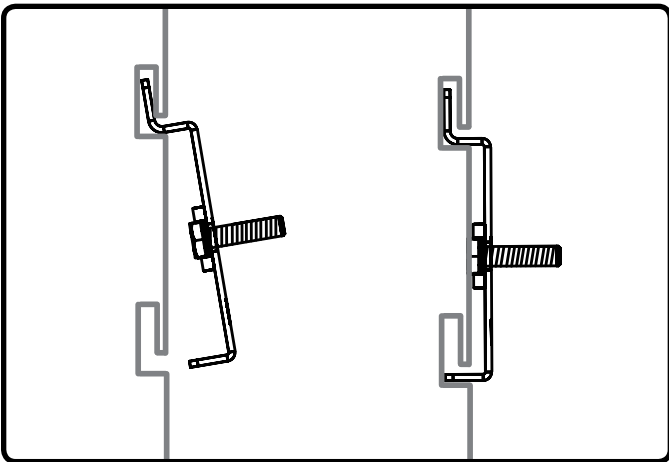
i Parts Needed.



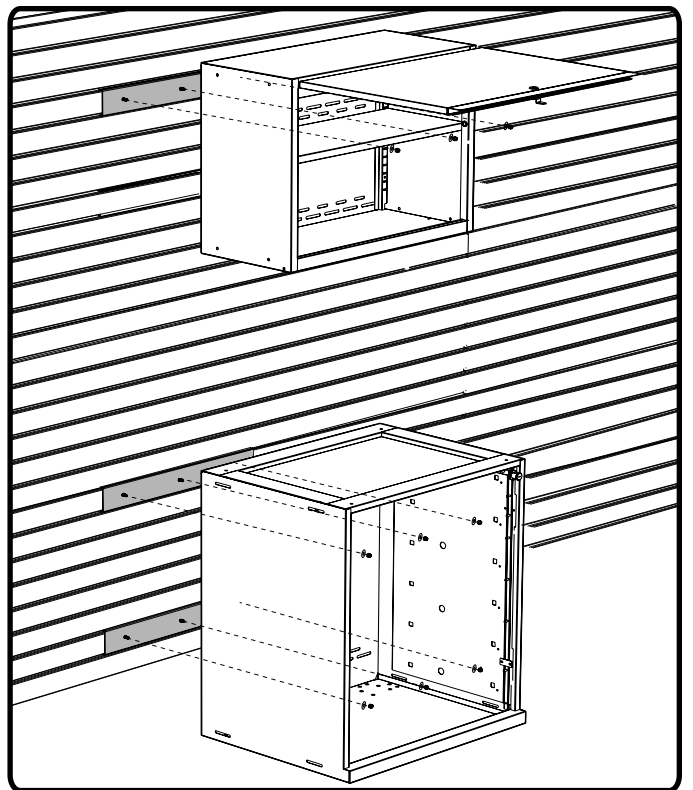
1 Insert bolts through slatwall bracket.



2 Attach bracket to slatwall at desired height.



3 Align bolt with slots on back of cabinet and hang cabinet.



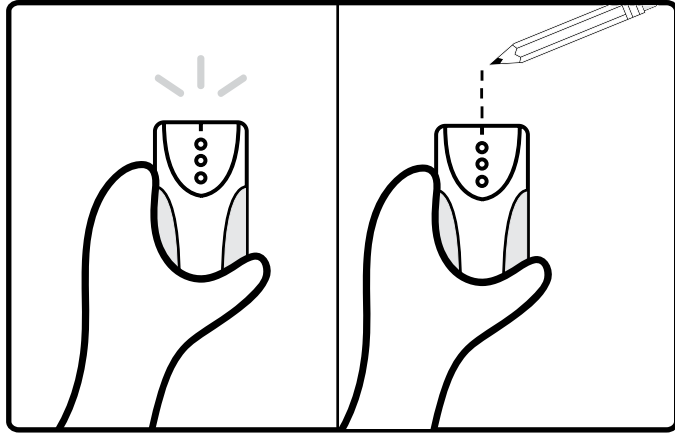
Slatwall brackets sold separately. See below for quantities needed.

- Locker, Tool and Base Cabinets - per cabinet (2) x 24" Slatwall Brackets. Part # 50979
- Wall Cabinets - per cabinet (1) x 24" Slatwall Brackets. Part # 50979
- Corner Wall Cabinets - per cabinet (2) x 12" Slatwall Cabinets. Part # 50980

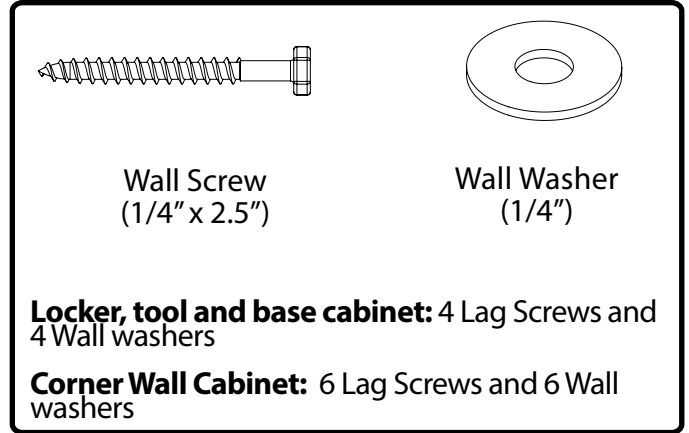
Note: For Locker cabinet attach second bracket 66" below first bracket. For Base cabinet attach second bracket 18" below first bracket.

Fastening Cabinets on Studded Wall

1 Use stud finder to locate the studs and mark the wall with a pencil.



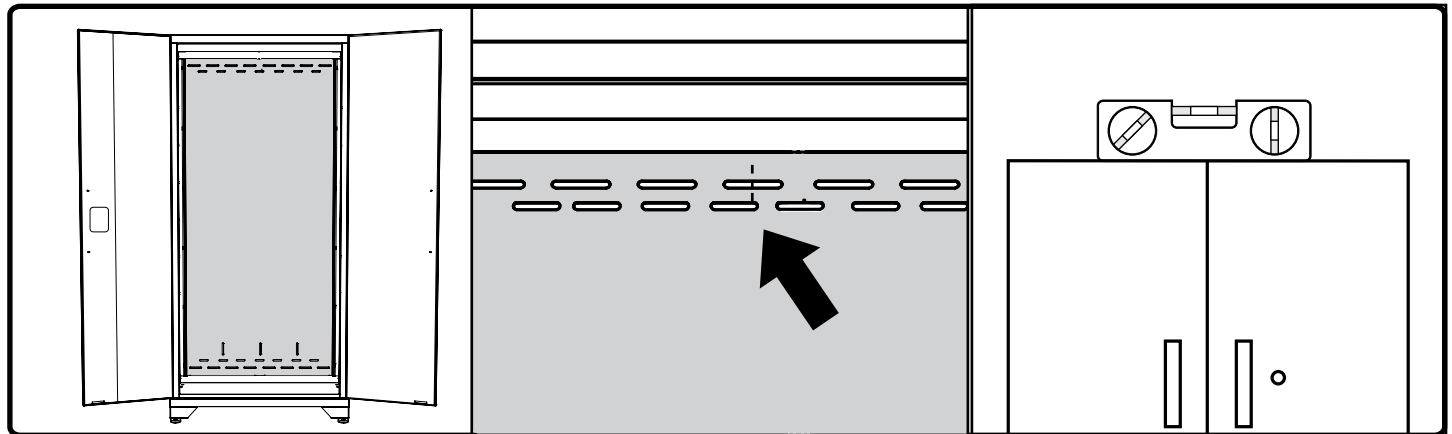
2 Gather parts.



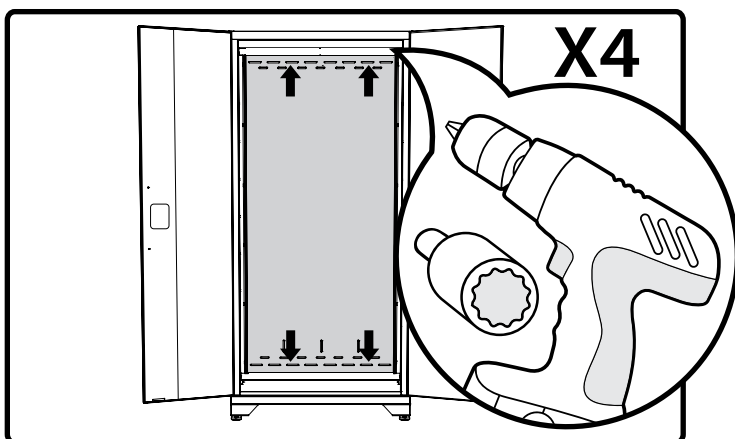
3 Place cabinet tight against the wall.

4 Align cabinet to stud marks.

5 Level cabinet



6 Drill 4 wall screws and washers through perforated holes into studs.



i Masonry.

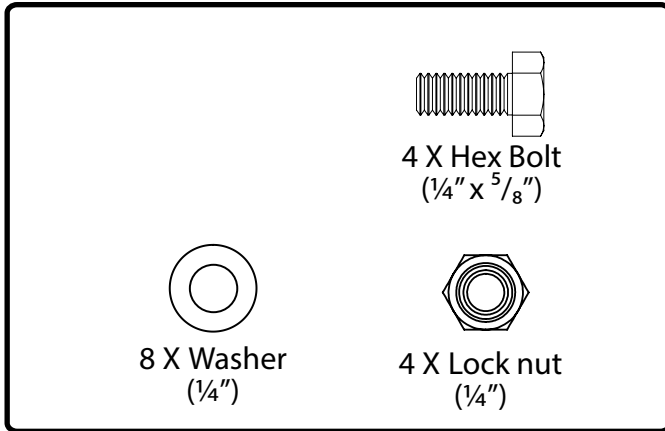
- Follow steps 1 to 6.
- Drill 4 pilot holes through the perforated strip with hammer drill & masonry bit.
- Use 4 x (2 1/4" x 1/4") Tapcon Concrete Anchor into wall.
- OR 4 x (#10 x 2") Screw with 3/16" masonry plug into wall.
- Follow Step 6.

Fastening Cabinets Together

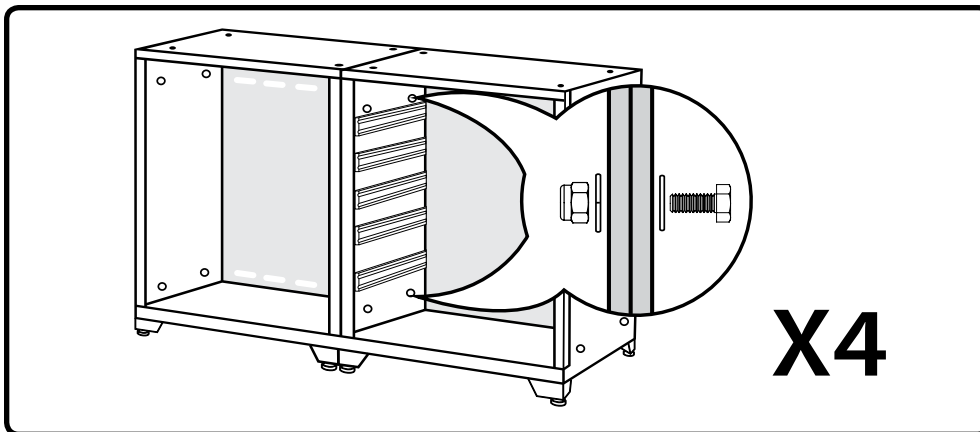
Note:

All drawers must be removed prior to fastening cabinets together. See [Page 29](#) for drawer removal instructions.

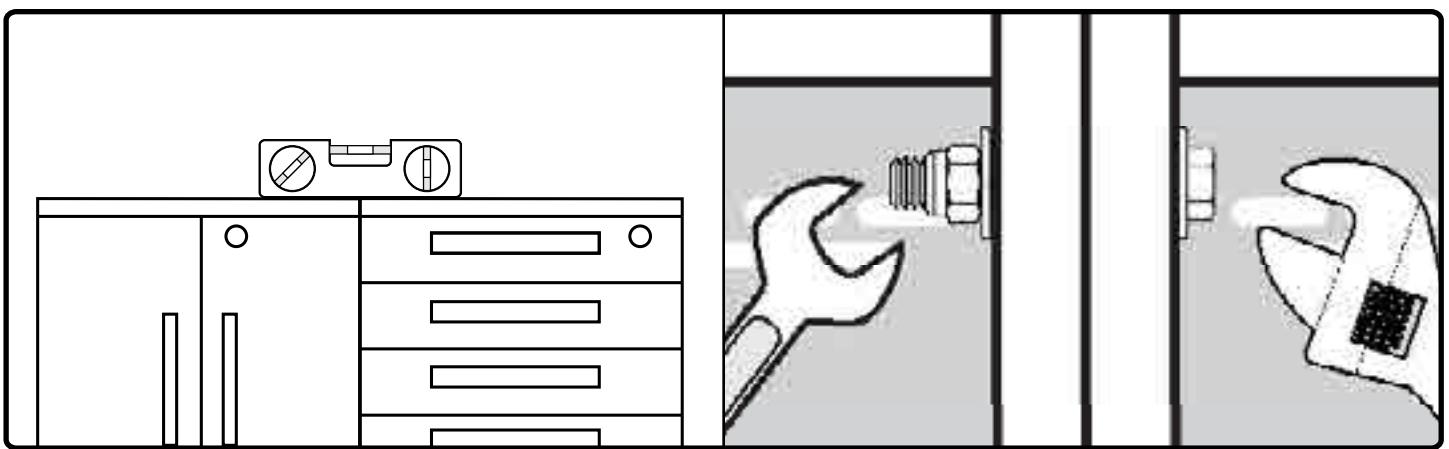
1 Parts Needed.



2 Align bolts, tighten lightly.

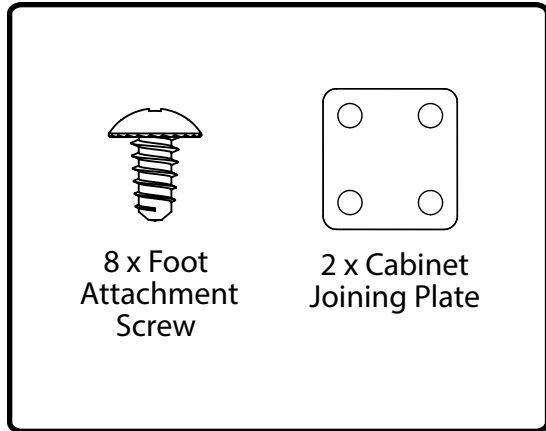


4 Level cabinets and tighten all bolts.

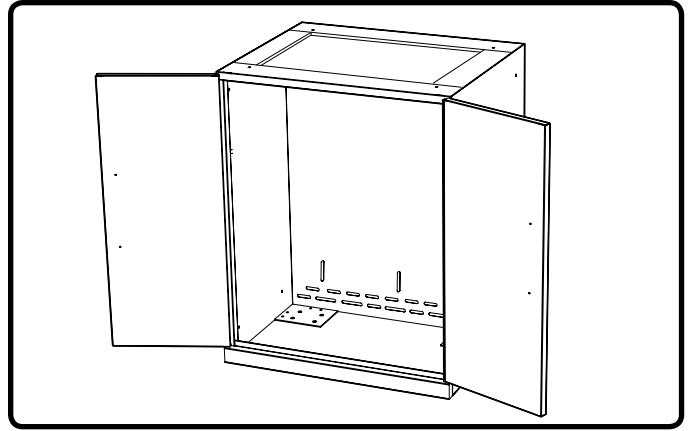


Fastening Cabinets with Casters

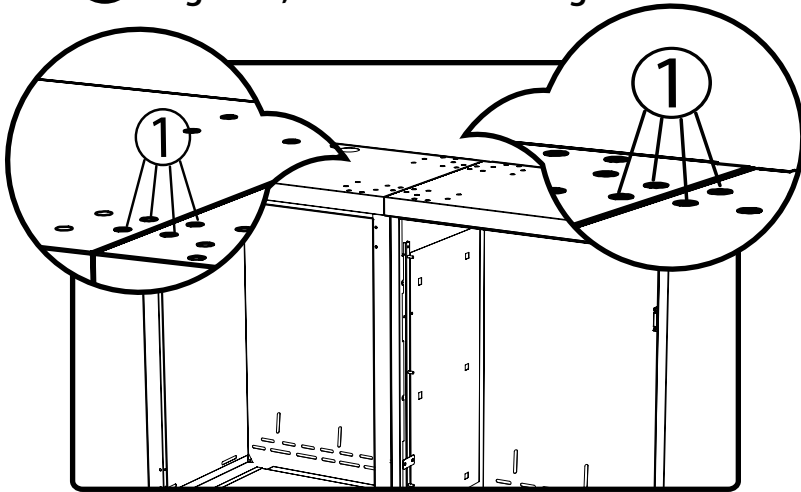
i Parts Needed.



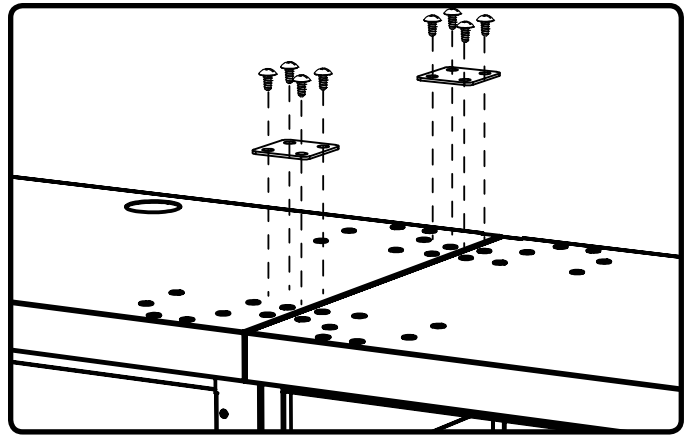
1 Open cabinets, remove any shelves, drawers or loose items.



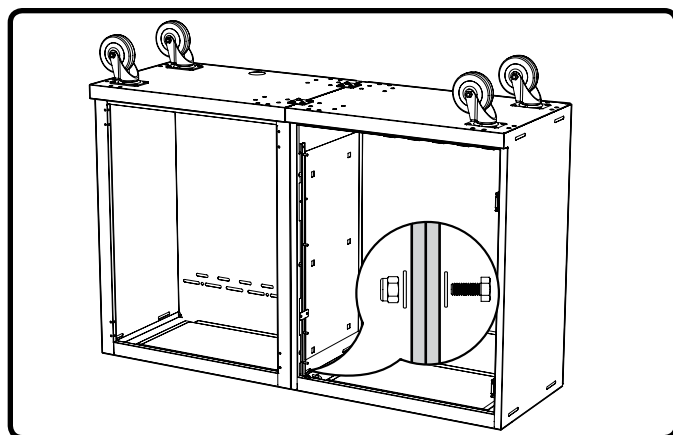
2 Flip cabinets and push sides together, locate holes on edges.



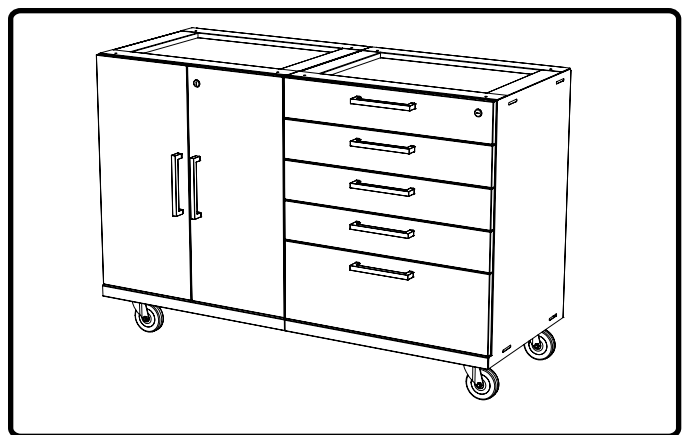
3 Align holes with joining plate and attach using foot attachment screws.



4 Attach casters and fasten cabinets together. See [pages 19 & 28](#).

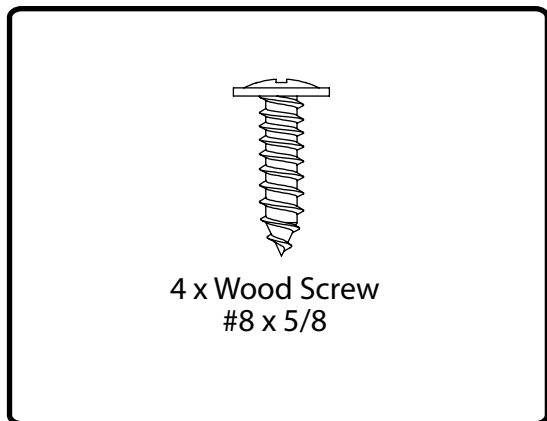


5

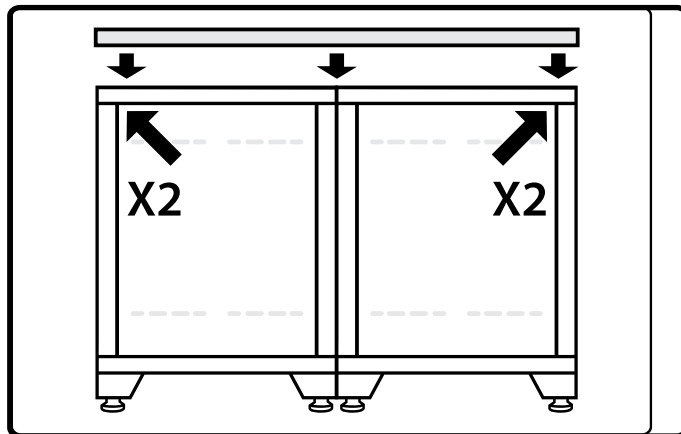


Mounting the Worktop

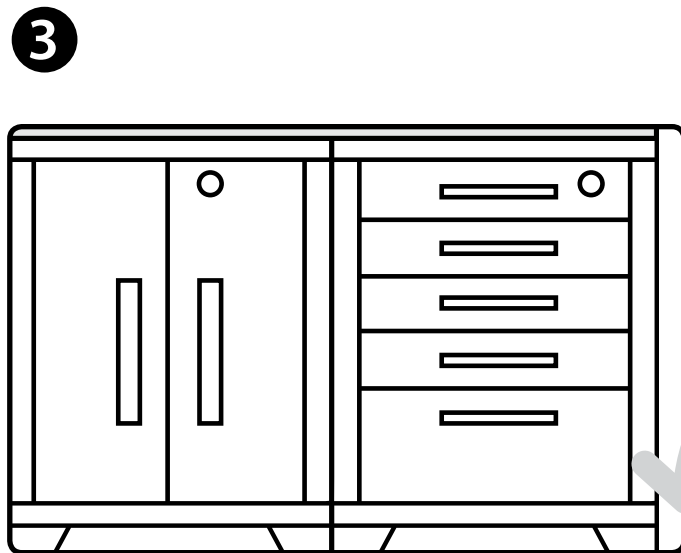
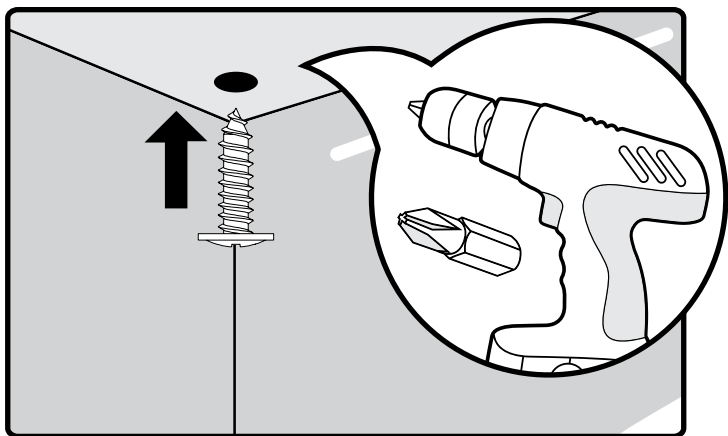
i Parts Needed.



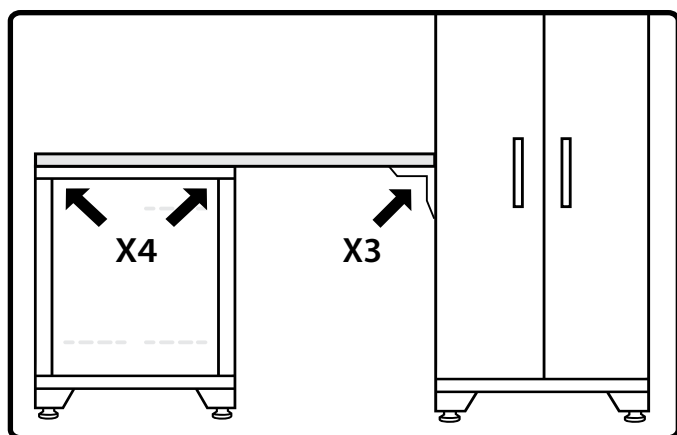
1 Place Worktop on cabinets. Locate the punch holes on the tops of the cabinets.



2 Drill into the worktop using the #8 x 5/8" wood screws.



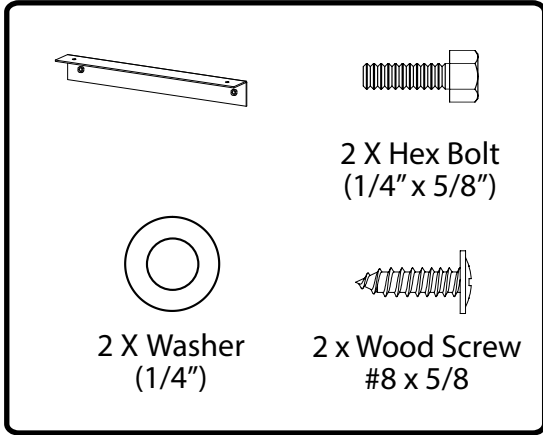
i Optional: For locker support bracket. See [Page 22](#).



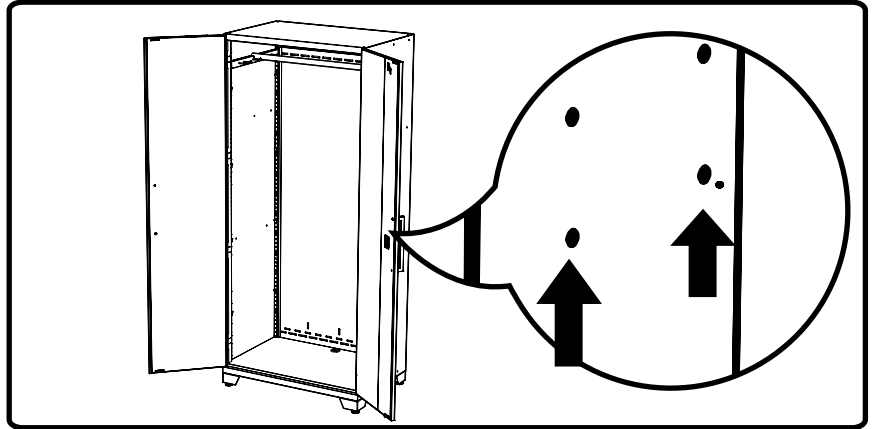
Installing Worktop Side Support Bracket

Note: Support Bracket included with Lockers
A support bracket is to be used if the worktop is added to the set without a secondary supporting base/tool cabinet.

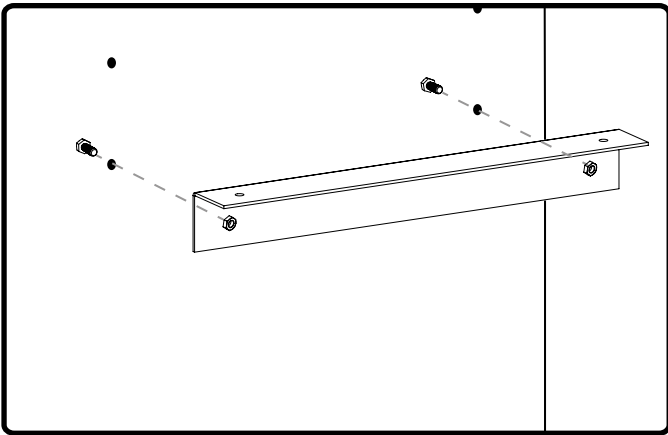
i Parts Needed.



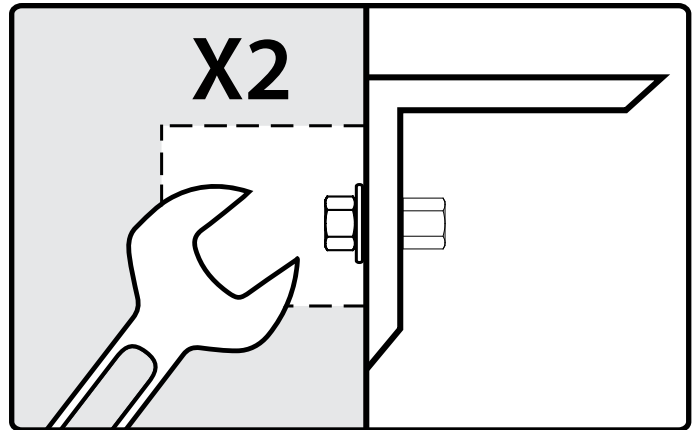
1 Open locker doors and locate holes on side panels.



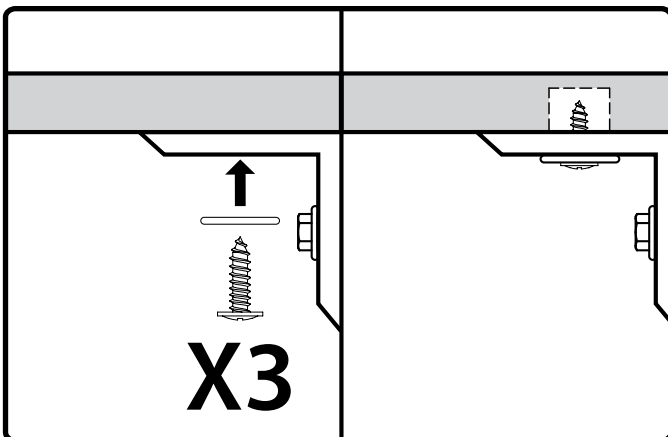
2 Align bracket holes with locker holes and insert hex bolts through holes.



3 Tighten nuts & bolts.

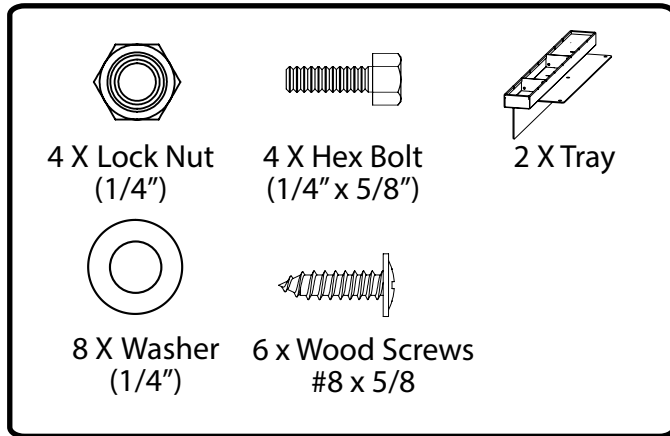


4 Use #8 x 5/8" wood screws and washers, provided in the locker packaging.

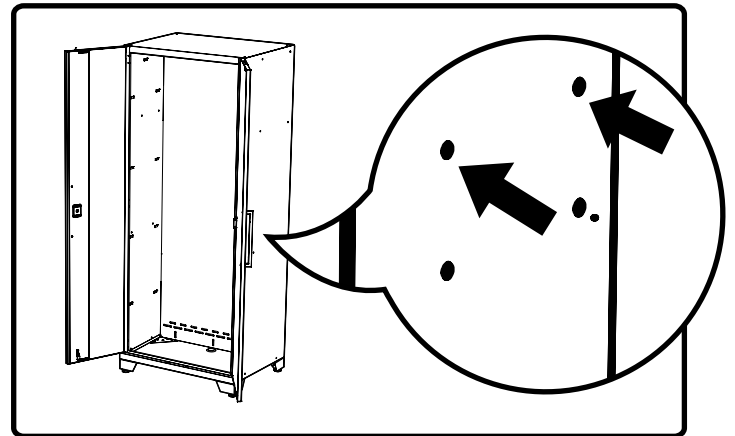


Installing Worktop Side Support Tray

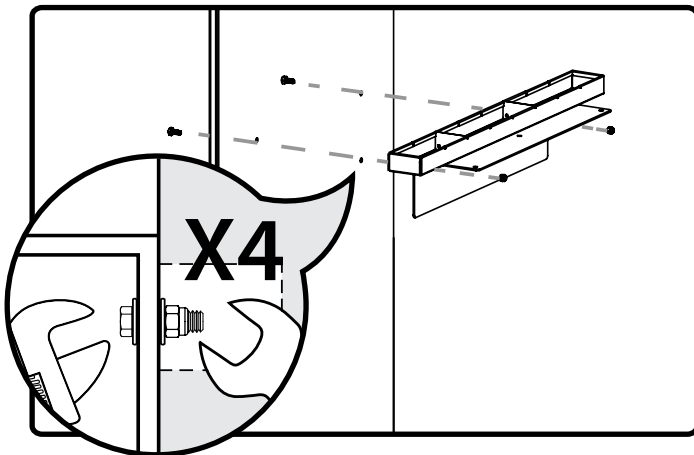
i Parts Needed.



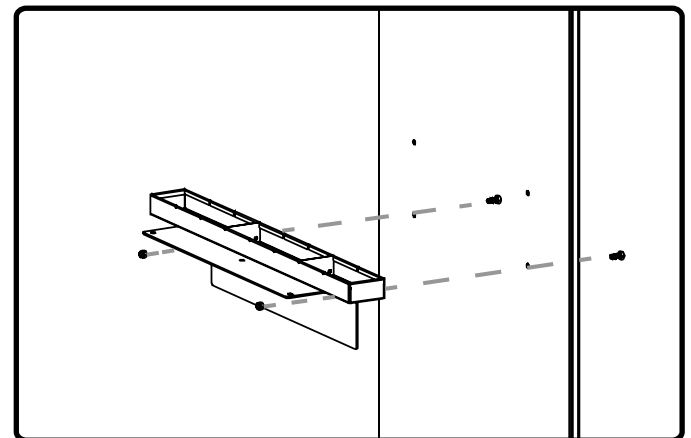
1 Open locker doors and locate upper holes on side panels.



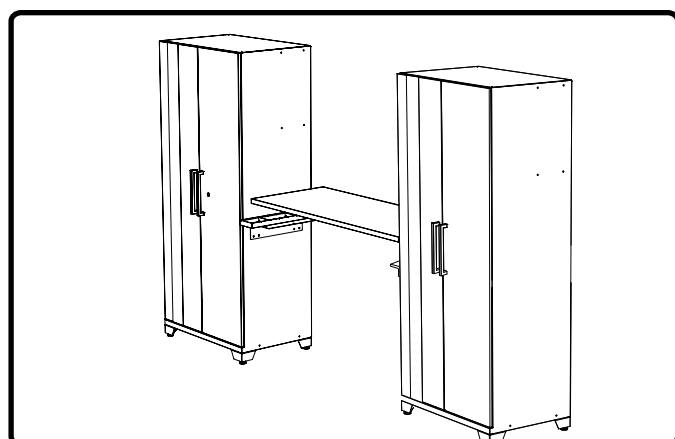
2 Align bracket holes with front or back of locker and insert hex bolts through holes.



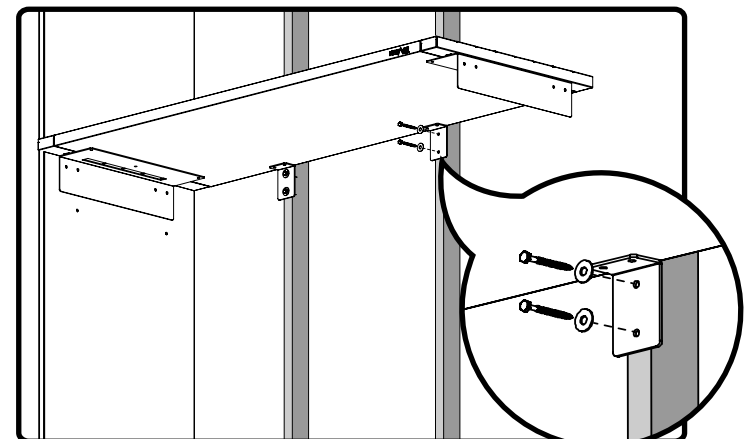
3 Repeat Steps 1-2 for 2nd side tray.



4 Lower worktop into position and attach using (6) - #8 x 5/8" screws.

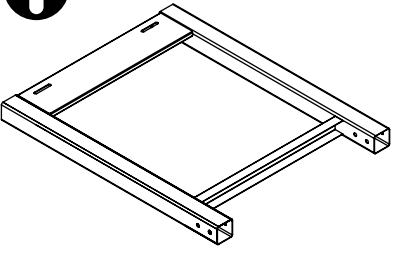


5 Install worktop wall supports in to the wall studs below the worktop using 2.5" lag screws with 3/16" pilot holes.

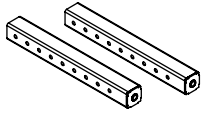


Installing Worktop Support Leg

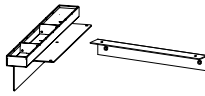
i **Parts Needed.**




Leg Assembly




2x Leg Post




Worktop Tray or Side Support (Sold Separately)




4x Washer (M8)



2x Hex Bolt (M8 x 60mm)

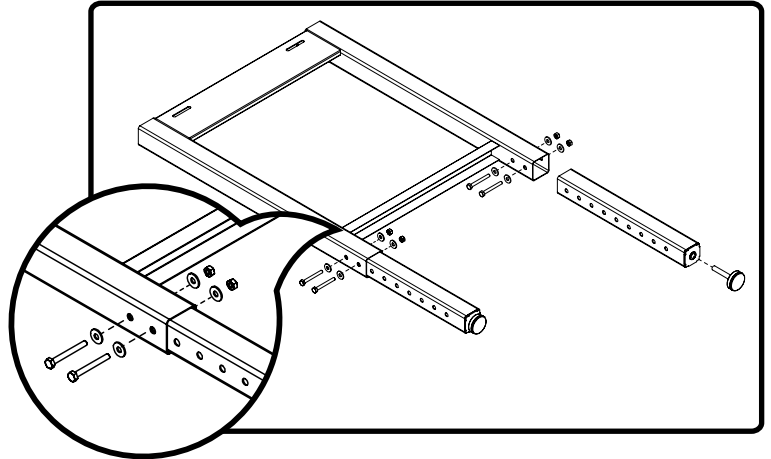


2x Lock Nut (M8)

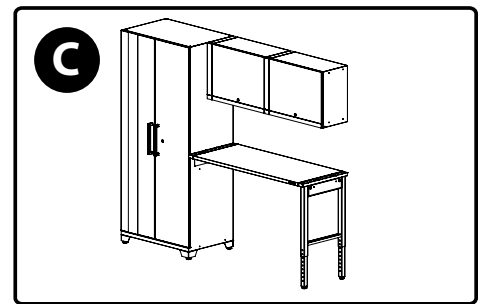
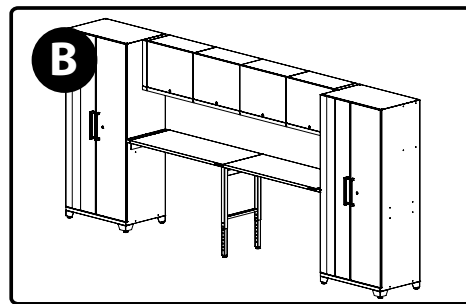
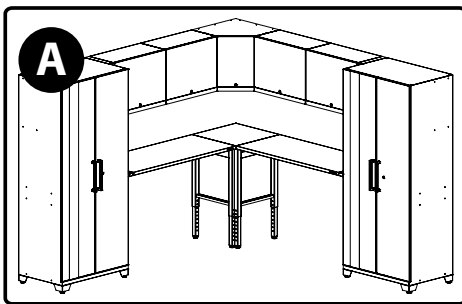


3x Woodscrew (#8 x 5/8")

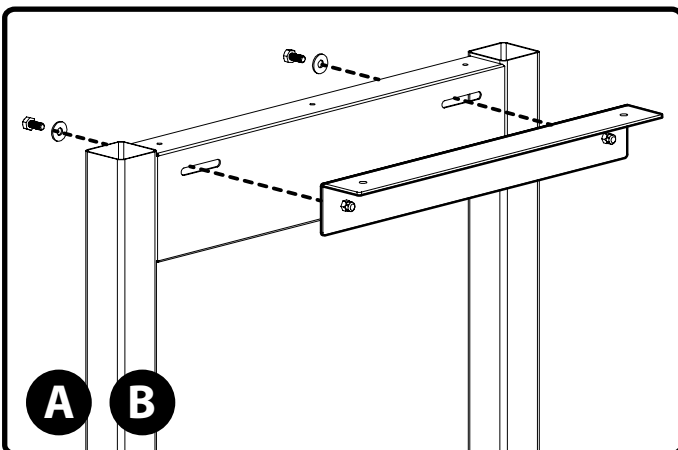
1 Insert threaded feet and adjustable leg posts at desired height and secure using M8 x 60mm bolts, nuts, and washers provided.



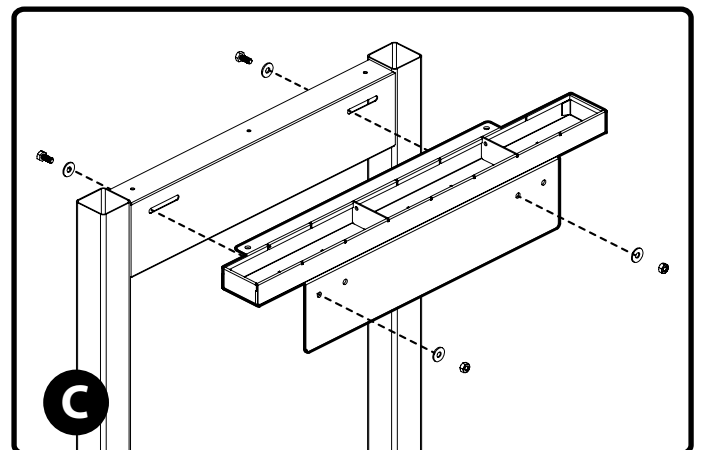
2 Determine the desired installation option A, B or C and attach Side Support Bracket or Spacer Tray to Worktop Support Legs.



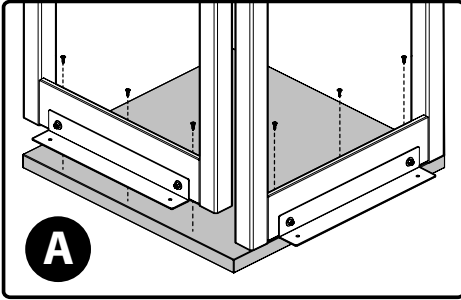
For installation option A or B, Attach Worktop Support Legs to side support bracket using 2x Hex Bolts (1/4" dia x 5/8") and washers.



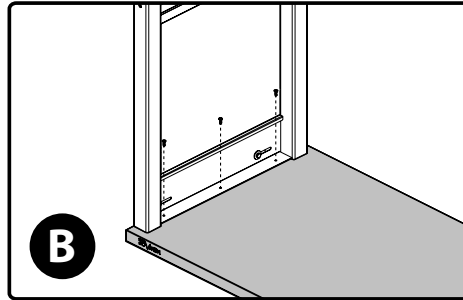
For Installation Option C, Attach Worktop Support Legs to Spacer Tray using 2x Hex Bolts (1/4" dia x 5/8"), washers, and lock nuts.



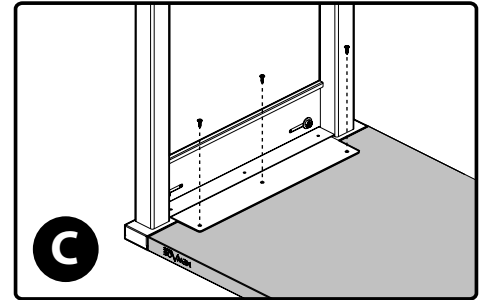
3 Attach the Worktop Leg Support to the Worktop using the #8 - 5/8" Philips Head Screws.



Installation option A:
Attach one Worktop Support Leg on each of the front edges on the Corner Worktop. The Worktop Support Legs should be flush along the sides and back of the worktop

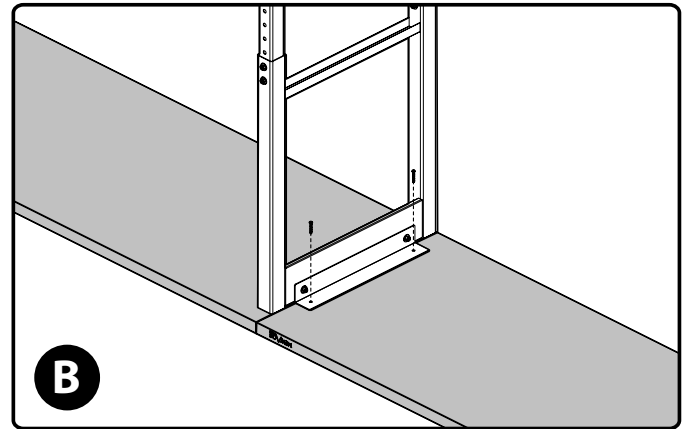
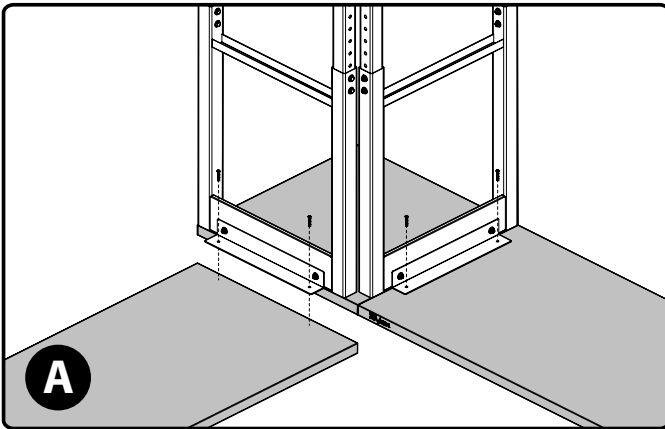


Installation option B:
Attach one Worktop Support Leg flush to the end of one of the two worktops.

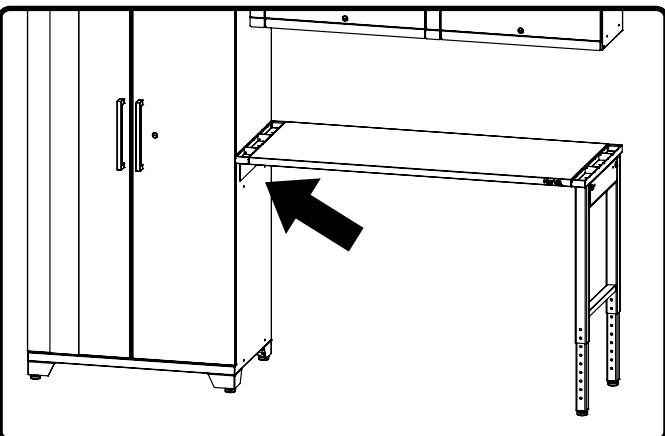


Installation option C:
Attach the Worktop Tray, flush with the end of the worktop.

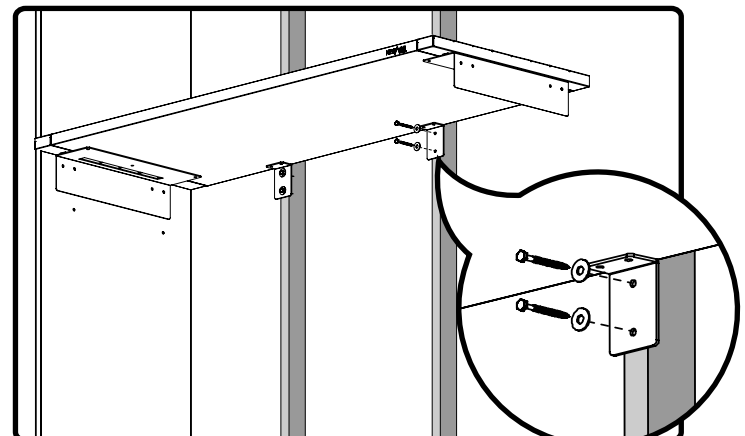
4 Rotate remaining worktops into position and attach worktop to the support bracket using #8 x 5/8" screws. If there are no additional worktops to install, proceed to Step 5.



5 Follow "Installing Worktop Side Support Tray" instructions on [page 23](#) to secure the other end of the worktop(s).

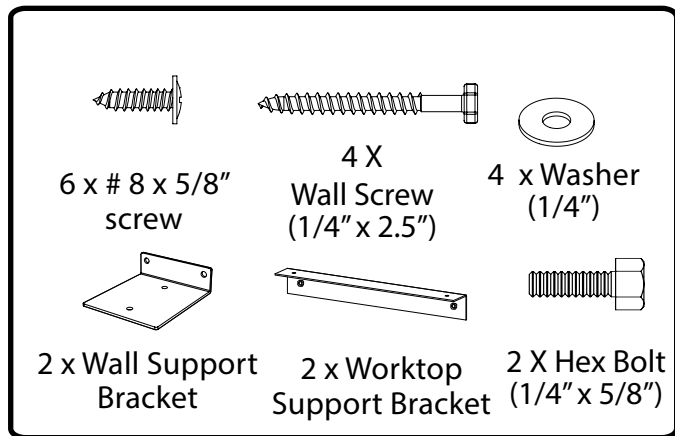


6 Install worktop wall supports into the wall studs below the worktop using 2.5" lag screws with 3/16" pilot holes.

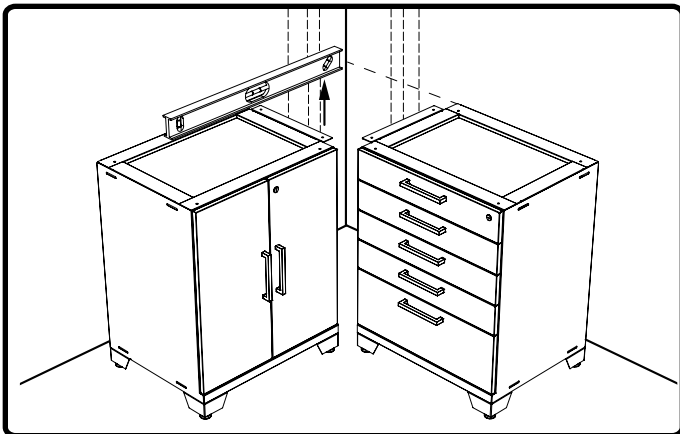


Installing Corner Worktop

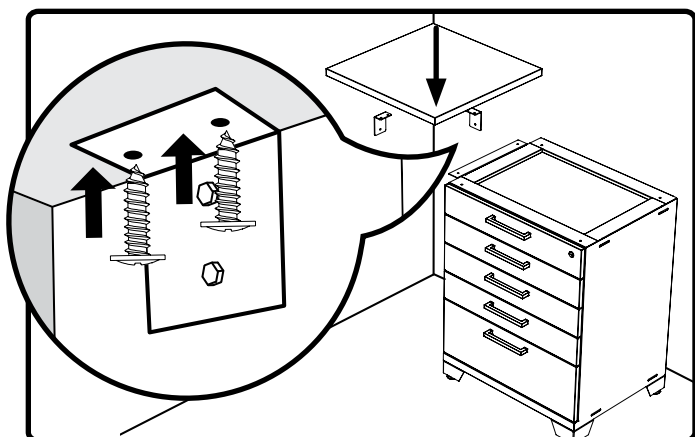
i Parts Needed.



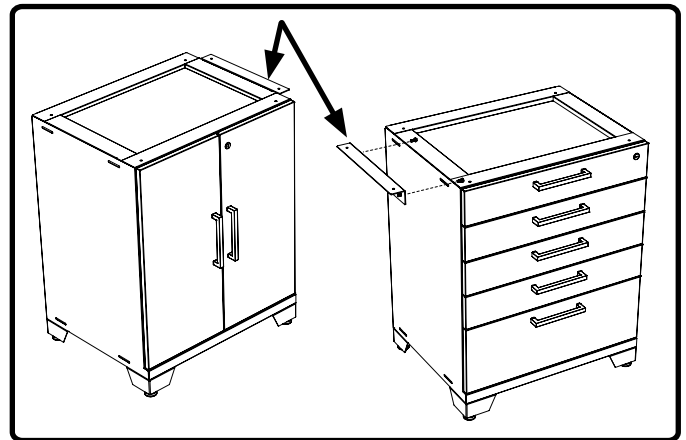
2 Position both cabinets in desired corner. Locate studs and mark a level pencil line at height of cabinets.



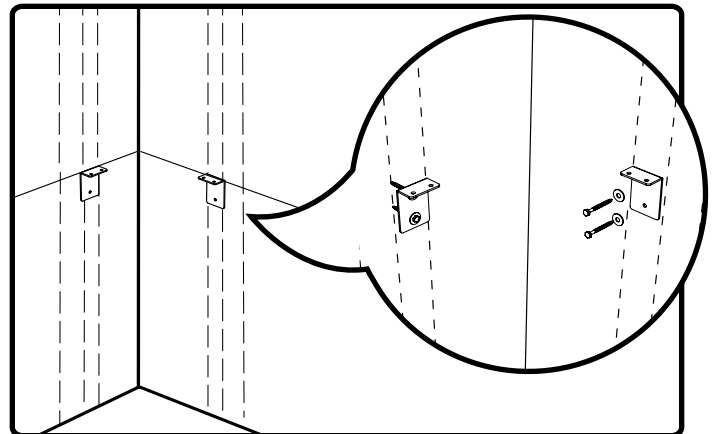
4 Position one cabinet into position and attach corner worktop to brackets.



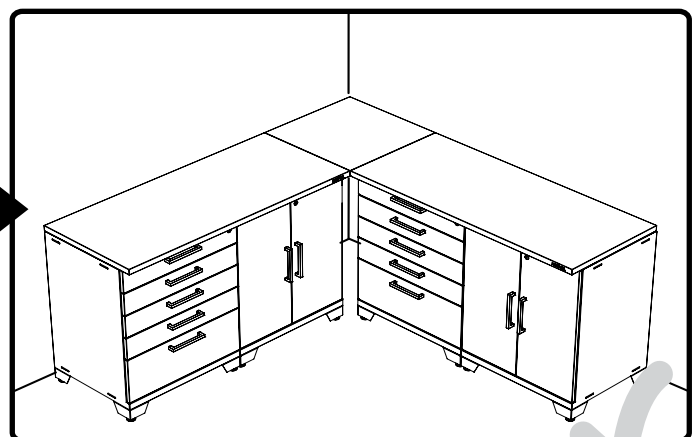
1 Install Side Support Brackets on the two base cabinets that will be adjacent to corner worktop. See Step 2 in side support brackets on [page 22](#).



3 Align top of wall support bracket with pencil line and using 2.5 lag screw attach corner wall support brackets into wall studs.

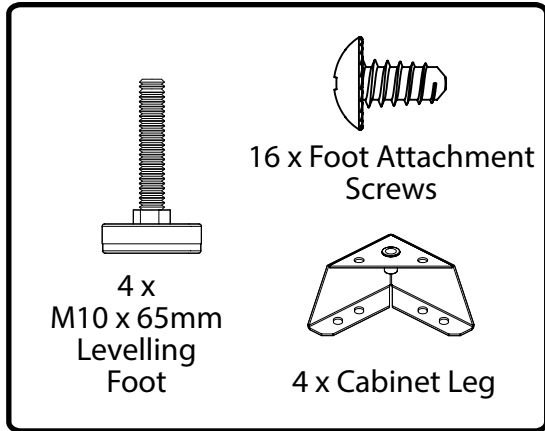


5 Attach remaining cabinets and countertops.

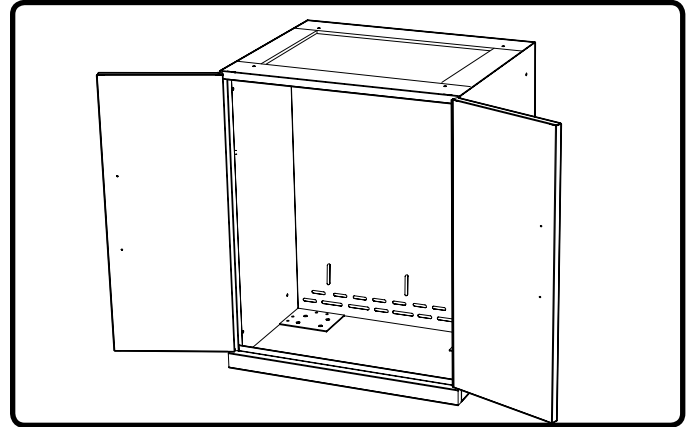


Installing Feet

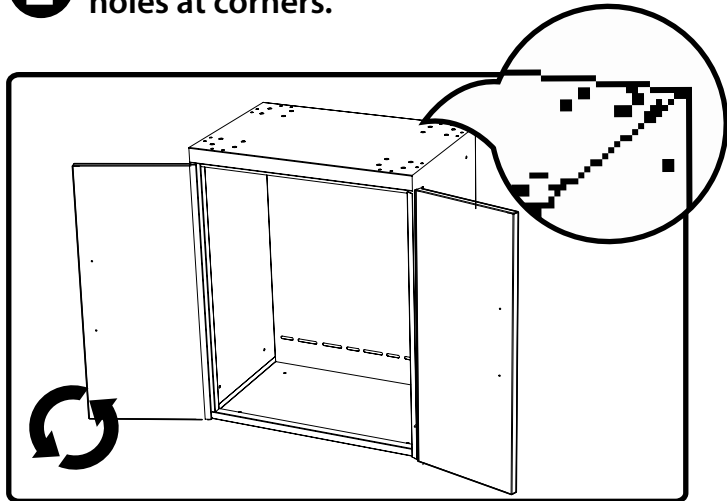
i Parts Needed.



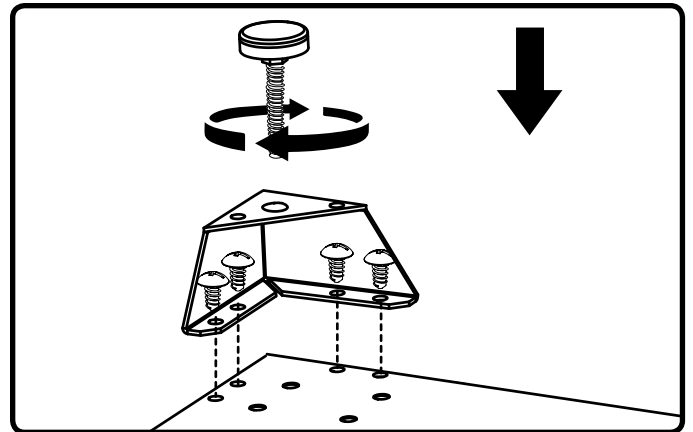
1 Open cabinet, remove any shelves, drawers or loose items.



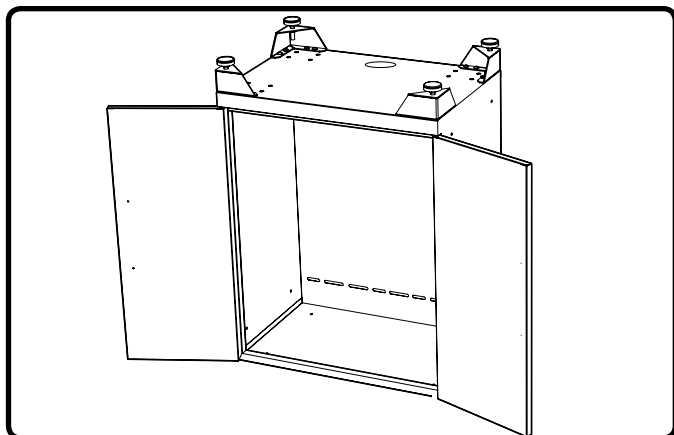
2 Flip cabinet upside down, locate holes at corners.



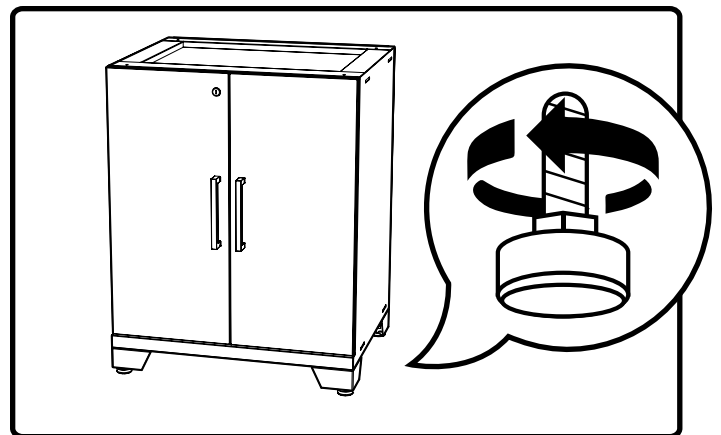
3 Align leg with edge of cabinet. Screw in 4 x Foot attachment screws & leveling foot.



4 Repeat steps 3 for each corner.



5 Stand & level feet.

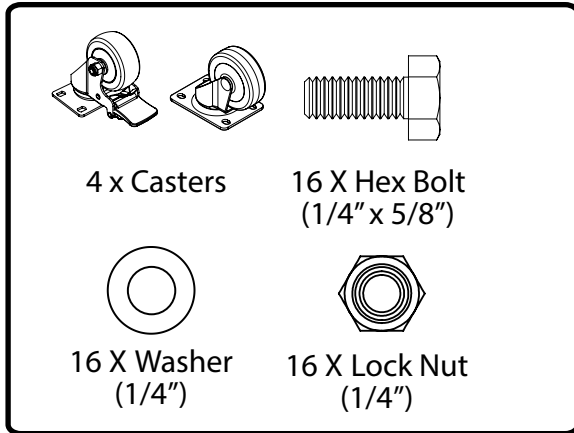


Installing Casters

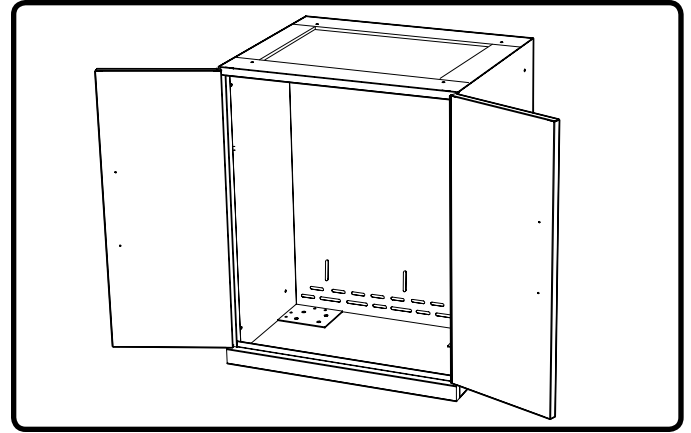
Note: Install casters with step brake on front side of cabinet.

Warning: Always lock casters when not in use.

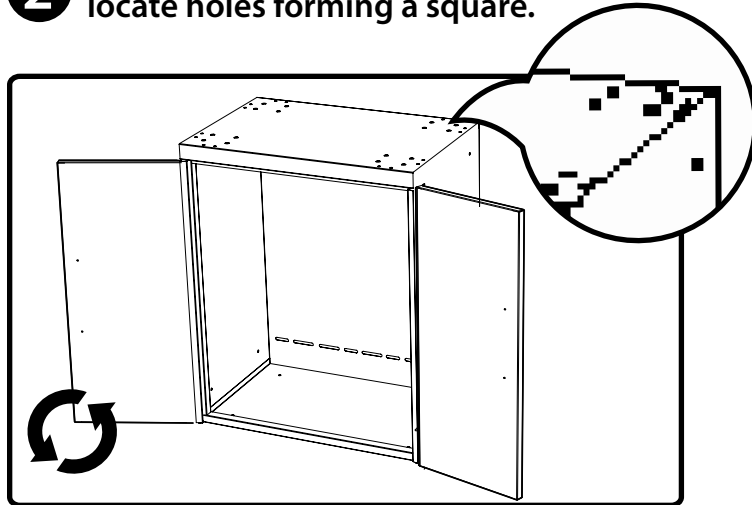
i Parts Needed.



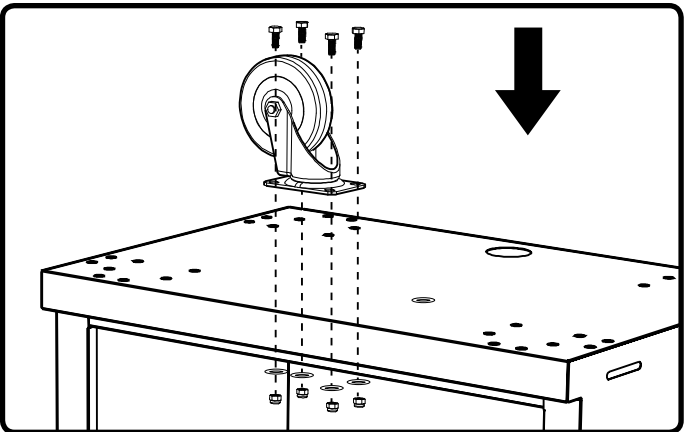
1 Open cabinet, remove any shelves, drawers or loose items.



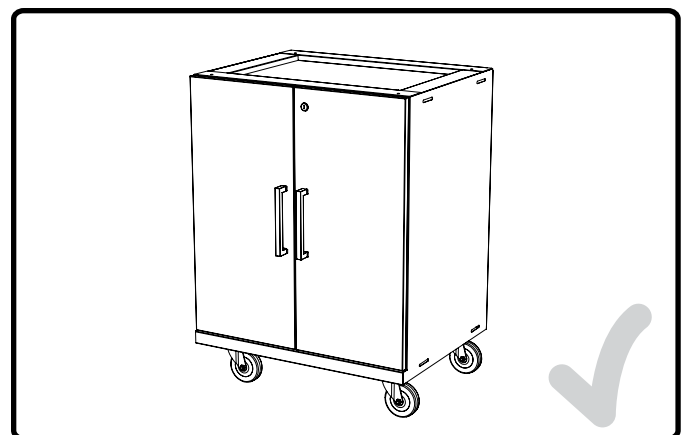
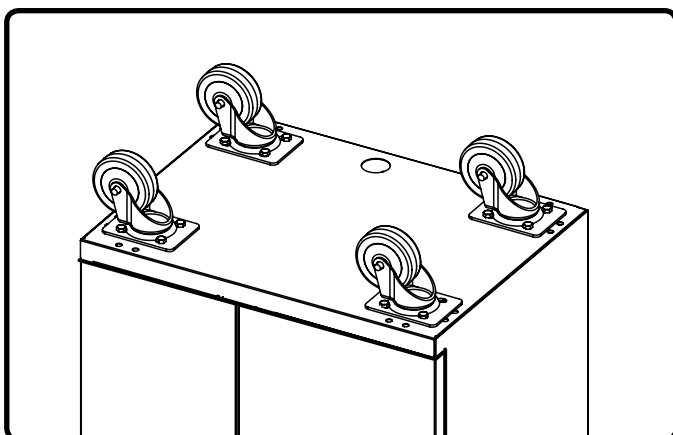
2 Flip cabinet upside down, locate holes forming a square.



3 Align caster with holes. Attach with 4 hex bolts, washers, and nuts.

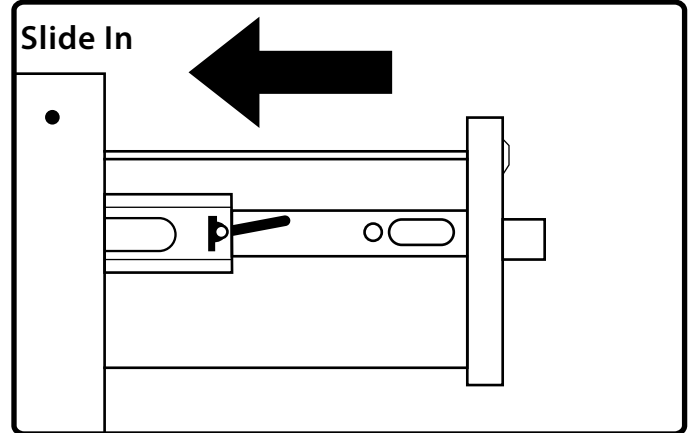
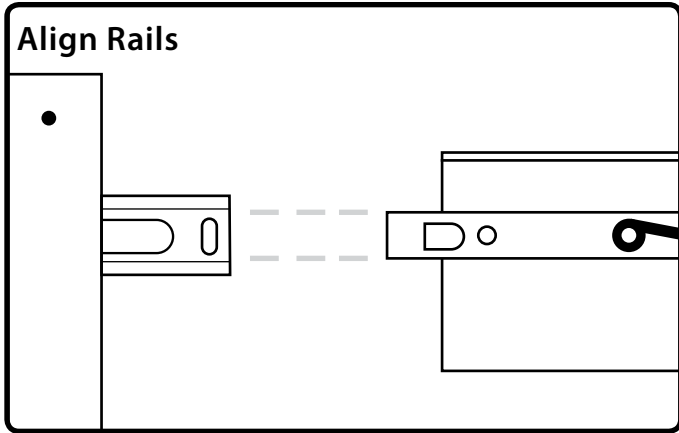


4 Repeat step 3 for each corner.

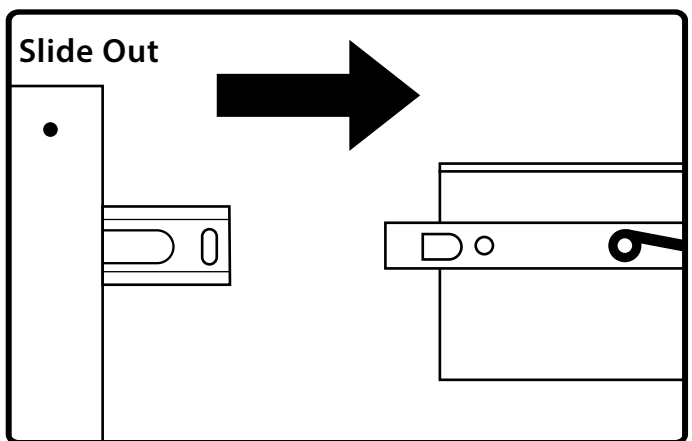
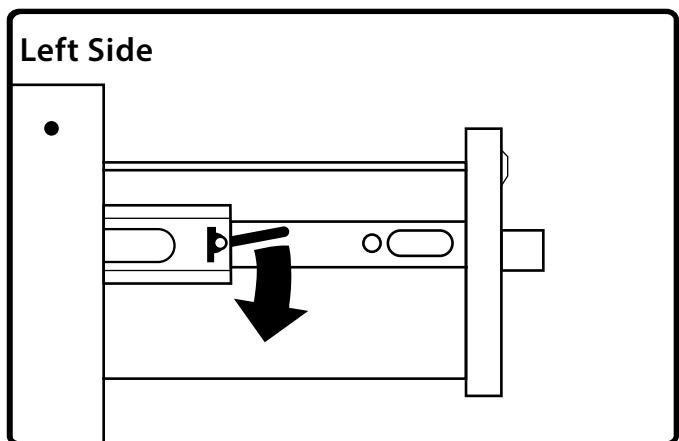
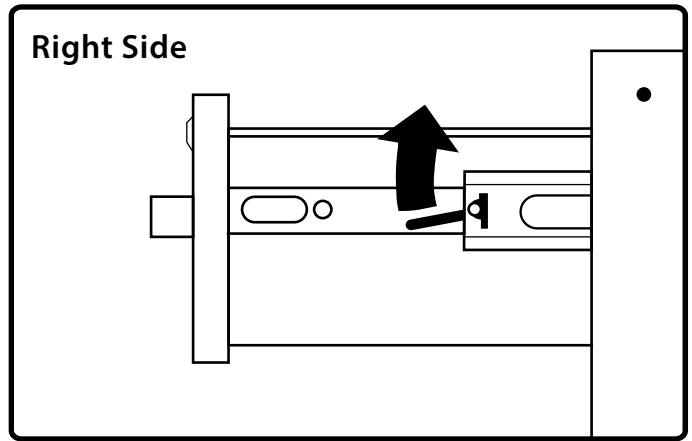
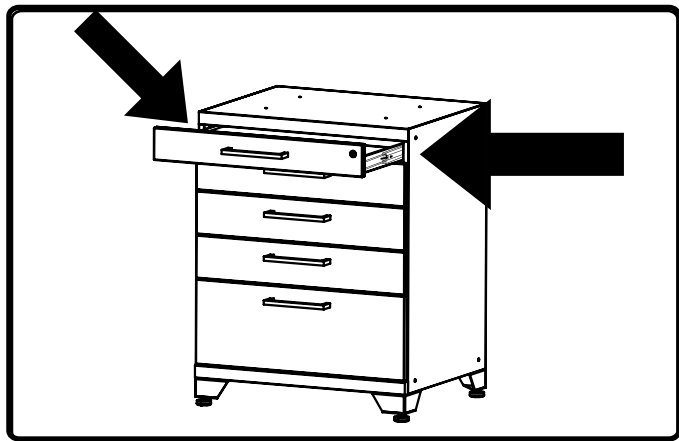


Installing the Drawers

Inserting Drawers.

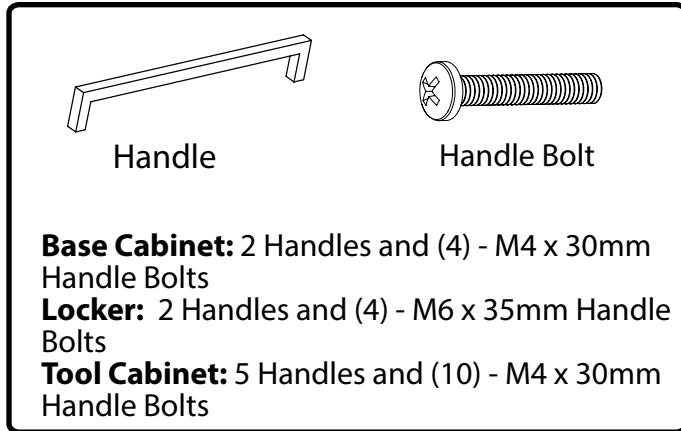


Removing Drawers.

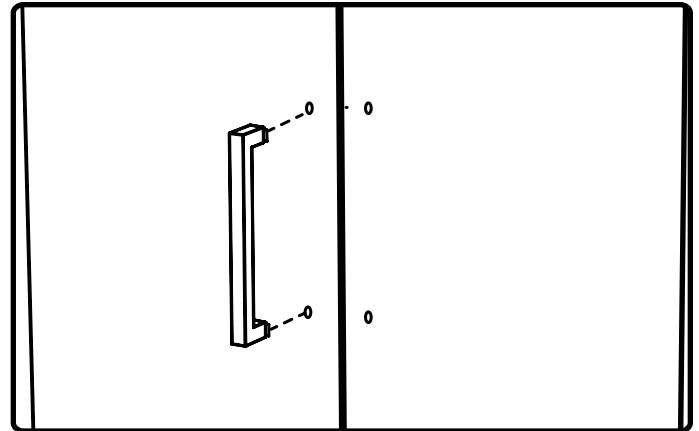


Installing Handles

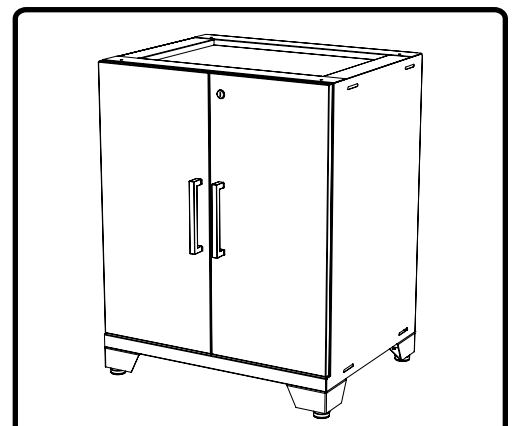
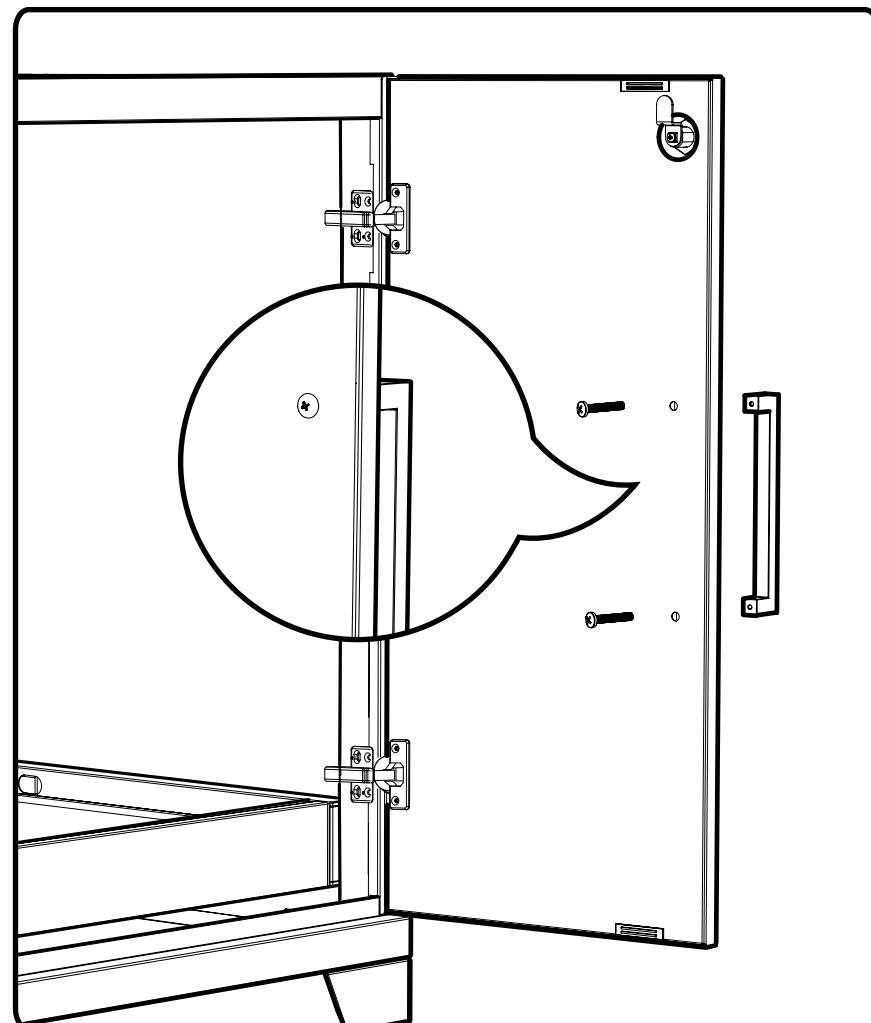
1 Parts Needed.



2 Align Handle to holes on doors or drawers.



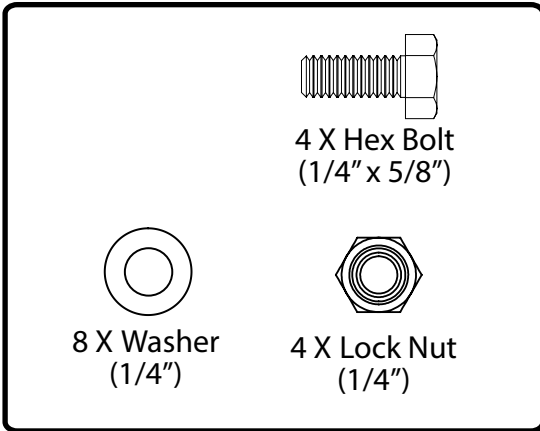
3 Screw in bolts.



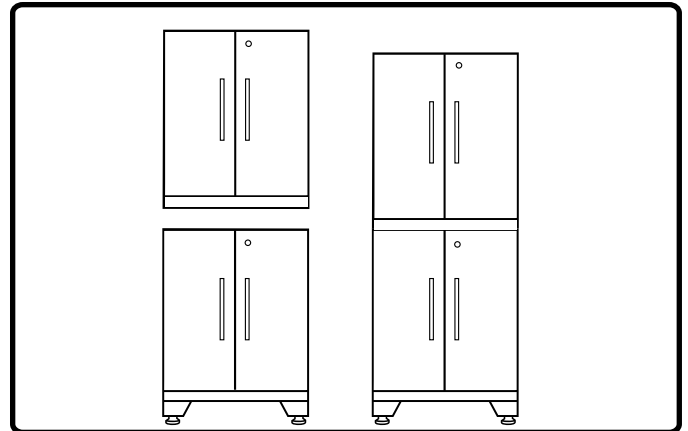
Stacking Cabinets

Note: Do not exceed weight capacity of feet.
See [page 5](#).

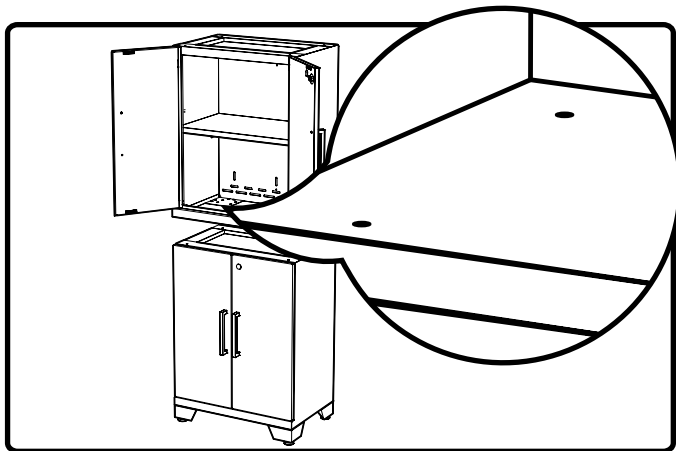
i Parts needed.



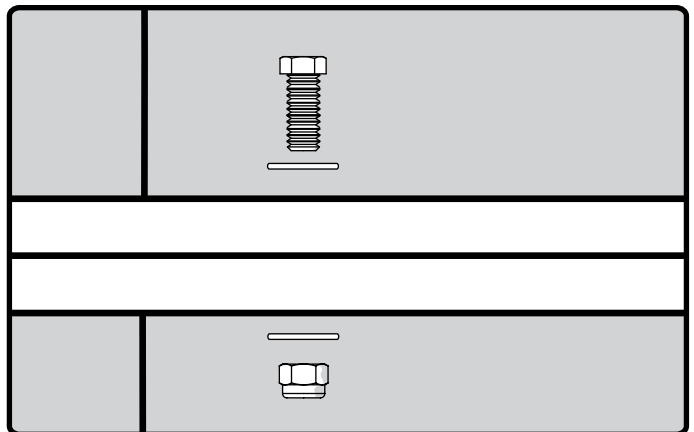
1 Position a second base cabinet on top of an existing base cabinet.



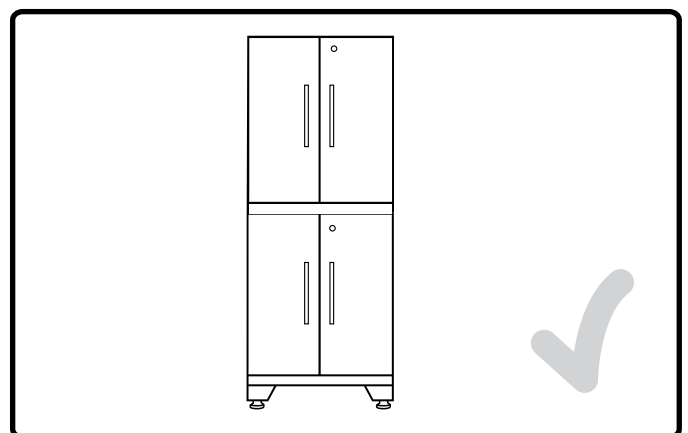
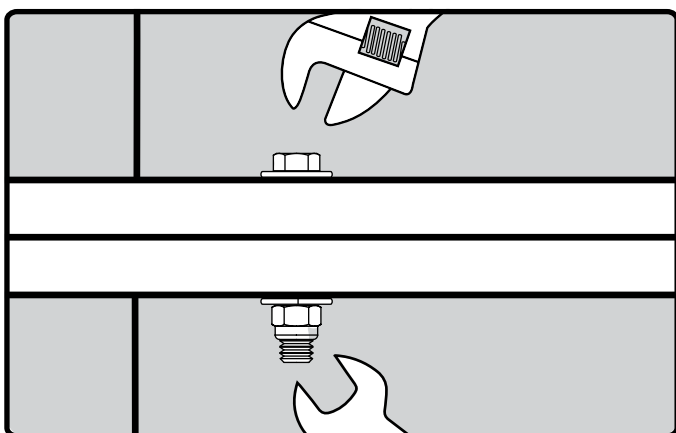
2 Locate punch holes on adjoining surface and insert bolts.



3 Attach cabinets using the supplied 1/4" x 5/8" hex bolts, washers, and nuts.

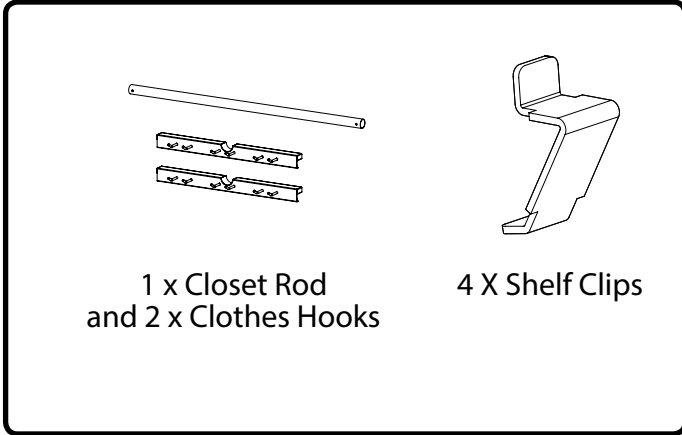


4 Tighten all bolts.

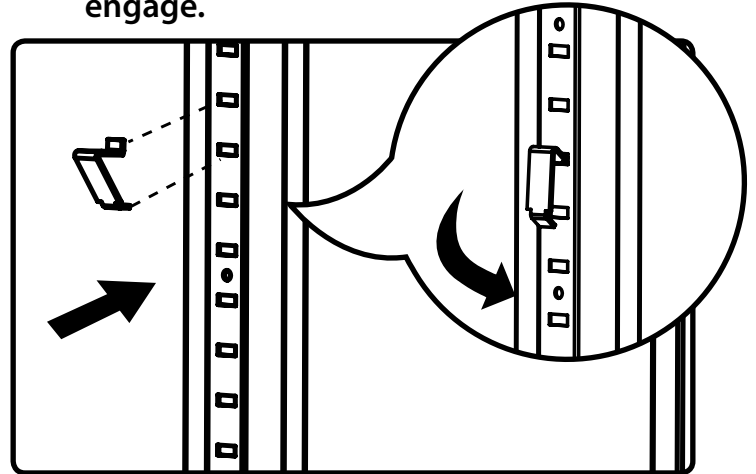


Inserting Locker Utility Rod and Hangars

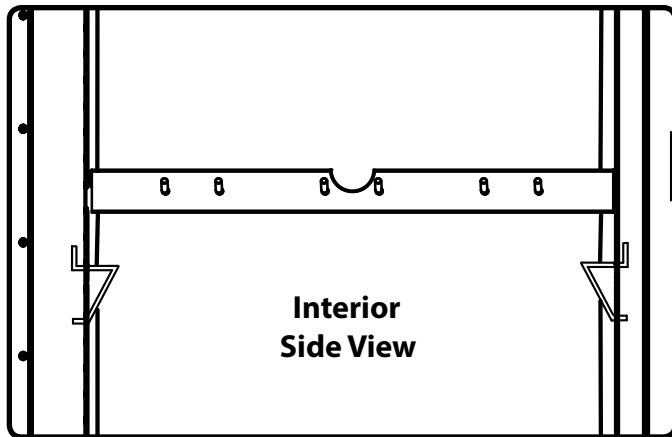
1 Parts needed.



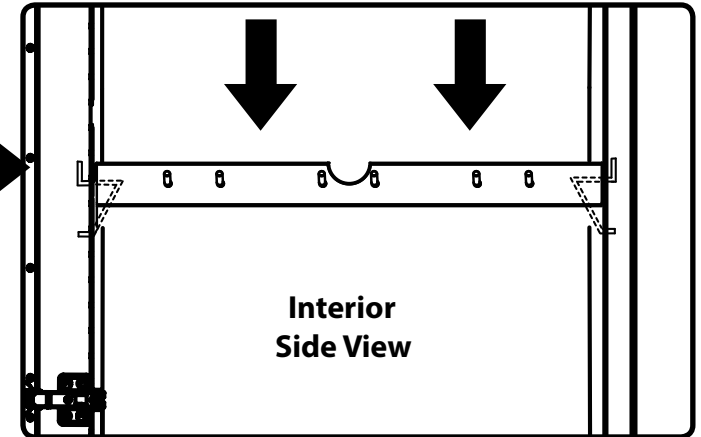
2 Open cabinet doors and insert shelf clips into slots in corners. Rotate to engage.



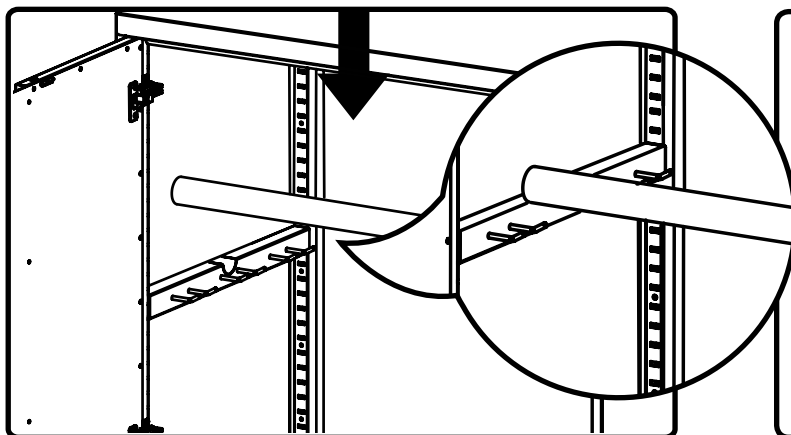
3 Place clothes hook against locker wall above supports.



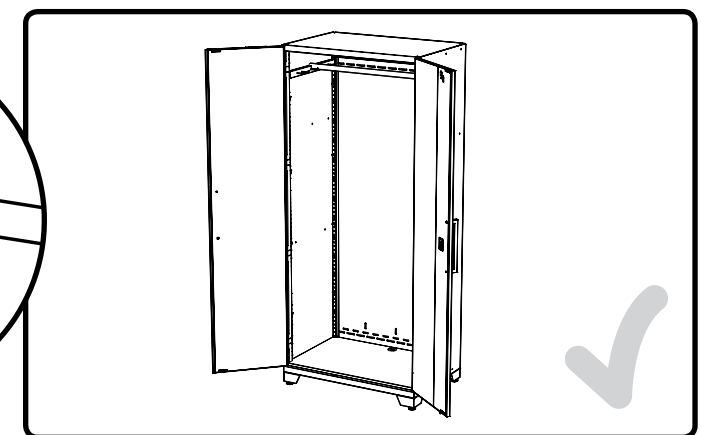
4 Ensure rear flange slides down behind clips and that the bracket is secure. Repeat steps 1-4 for second hooks.



5 Lower closet rod into cradle.

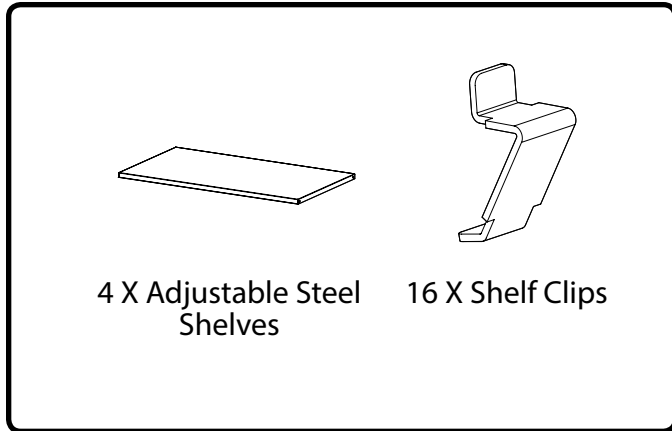


6

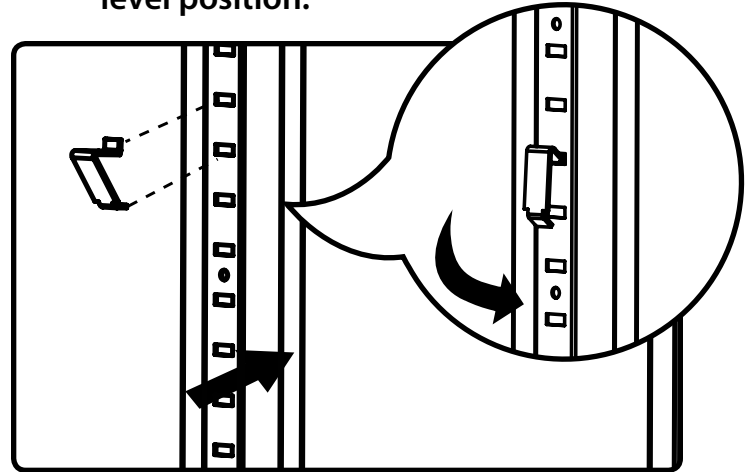


Inserting Cabinet Shelves

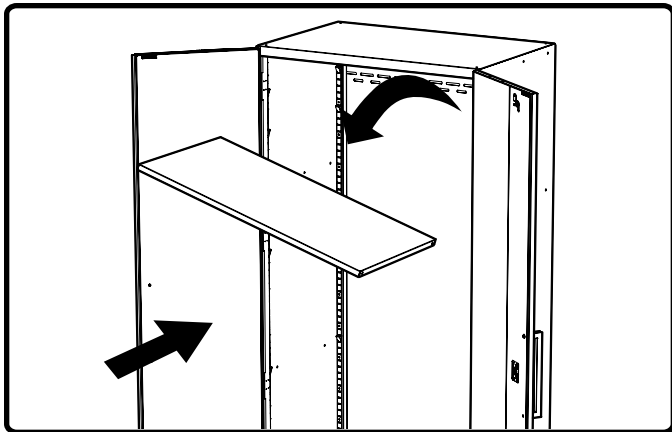
1 Parts Needed



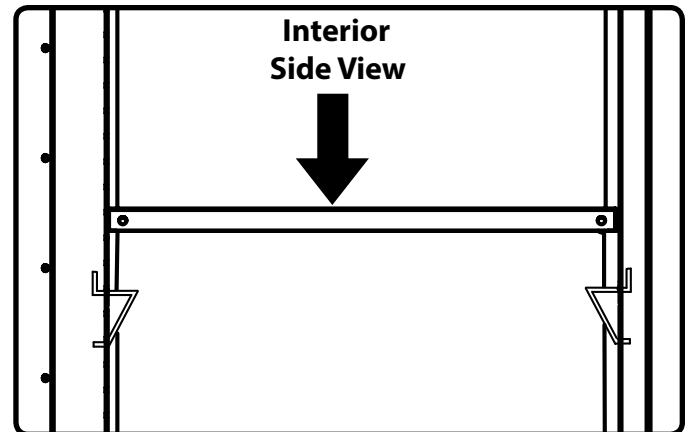
2 Open cabinet doors and insert shelf clip on slight angle and rotate to level position.



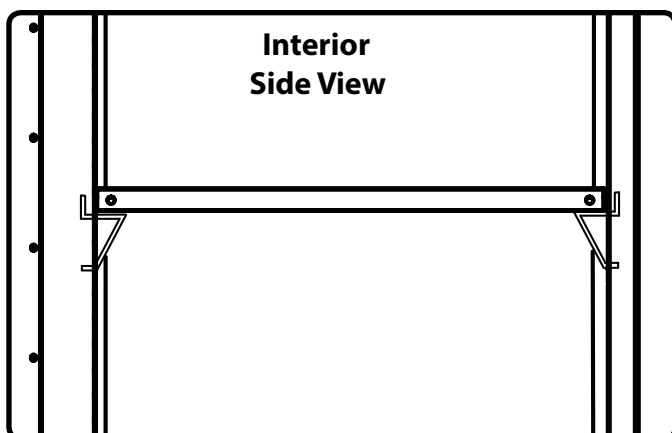
3 Insert shelf on a angle and rotate to level position.



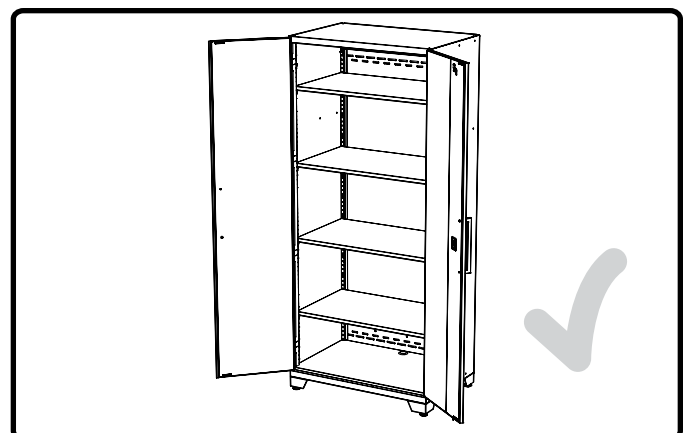
4 Lower shelf onto shelf clips.



5 Rest shelf on shelf clips.

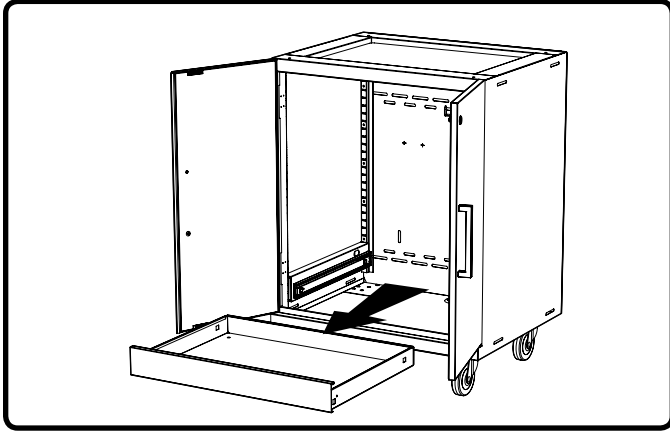


6 Insert remaining shelves.

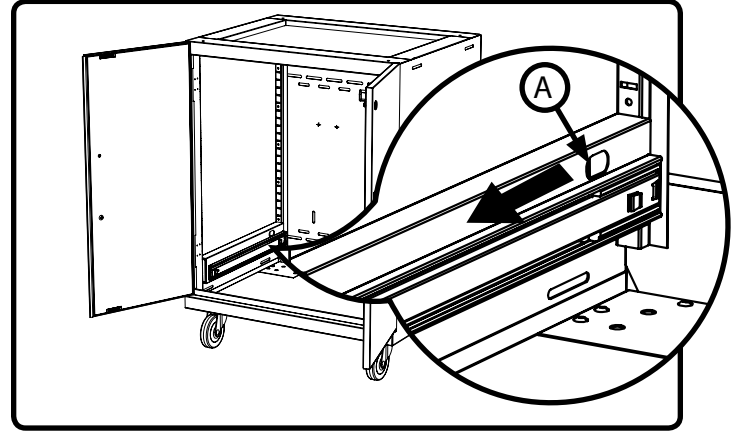


Adjusting Base Cabinet Pullout Shelf

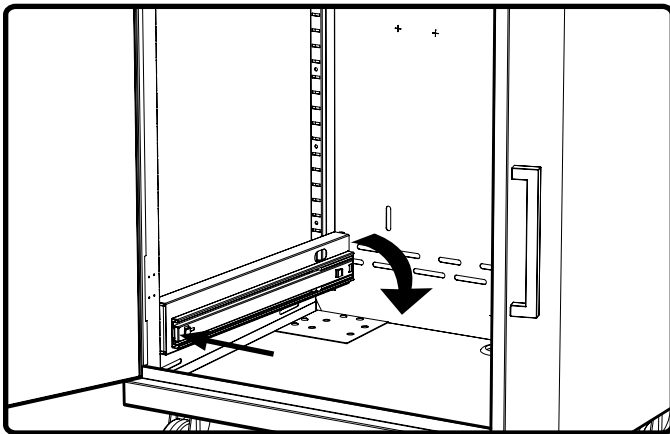
- 1** Remove Pull-out shelf following instructions for removing drawers on [page 29](#).



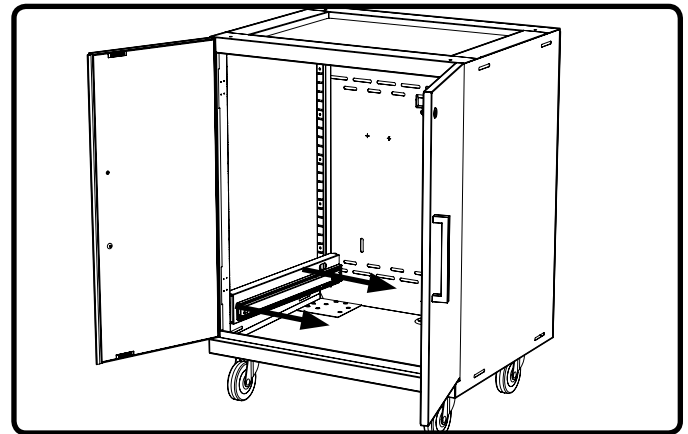
- 2** Locate hole (A) in drawer slide. Using finger depress and hold spring loaded button.



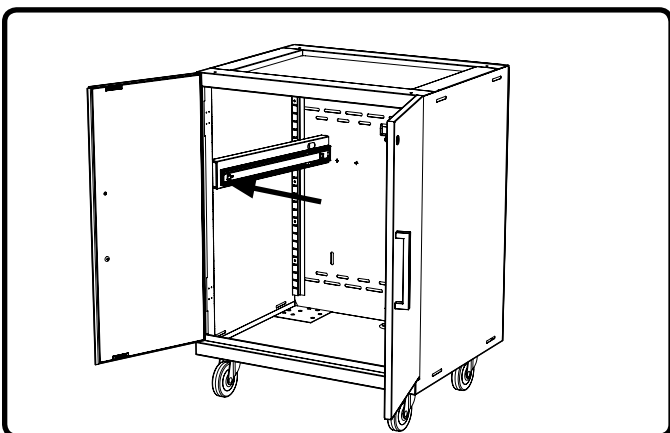
- 3** Swing drawer slide out from back of cabinet.



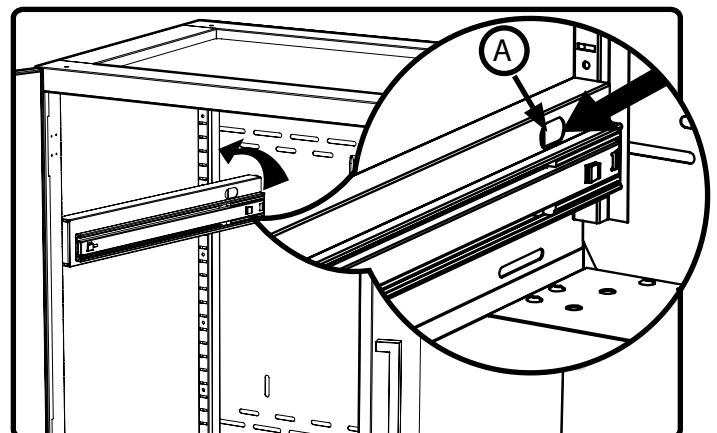
- 4** Pull drawer slide out and away from cabinet wall and move to desired height.



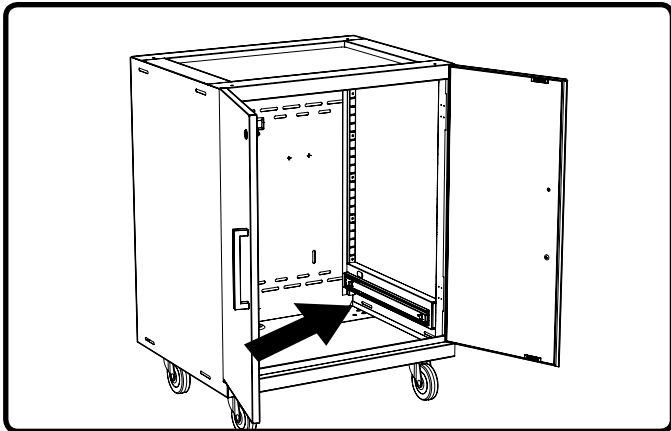
- 5** Insert drawer slide beginning at front. Ensuring the tabs in slide mount in slots on cabinet frame.



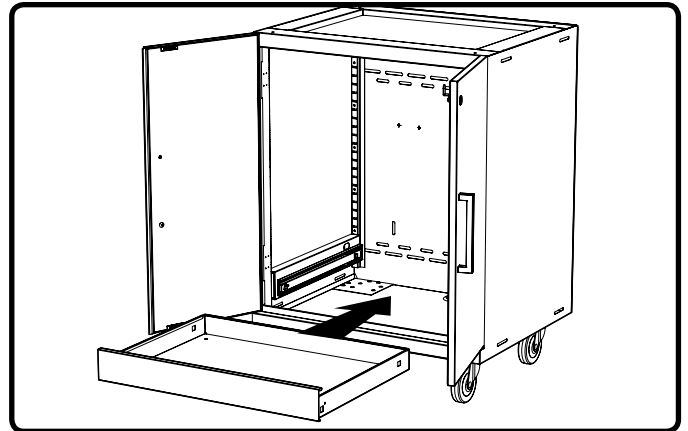
- 6** Swing drawer slide in at back of cabinet and release spring loaded button (A) ensuring it locks in place



7 Repeat steps 2 - 7 for 2nd slide mount.

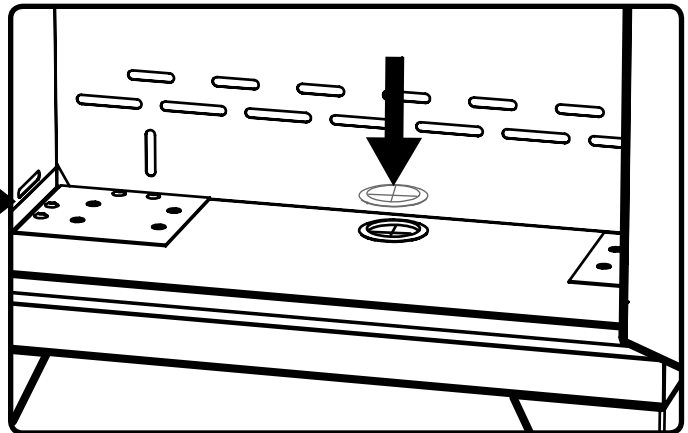
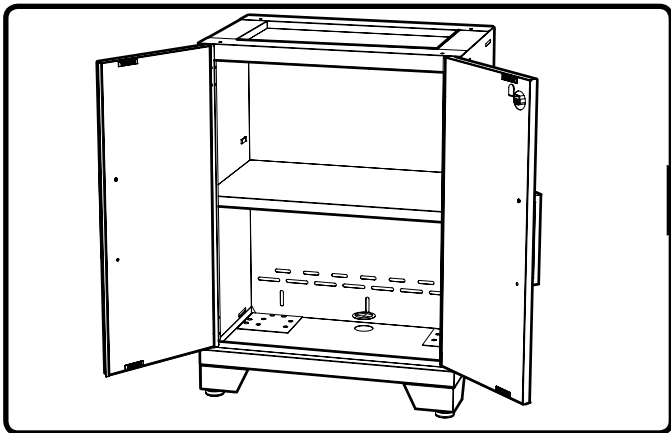


8 Reinstall Pull-out shelf following steps from [page 29](#).

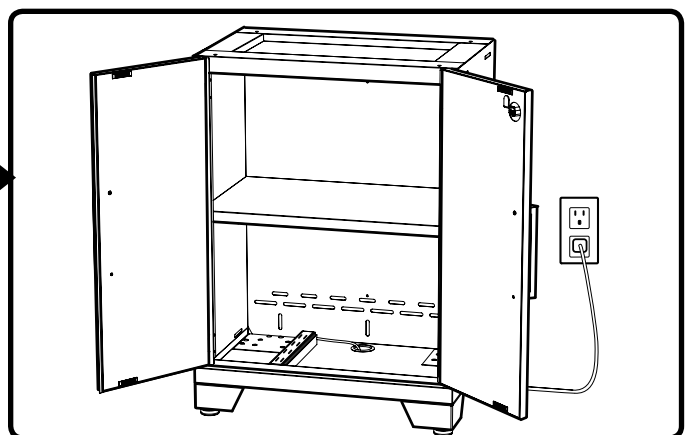
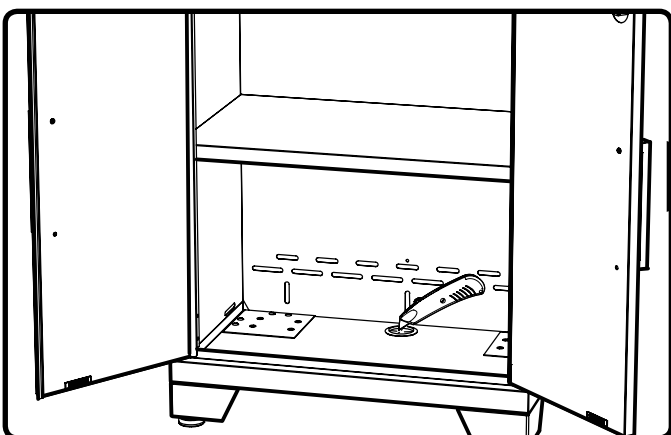


Utility Access

1 Insert rubber grommet into cut-out hole in bottom panel.



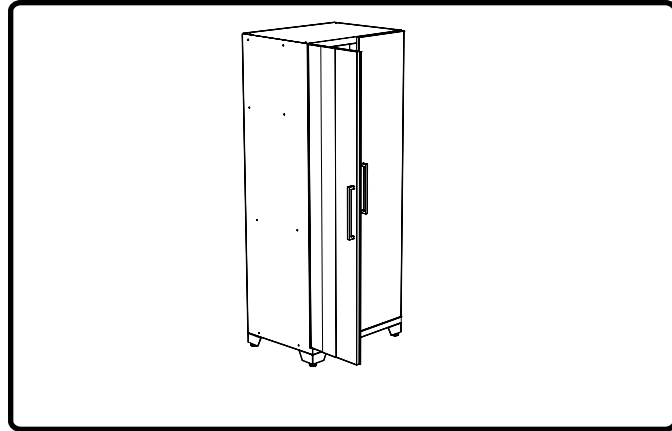
2 Using box knife cut along perforation in rubber grommet to create hole. Utility hole allows easy access to electrical outlet.



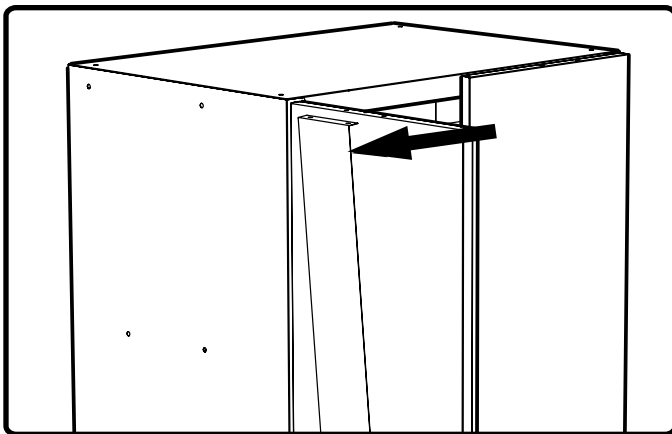
Magnetic Racing Stripe

Note: Racing stripe not available for Diamond Plate doors.

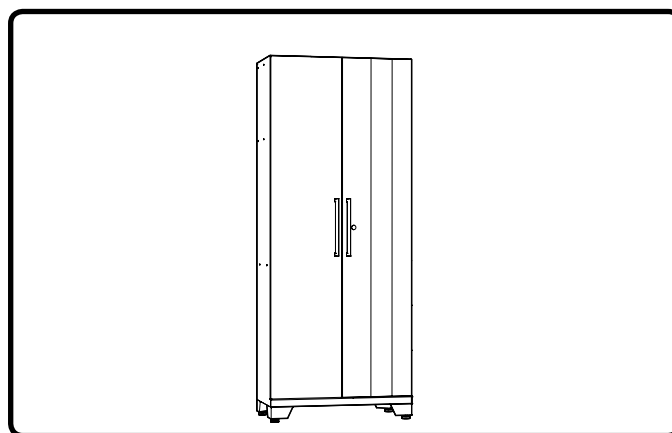
i The Racing Stripe can be installed on either door of locker. To remove stripe follow steps 1-3.



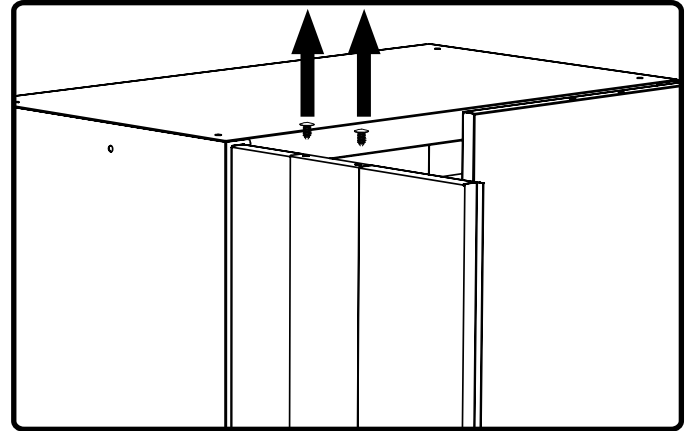
2 Tilt stripe off top of door.



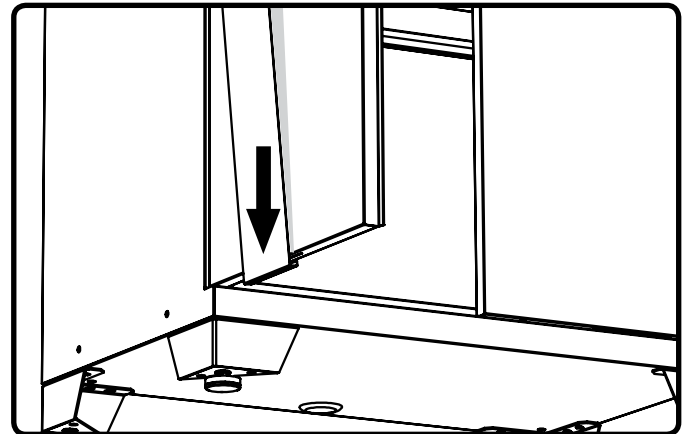
4 Attach Racing Stripe on opposite door following reverse order.



1 Remove the 2 plastic plugs holding in the racing stripe at the top of door.



3 Lower and remove from slot on bottom of door.

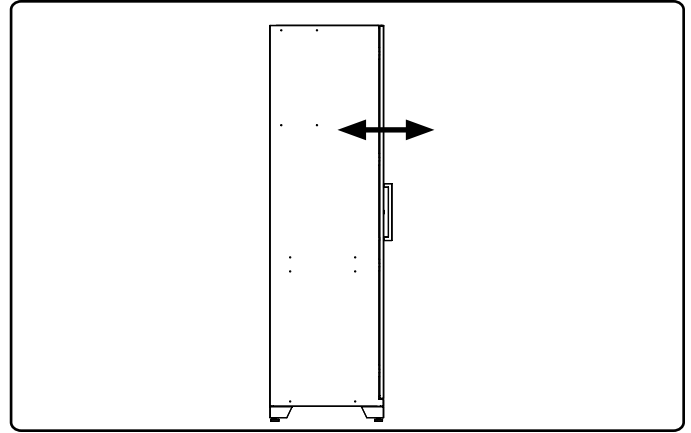
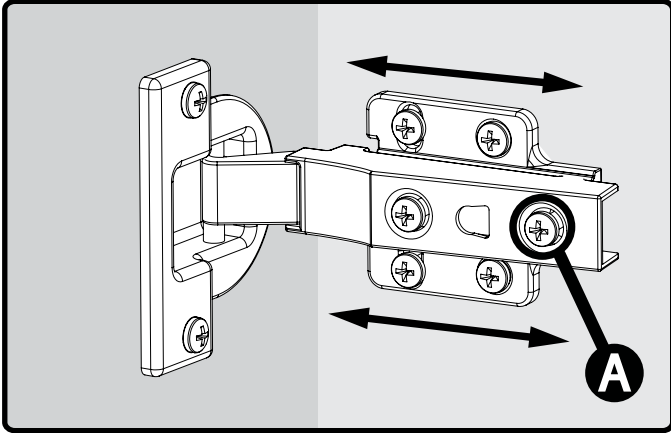


i **HANDLE WITH CARE:** Racing Stripe can easily bend and crease.

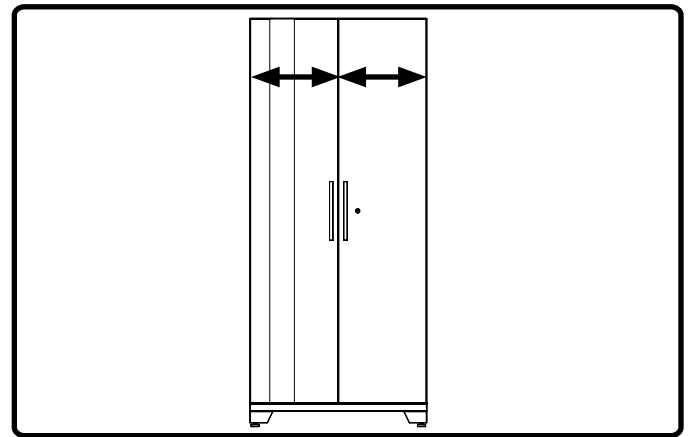
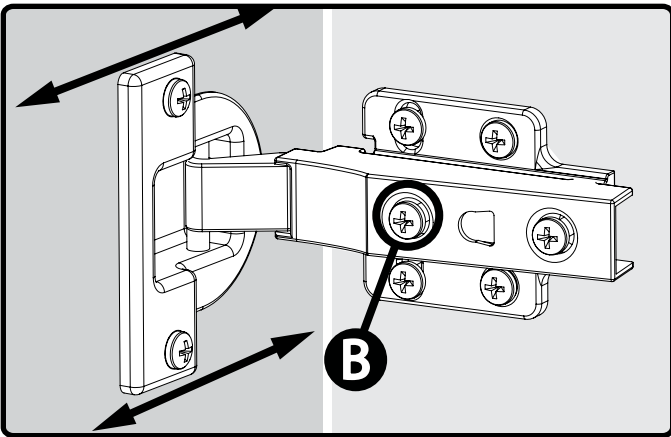
Adjusting The Door Hinges

Using a Philips screwdriver, the doors can be adjusted:
Left, right, forwards and backwards, or up or down.

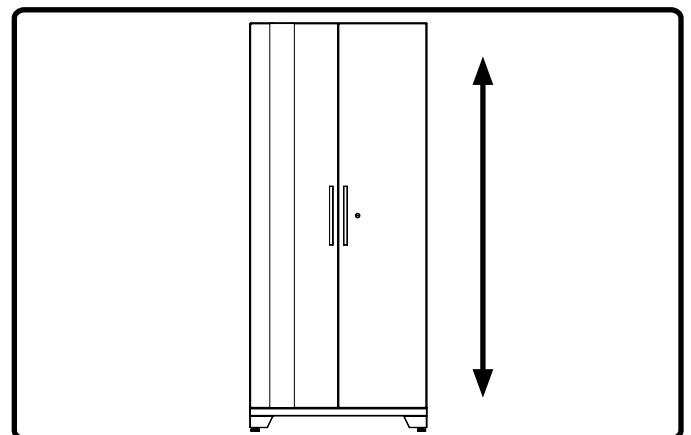
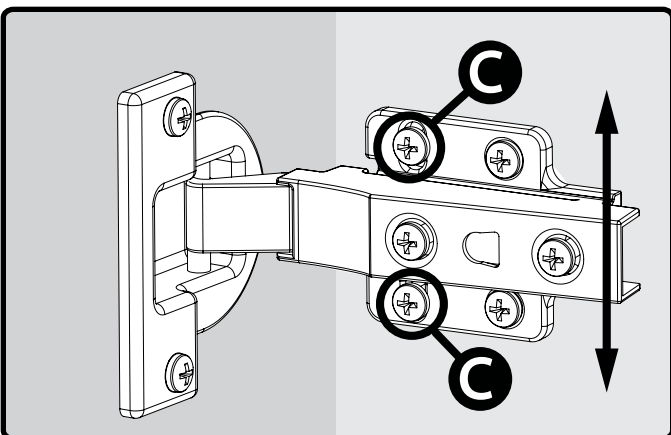
- 1** To adjust the doors in or out from cabinet, turn the screw (A) clockwise or counterclockwise.



- 2** To adjust the doors left or right, turn the screw (B) clockwise or counterclockwise.



- 3** To adjust the door vertically, turn the screw (C) clockwise or counterclockwise.



Limited Lifetime Manufacturer Warranty

When this product is installed, operated and maintained according to the instructions attached to or furnished with the product, NewAge Products Inc. will replace the defective product or parts if the part fails as a result of defective materials or workmanship for the Lifetime of the product.

NEWAGE PRODUCTS INC. WILL NOT PAY FOR:

1. Service calls to correct the installation of any NewAge products or to instruct you how to use or install them.
2. Damage resulting from improper handling or shipping of products, or products damaged by accident, misuse, abuse, fire, flood, improper installation, acts of God, neglect, corrosion, modification or mishandling.
3. Products damaged by improperly loading beyond the specified maximum weight capacity outlined in the instructions provided with the product.
4. Repairs or replacement when your product is used in other than normal, single-family household use, such as a commercial environment, or handled in anyway inconsistent with the installation instructions included with the product.
5. Cosmetic damage, including scratches, dings, dents or cracks in paint that do not affect the structural or functional capability of the product.
6. Surfaces damaged due to chemical interaction resulting in corrosion of paint or metal.
7. Replacement parts for NewAge products outside Canada and the United States.
8. Replacement keys or locking mechanisms.
9. Loss of product contents due to theft, fire, flood, accident or acts of God.
10. Shipping or freight fees to deliver replacement products or to return defective products.
11. Any labor costs during the limited warranty period.

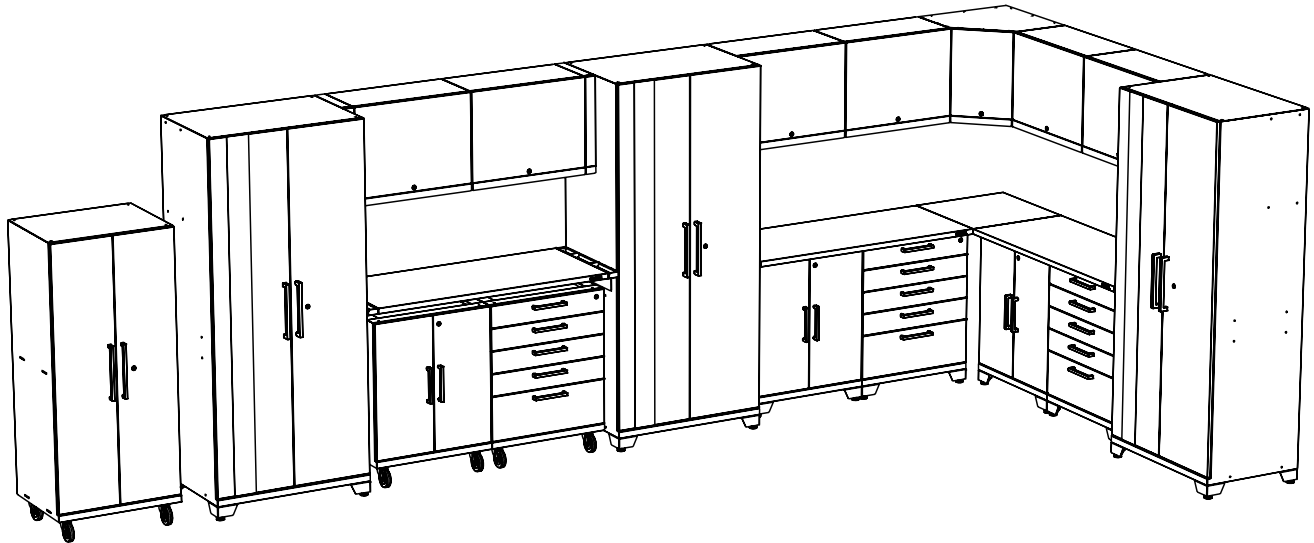
DISCLAIMER OF IMPLIED WARRANTIES; LIMITATION OF REMEDIES

IMPLIED WARRANTIES, INCLUDING TO THE EXTENT APPLICABLE WARRANTIES OF MERCHANTABILITY OR FITNESS FOR A PARTICULAR PURPOSE, ARE EXCLUDED TO THE EXTENT LEGALLY PERMISSIBLE. ANY IMPLIED WARRANTIES THAT MAY BE IMPOSED BY LAW ARE LIMITED TO ONE YEAR, OR THE SHORTEST PERIOD ALLOWED BY LAW. SOME STATES AND PROVINCES DO NOT ALLOW LIMITATIONS OR EXCLUSIONS ON HOW LONG AN IMPLIED WARRANTY OF MERCHANTABILITY OR FITNESS LASTS, SO THE ABOVE LIMITATIONS OR EXCLUSIONS MAY NOT APPLY TO YOU. THIS WARRANTY GIVES YOU SPECIFIC LEGAL RIGHTS, AND YOU MAY ALSO HAVE OTHER RIGHTS WHICH VARY FROM STATE TO STATE OR PROVINCE TO PROVINCE

Thank you for purchasing a NewAge Product!

Please give us a call or visit online if you have any questions.

Call 1.877.306.8930; for UK 0800.031.4069; e-mail at info@newageproducts.com



Série Performance Plus 2.0



AVERTISSEMENT: RISQUE DE POIDS EXCESSIF!

Déplacer, assembler ou installer les armoires et armoires-vestiaires avec l'aide de deux personnes ou plus. Dans le cas contraire, il pourrait en découler des blessures au dos ou autre. Ne pas laisser les enfants sans surveillance près des armoires. Risque élevé de basculement si les armoires ne sont pas installées correctement : Fixer solidement les armoires au mur pour éviter des blessures graves. Pour obtenir de l'aide, composer le 1.877.306.8930; au R.-U., composer le 0800.031.4069; ou envoyer un courriel à l'adresse info@newageproducts.com.



ATTENTION: Est votre armoire endommagée? Avez vous besoin d'aide ou de pièces de rechange? Contactez NewAge Products a 1-877-306-8930; ou support@newageproducts.com. Ne pas retourner au détaillant.

INDEX

Présentation de produit:

[Déballage - 3](#)

[Outils nécessaires - 3](#)

[Quantités comprises - 4](#)

[Pièces incluses - 4](#)

[Capacités de poids - 5](#)

[Options pour plan de travail - 5](#)

[Options pour installation - 6](#)

Aperçu:

[Installation avec roulettes - 7](#)

[Installation sur le mur - 8](#)

[Installation sur lattes - 9](#)

[Installation sur plancher - 10](#)

[Installation pour armoire d'angle - 11](#)

Armoires suspendu:

[Sur paroi cloutte - 12 - 15](#)

[Accrochage d'armoire a l'angle - 15](#)

[Installation de l'armoire entretoise -16](#)

[Sur paroi à lattes - 17](#)

Sécurisation des armoires:

[Sur la mur- 18](#)

[A d'autres armoires - 19](#)

[Avec des armoires sur roulettes - 20](#)

Installation d'établi:

[Installation normal - 21](#)

[Utilisant les supports- 22](#)

[Plateau entretoise - 23](#)

[Pieds de support de plan de travail -24/25](#)

[Plan de travail à l'angle- 26](#)

Assemblée général:

[Installation des pieds et
mis en niveau - 27](#)

[Roulettes - 28](#)

[Tiroirs - 29](#)

[Poignées - 30](#)

[Empilement des armoires - 31](#)

[Triangle de vêtements - 32](#)

[Étagères - 33](#)

[Étagère réglable- 34](#)

[Trou d'utilité - 35](#)

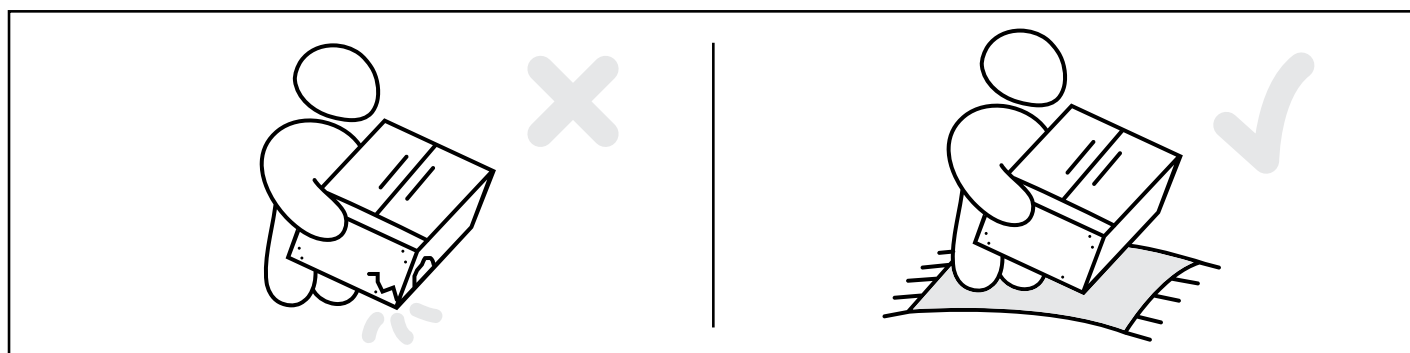
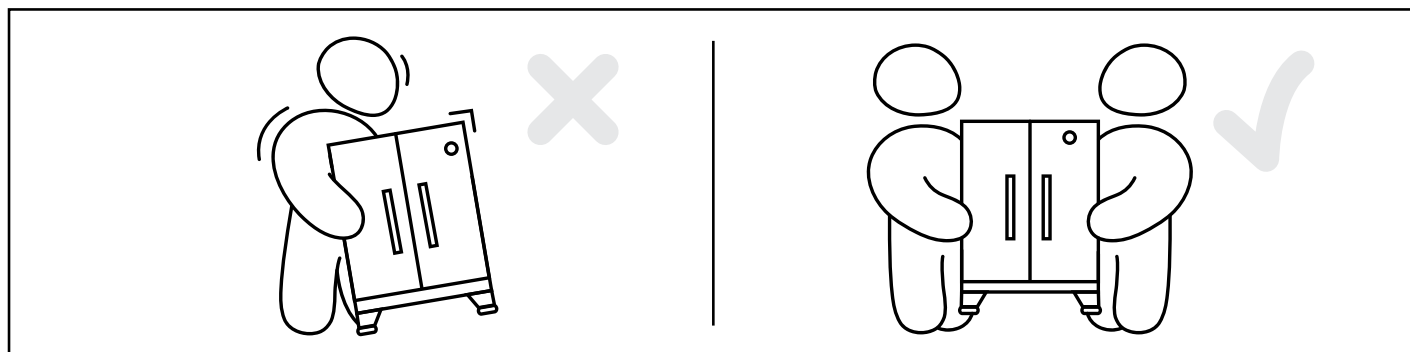
[Décal magnétique-36](#)

[Ajustement des charnière - 37](#)

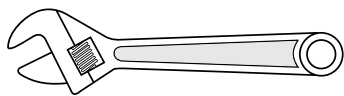
[Garantie - 38](#)

Déballage

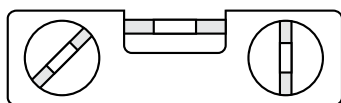
- Commencer par placer la boîte sur une surface plate recouverte.
- Retirer tout le carton, le matériel d'emballage en mousse et les sacs en plastique transparent.
- Mettre au rebus ou recycler tous les matériaux d'emballage.
- Vérifier tout le contenu de la boîte et rassembler les outils nécessaires. Voir Pièces fournies et Outils nécessaires ci-dessous.



Outils nécessaires



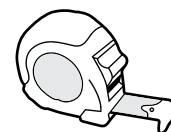
1 x clé ajustable



1 x vérin magnétique de 12 po



1 x localisateur de montants



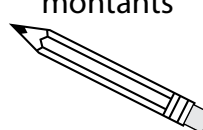
1 x ruban à mesurer



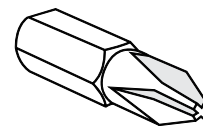
1 x cle a douilles de 7/16 po



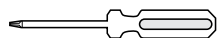
1 x douille de 7/16 po



1 x crayon



1 x tournevis Phillips #2



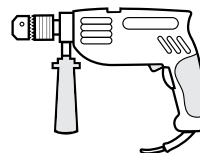
1 x tournevis cruciforme Phillips #2



1 x foret a 3/16" ou 6mm



1 x perceuse mecanique sans fil



1 x marteau perforateur



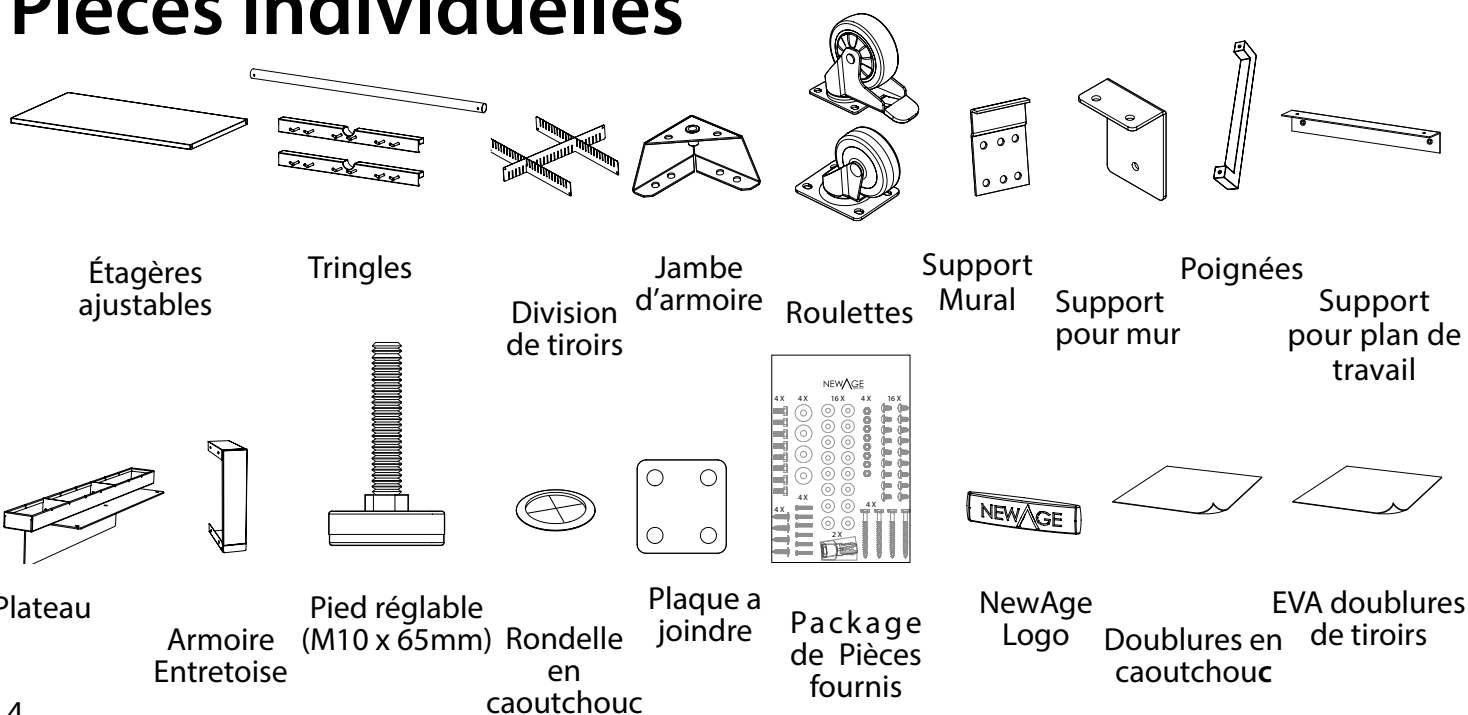
1 x meche à maçonnerie

[facultatif pour la maçonnerie]


Quantités Comprises

	Armoire en base	Armoire d'outils	Casier	Armoire Murale	Armoire a l'angle	Casier mobile	Armoire Entretoise
Packages de pièces fournis	1	1	1	1	1	1	0
Jambe d'armoire	4	4	4	0	0	0	0
Pieds réglable (M10 x 65mm)	4	4	4	0	0	0	0
Roulettes	2	2	0	0	0	2	0
Roulettes avec freins	2	2	0	0	0	2	0
Étagères ajustables	0	0	4	1	0	3	0
Divisions de tiroirs	0	3	0	0	0	0	4
Support murale	2	2	2	2	2	2	0
Poignées	2	5	2	0	0	2	0
Tringle de vêtements	0	0	1	0	0	1	0
Support pour plan de travail	0	0	1	0	0	0	0
Plaque de fixation	1	1	0	0	2	0	0
Doublures en caoutchouc	1	1	0	0	0	0	0
EVA doublures de tiroirs	1	5	0	0	0	0	0
Grommet en caoutchouc	1	0	1	0	0	1	0
Logo NewAge	1	1	1	1	1	1	0
2.5in Armoire entretoise	0	0	0	0	0	0	2
2.5in Plateau	0	0	0	0	0	0	2


Pièces individuelles



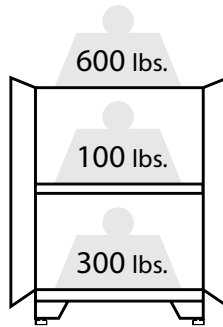
Capacité de poids



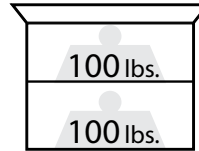
250 lbs par pieds.
1000 lbs. par armoires



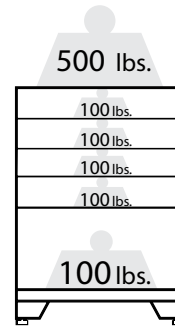
150 lbs. par roulettes
600 lbs. par cabinets



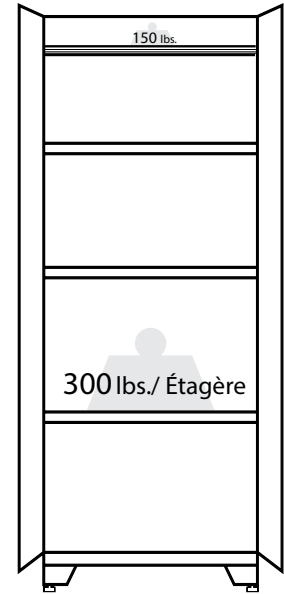
Armoires en bas
Max 1000 lbs.



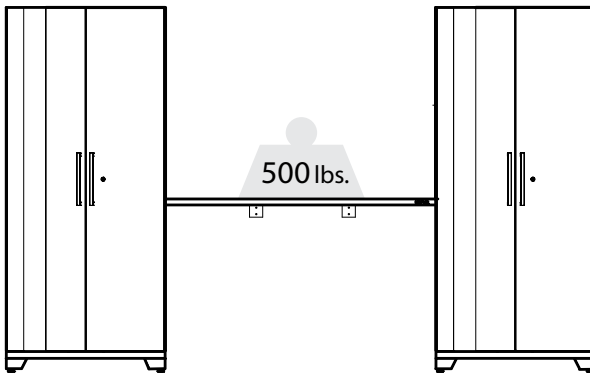
Armoires murales
Max 200 lbs.



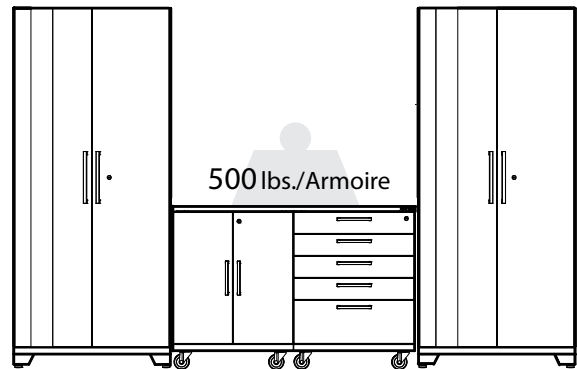
Armoires d'outils
Max 1000 lbs.



Casier
Max 1000lbs.

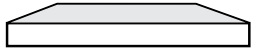


Plan de travail suspendu
Max 500 lbs.




Plan de travail sur armoires
Max 500 lbs./Cabinet

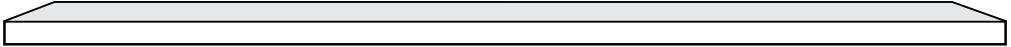
Options pour plan de travail



24" Plan de travail a l'angle



56" Plan de travail. Utiliser pour deux armoires



84" Plan de travail. Utiliser pour trois armoires

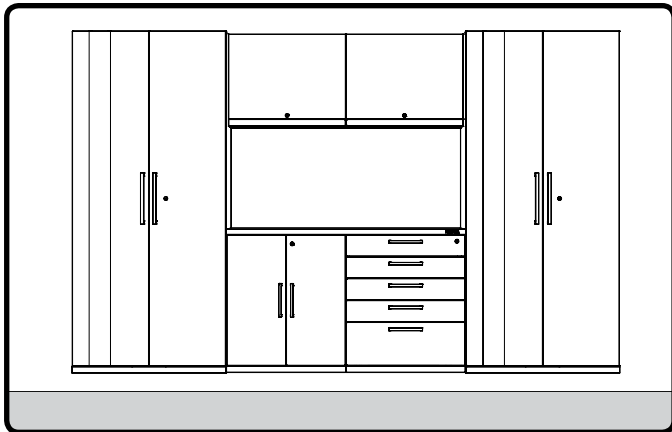
Les options d'installation pour armoires

i Informations importantes: S'il vous plaît lire avant de commencer l'installation.

- Les plans indiqués sont exemples. Dépendants de l'achat du client, les armoires peuvent être configurés dans une variété de configurations différentes.
- Planifier et mesure l'espace avant d'installer.
- Trouver les montants du mur avant l'installation.
- Considérez l'emplacement des prises électriques lors de la planification.
- Assurez-vous avez assez d'espace pour les armoires en hauteur.
- Armoires de plancher peuvent être placer même avec l'avant ou l'arrière du casier.

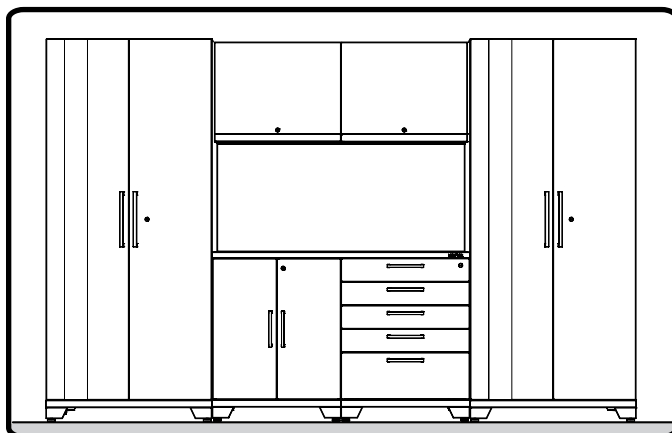
Option 2. - voir [page 8](#).

Montage sur mur



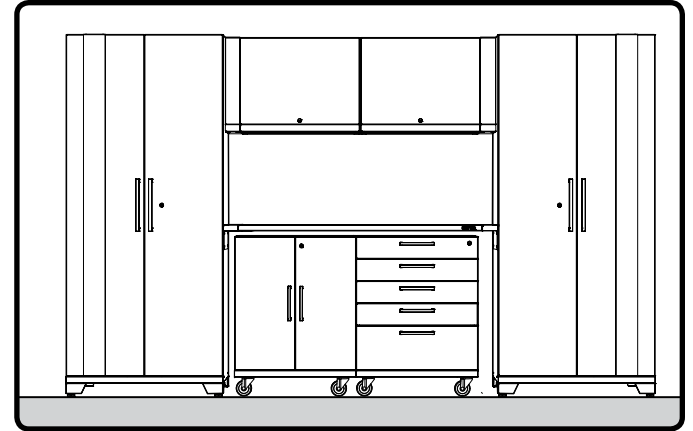
Option 4. - voir [page 10](#)

Montage au plancher avec les pieds de nivellement réglables



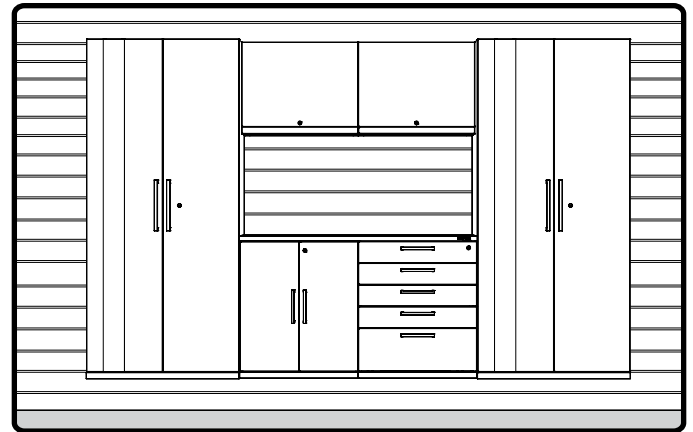
Option 1. - voir [page 7](#).

Ensembles avec roulettes. Remarque: Roulettes ne peut pas être installé sur les armoires de casier.



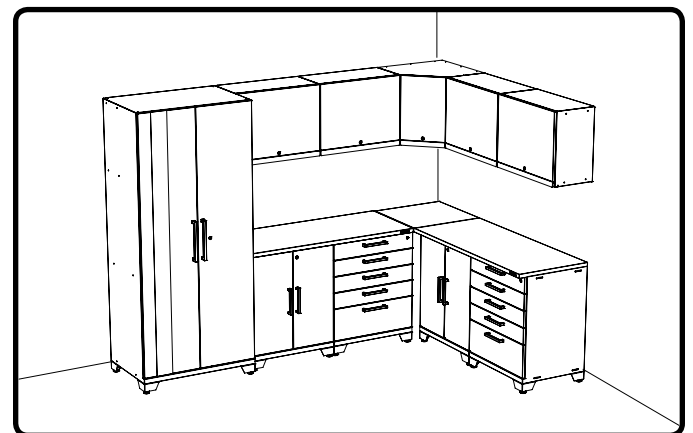
Option 3. - voir [page 9](#).

Montage sur les lattes utilisant les supports pour lattes. (vendus séparément).



Option 5. - voir [page 11](#)

Installation de meuble à l'angle. Remarque: les armoires de coin peuvent être installés en utilisant tous options d'installation.



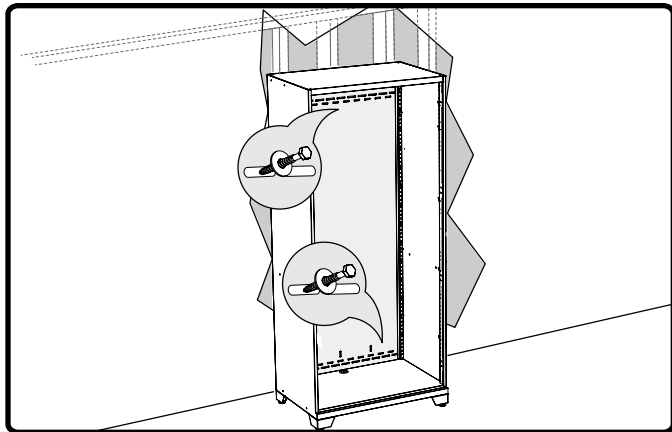
Option 1

Installation des roulettes

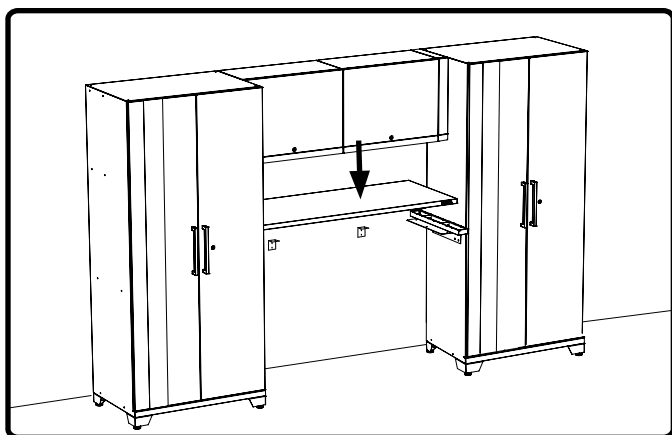
i Planifiez avant d'installer les armoires.

- C'est recommandé de commencer l'installation avec le casier.
- Installer les armoires une à la fois.
- Armoires doivent être entièrement fixés au mur à l'aide (4) vis de mur par armoire.

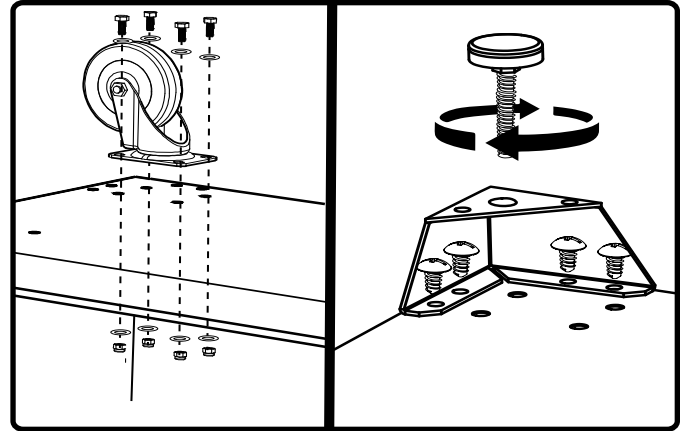
2 Commencez par fixer le casier au mur en position déterminé. Voir [page 18](#) pour les instructions complètes.



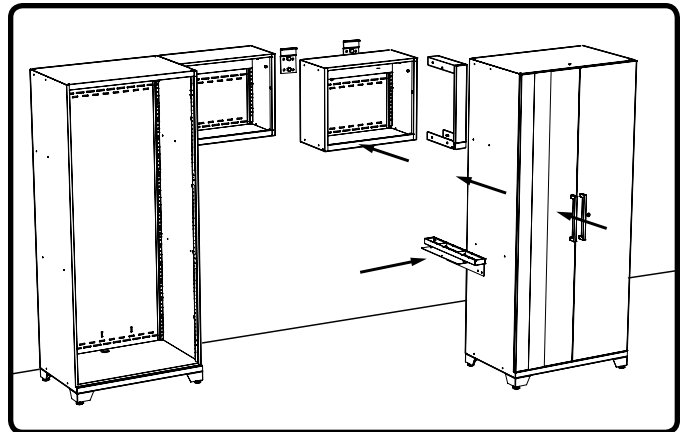
4 Fixer le plan de travail en position.



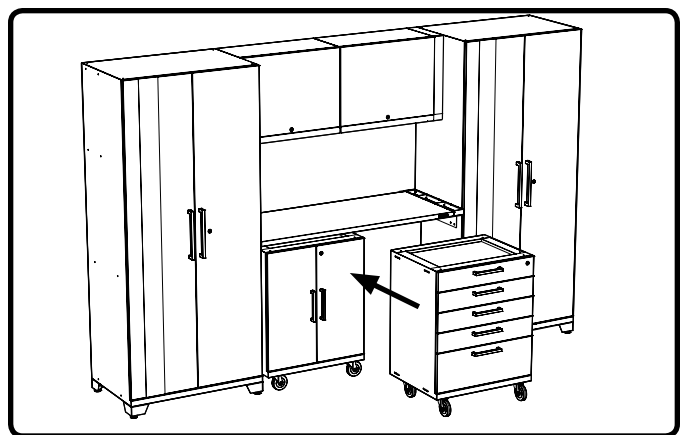
1 Fixez les pieds aux casiers. Fixer les roulettes aux armoires de plancher. Voir l'installation complète sur les [pages 27 et 28](#).



3 Fixer les armoires murales, casier, plateau entretoise, et armoire entretoise restants. Voir [pages 12-16, 19 et 21](#).



5 Positionner les armoires sous le plan de travail.



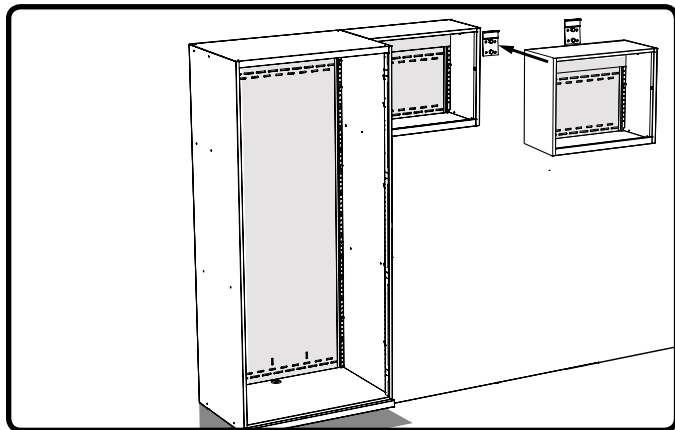
Option 2

Montage sur mur

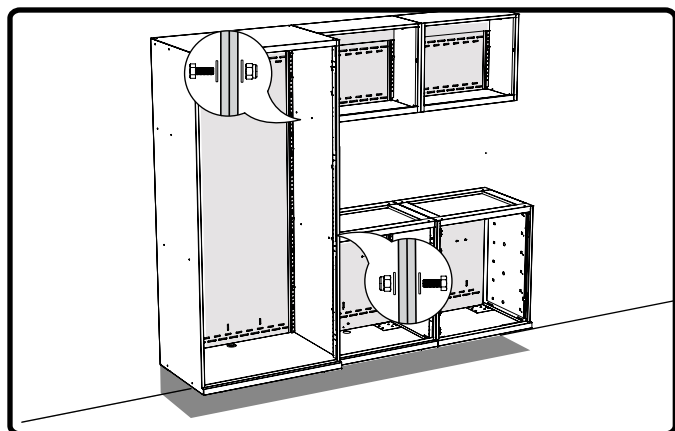
i Planifiez avant d'installer les armoires.

- Déterminer l'hauteur que les armoires seront être installés.
- C'est recommandé de commencer l'installation avec le casier.
- Installer les armoires une à la fois.
- Armoires doivent être entièrement fixés au mur à l'aide (4) vis de mur par armoire.

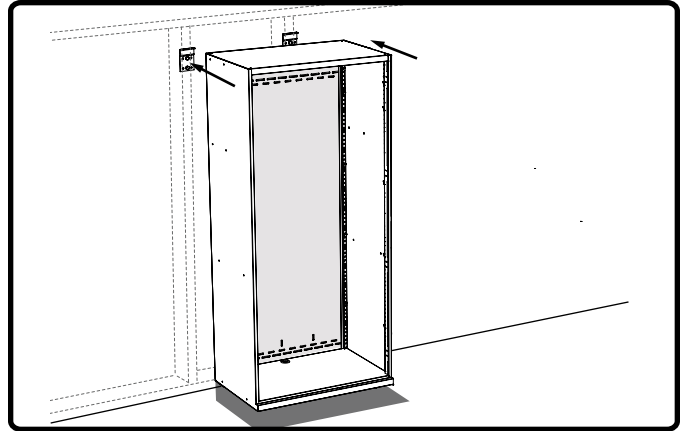
2 Position et secure les armoires murales au mur. Voir [page 12-16](#).



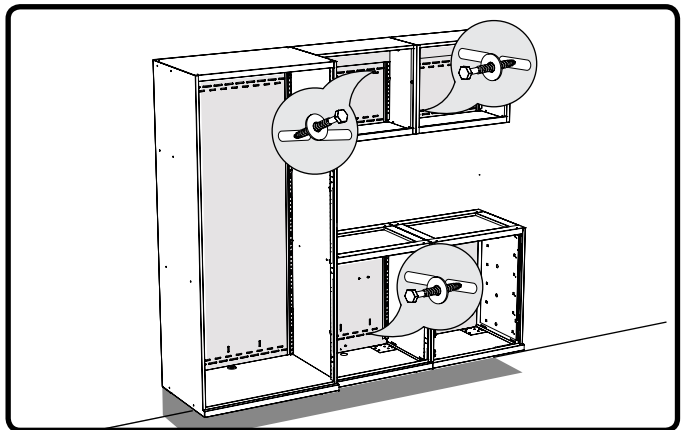
4 Fixer les armoires. Voir [page 19](#).



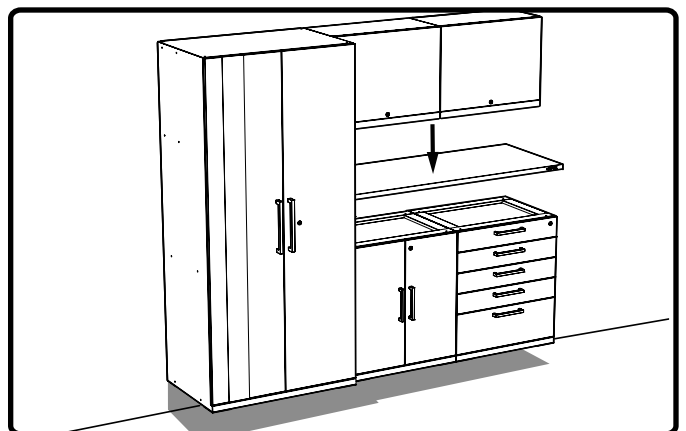
1 Commencez par fixer le casier au mur. Voir [page 12-16](#) pour des instructions complètes pour suspendre les armoires au mur.



3 Position et secure les armoires restant au mur. Voir [page 15](#).



5 Attache le plan de travail. Voir [page 21](#) pour des instructions complètes.



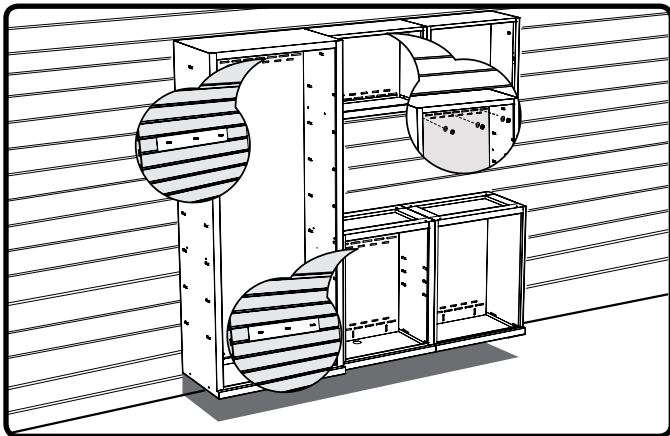
Option 3

Installation aux panneaux à lattes

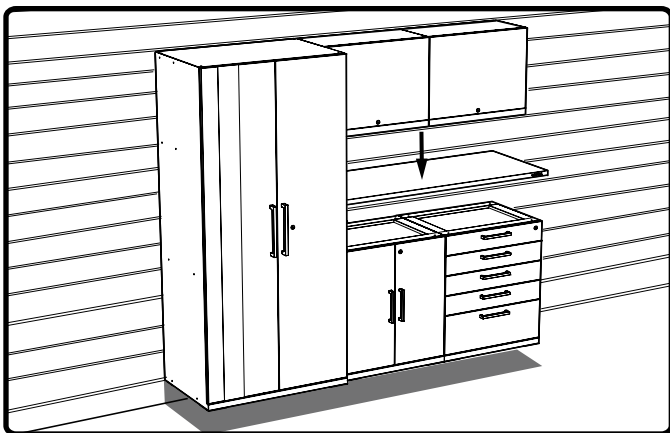
i Planifiez avant d'installer les armoires.

- Déterminer l'hauteur que les armoires seront être installés.
- Support des lattes vendus séparément.
- Supports des lattes soit utilisant avec le panneaux à lattes de 3" normal.
- Vérifiez fabricant des panneaux de lattes pour la capacité de charge nominale.
- Ne pas surcharger.

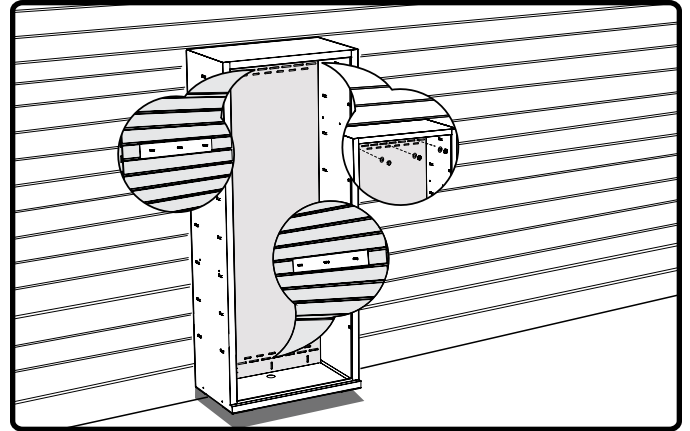
2 Position et secure les armoires restant au mur. Voir [page 15](#).



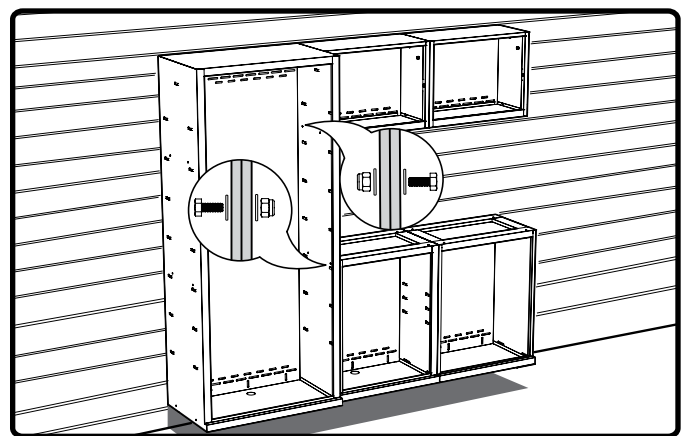
4 Attache le plan de travail. Voir [page 21](#) pour des instructions complètes.



1 Commencez par fixer le casier au mur utilisant les supports de lattes. Voir [page 17](#) pour des instructions complètes pour suspendre les armoires au mur.



3 Fixer les armoires. Voir [page 19](#).



Supports pour lattes vendus séparément. Voir ci-dessous pour les quantités nécessaires

- Casier, Armoires a outils, et base - par armoire (2) x 24" Support pour lattes. Pièce # 50979
- Mur - par armoire (1) x 24" Support pour latte. Pièce # 50979
- Armoire à l'angle- par armoire (2) x12" Support pour latte. Pièce # 50980

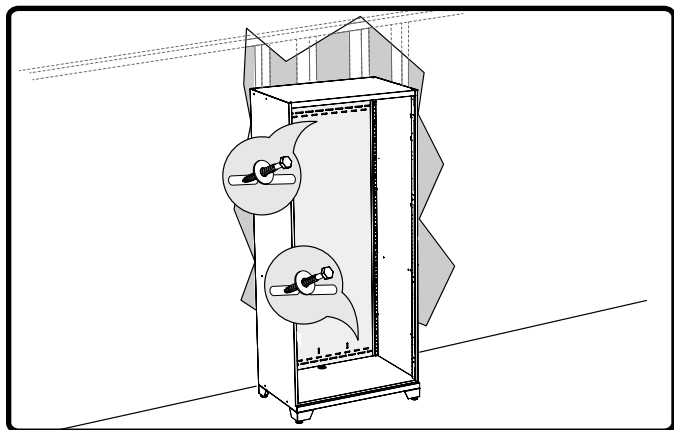
Option 4

L'installation sur plancher

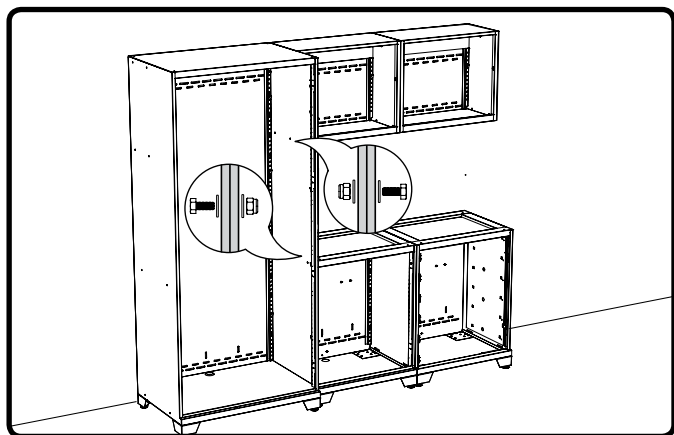
i Planifiez avant d'installer les armoires.

- C'est recommandé de commencer l'installation avec le casier.
- Armoires doivent être entièrement fixés au mur à l'aide (4) vis de mur par armoire.
- Roulettes ne peuvent pas être installés sur casiers.

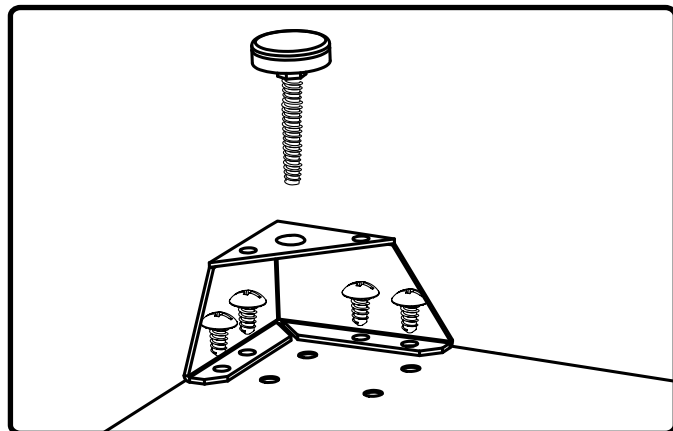
2 Commencez par fixer le casier au mur en position déterminé. Voir [page 18](#) pour les instructions complètes.



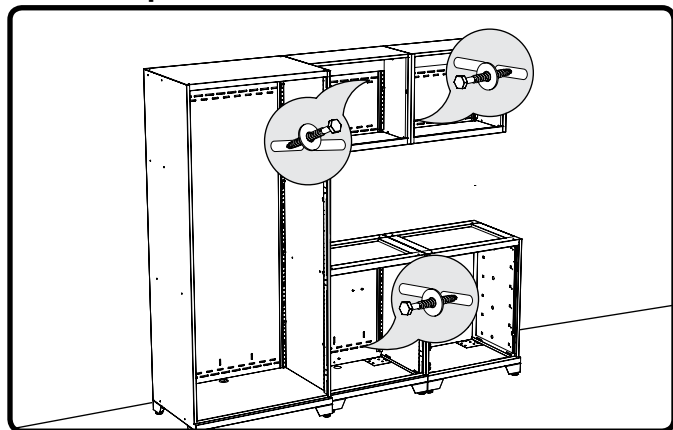
4 Fixer les armoires. Voir [page 19](#) pour obtenir des instructions détaillées de fixation.



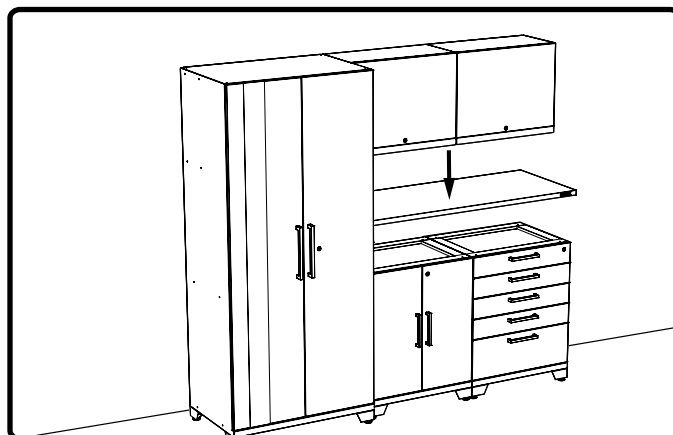
1 Fixez les pieds aux armoires. Voir l'installation des pieds à la [page 27](#).



3 Position et secure les armoires restant. Installez les armoires une à la fois. Voir [page 18](#) pour des instructions complètes.



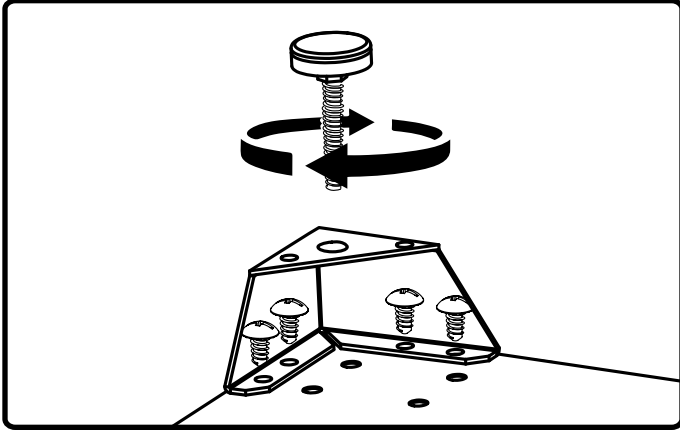
5 Attacher le plan de travail. Voir [page 21](#) pour les instructions complètes.



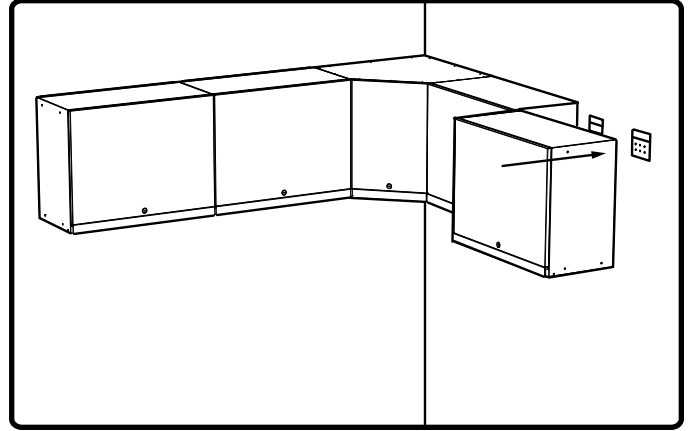
Option 5

Installation des armoires à l'angle

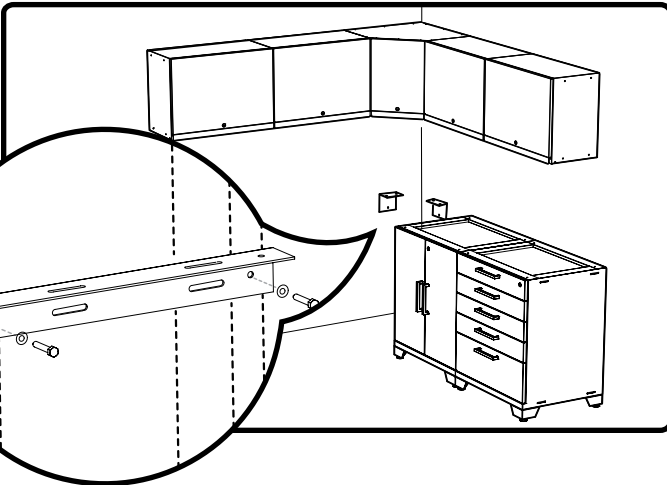
- 1** Fixez les pieds aux armoires. Voir l'installation de pieds à la [page 27](#).



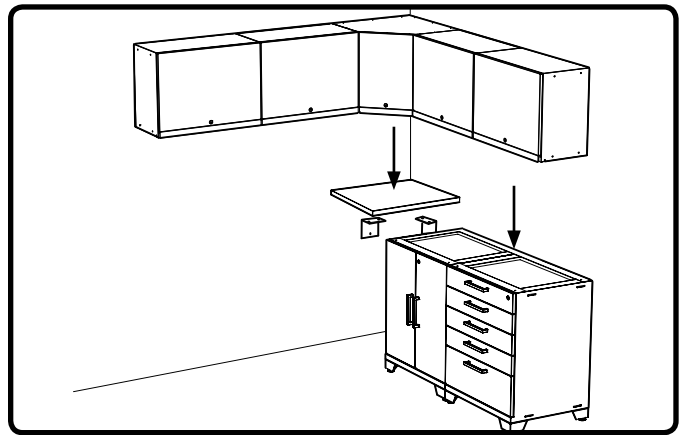
- 2** Accrochez armoires murales commençant par armoire murale d'angle. Voir les instructions complètes sur les [pages 12-16](#).



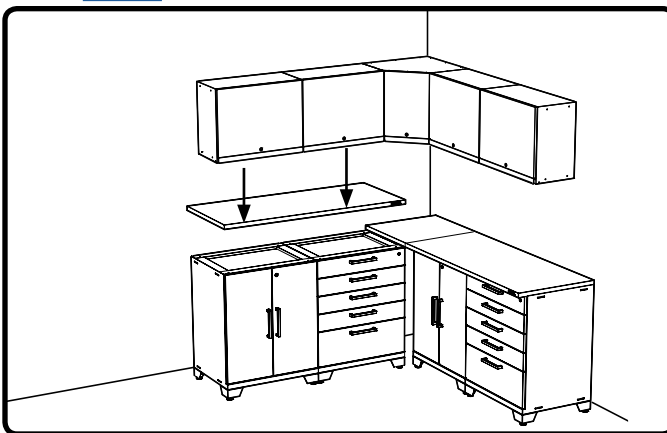
- 3** Installer le support de plan de travail à l'angle et les armoires. Voir [page 26](#).



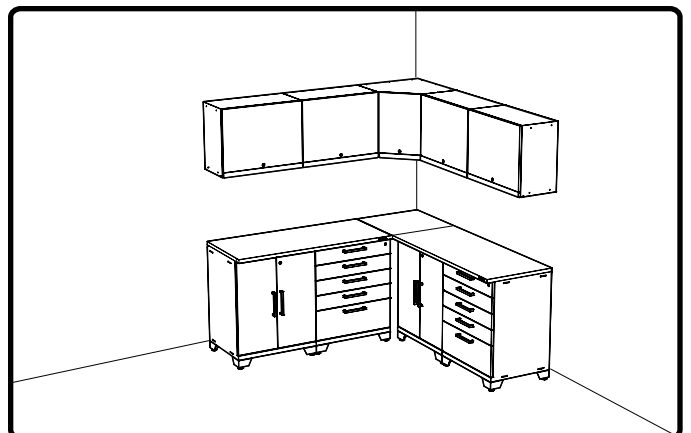
- 4** Fixer toutes les armoires au mur. Voir [page 26](#) pour des instructions complètes.



- 5** Fixer les armoires l'un à l'autre. Voir les armoires de fixation étape à la [page 18,19, et 21](#).

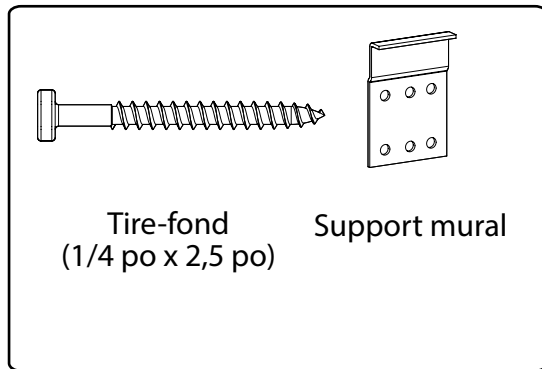


- 6** Attacher le plan de travail. Voir [page 21](#) pour des instructions complètes.

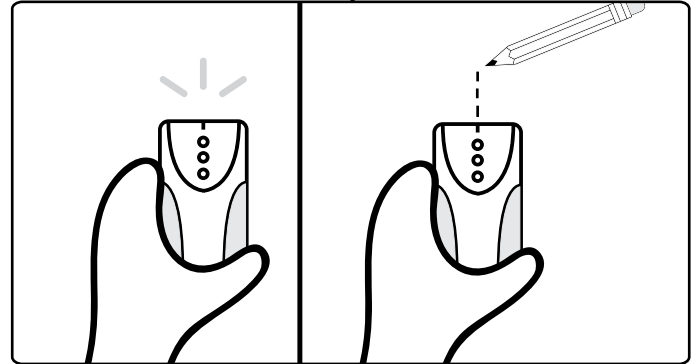


Fixation des armoires au mur (facultatif)

i Pièces nécessaires.



1 Utiliser le localisateur de montants pour repérer les montants et faire une ligne sur le mur avec un crayon.



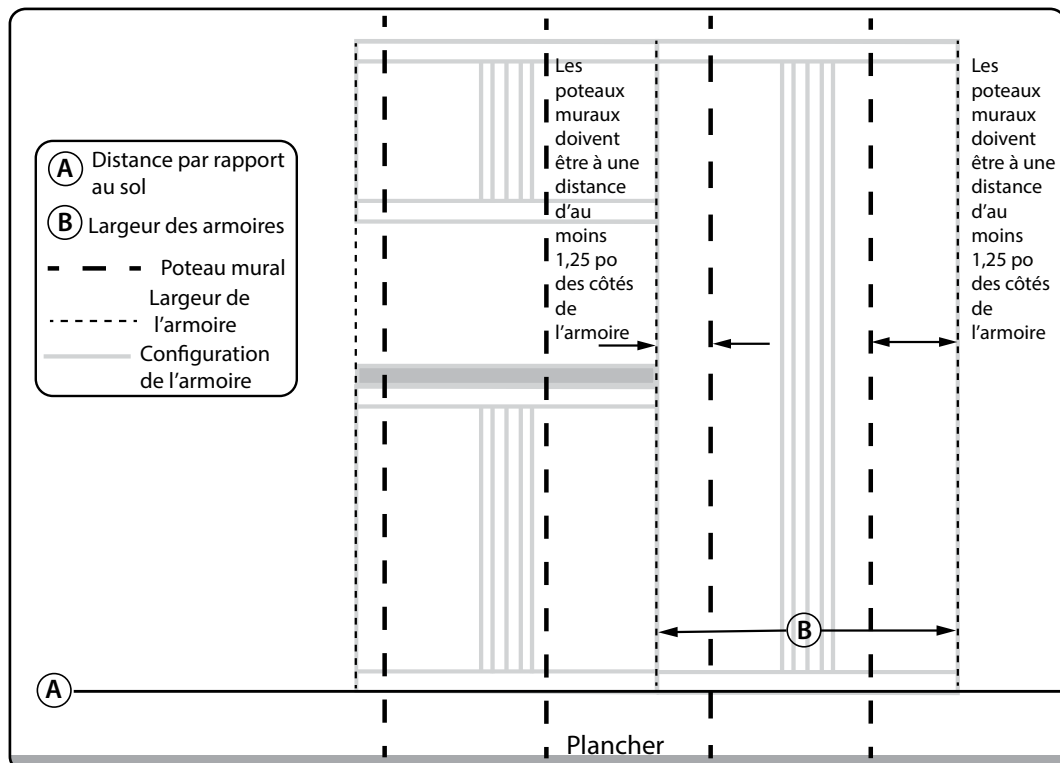
2 Planification de la position générale des armoires.

Étape A. Déterminer la hauteur à laquelle vous aimeriez installer les armoires sur plancher et armoires-vestiaires et tracer une ligne horizontale à cet endroit.

Étape B. Indiquer ensuite la largeur de chaque armoire dans la position voulue en veillant à ce que les poteaux muraux soient au moins à une distance minimale de 1,25 po du bord des armoires. Ce faisant, il n'y aura pas d'impact avec les bords de l'armoire et le support mural lors de l'installation de l'armoire sur le mur.

Étape C. Pour l'installation de l'armoire à l'angle, accrochage cette armoire en premier puis continuer à partir du coin.

Remarque : S'assurer d'avoir deux poteaux pour l'armoire-vestiaire à installer puisqu'il est plus facile de commencer d'abord par installer l'armoire-vestiaire. En raison de l'espacement des poteaux muraux, il est possible que certaines armoires sur plancher ou armoires murales n'aient qu'un poteau auquel les fixer. Cela ne pose pas problème à condition que l'armoire soit fixée à une armoire solidement installée.

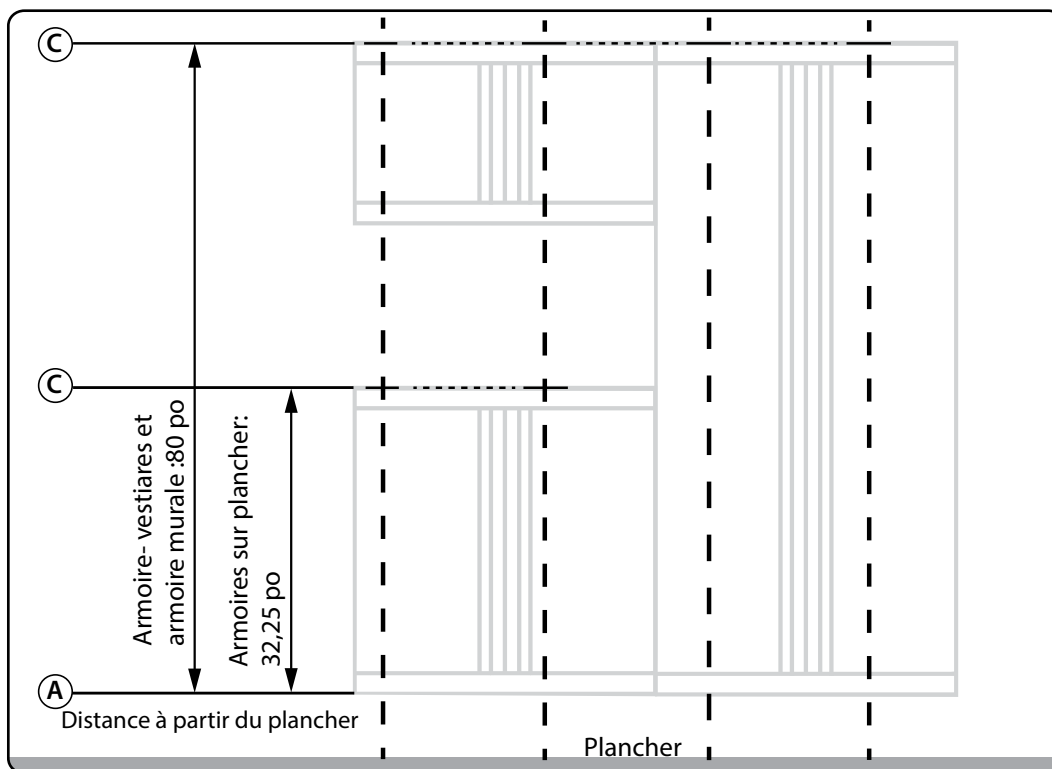


Fixation des armoires au mur (suite)

3 Planification de la position générale des armoires (suite)

Étape C. En mesurant à partir de la ligne faite à l'étape A, faire une marque horizontale à la hauteur à laquelle elle croise les marques du panneau mural pour déterminer la hauteur de l'armoire voulue (et l'endroit où installer le support).

1. **Armoire-vestiaire :** Mesurer une distance de 80 po à partir de la ligne de référence et faire une marque aux emplacements des montants.
2. **Armoire sur plancher :** Mesurer une distance de 32,25 po à partir de la ligne de référence et faire une marque aux emplacements des montants.
3. **Armoires murales :** Mesurer une distance verticale de 80 po à partir de la ligne de référence et faire une marque aux emplacements des montants (si à niveau avec le dessus de l'armoire-vestiaire).



Étape D. S'assurer que les armoires seront installées à une hauteur où il vous sera possible de travailler et que vos armoires murales ne sont pas hors de votre portée.

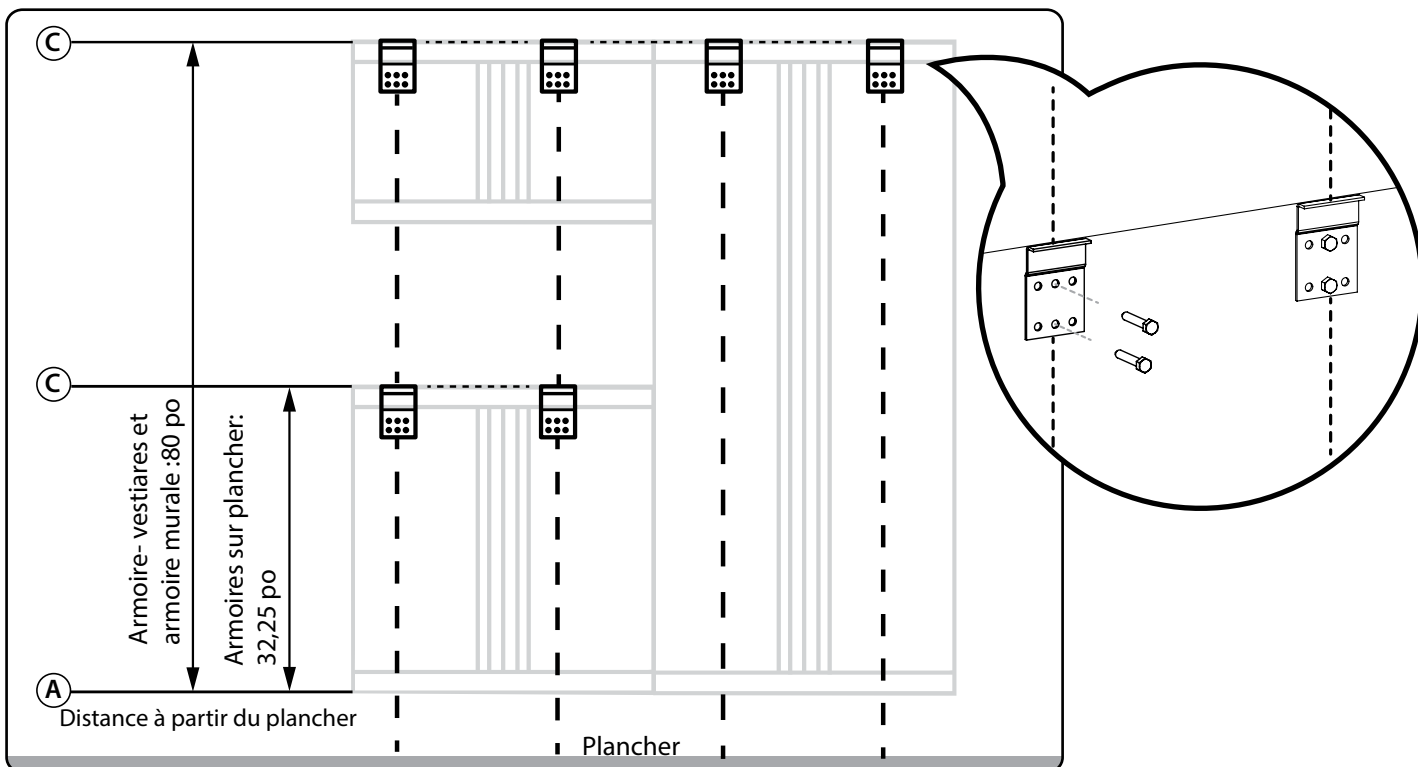
Remarque : La surface de travail des armoires sur plancher sera 1,25 po plus élevée que l'armoire avec le dessus installé.

Fixation des armoires au mur (suite)

4 Fixation des armoires au mur.

Aligner le dessus des supports d'accrochage sur les lignes identifiées pour la position du dessus des armoires (étape C) et fixer solidement les supports dans les montants à l'aide des tirefonds et des rondelles fournis.

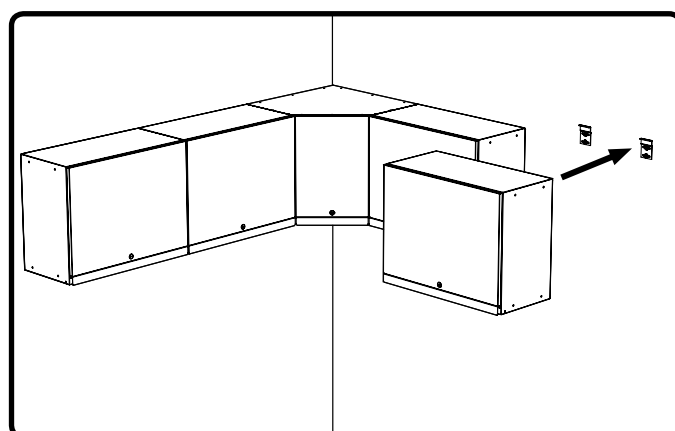
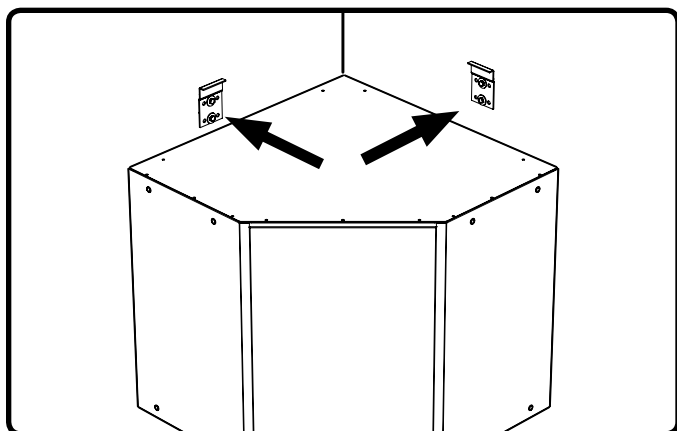
Remarque : Il est possible de contrebalancer le support vers un côté ou l'autre si celui-ci est installé près du bord de la position désirée pour l'armoire en utilisant les positions secondaires des trous sur le support.



Accrochage des armoires a l'angle au mur

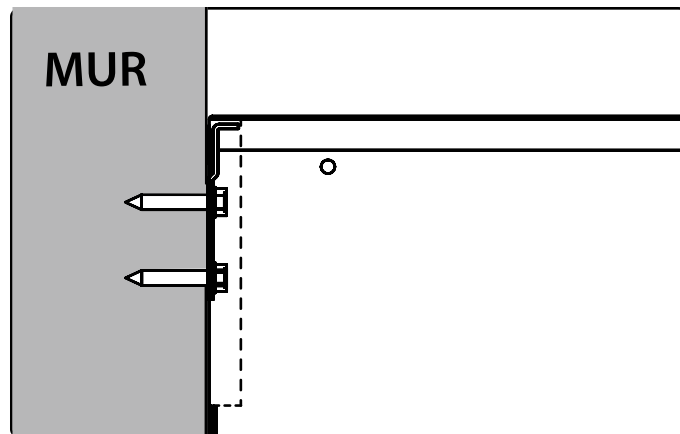
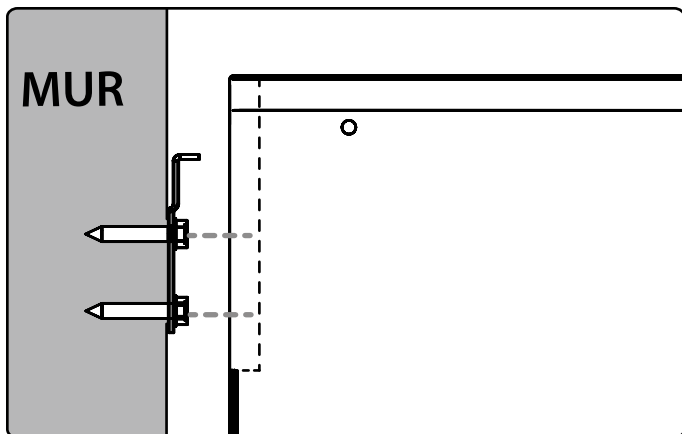
5 Commencez avec l'armoire a l'angle et utilisez (2) X supports murale de pour accrocher l'armoire, suivant les étapes 1-6 de [pages 12-15](#).

6 Suspendre et sécurisées les armoires murales restantes suivantes "Fixation des armoires au mur" et "Fixation des armoires" voir [pages 12-15](#) et la [page 19](#).

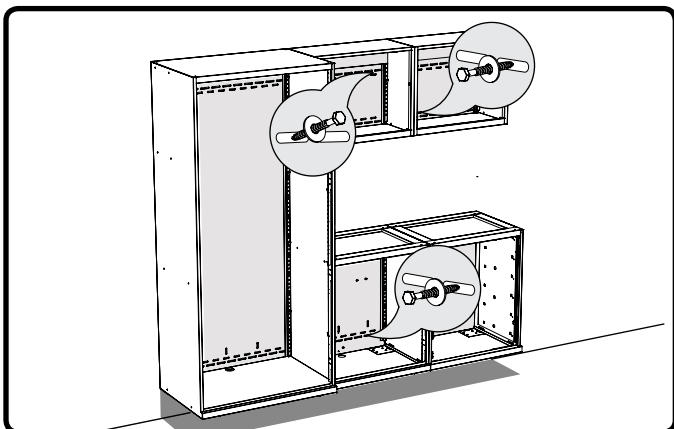


Fixation des armoires au mur (cont.)

- 7** Soulever l'armoire au-dessus des supports et mettre à niveau par rapport au mur, puis abaisser pour la mettre en place.



- 8** Fixer les armoires au mur. Voir [page 18](#).



i Avertissement

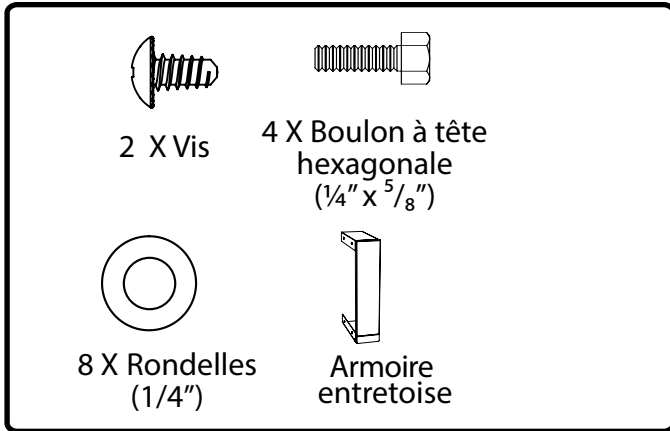
- Ne pas charger les armoires pendant l'installation des armoires
- Toutes les armoires doivent être fixés au mur à l'aide des vis pour mur

i Maçonnerie.

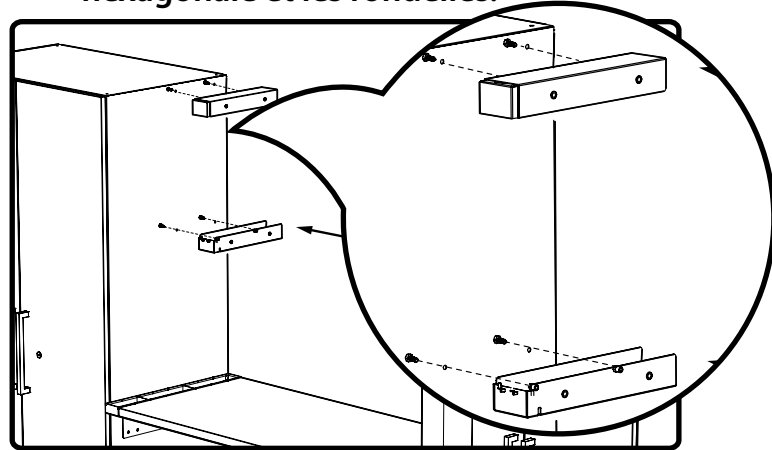
- Suivre les étapes 1 à 4.
- Percer 4 avant-trous dans la bande perforée avec le marteau perforateur et la mèche à maçonnerie.
- Fixer 4 x (2 ¼ po x 1/4 po) ancrages pour béton Tapcon (2 ¼ po x 1/4 po) dans le mur. (Non inclus)
- OU 4 x (#10 x 2 po) vis n° 10 x 2 po avec cheville de maçonnerie de 3/16 po. (Non inclus)

Installation de l'armoire murale entretoise

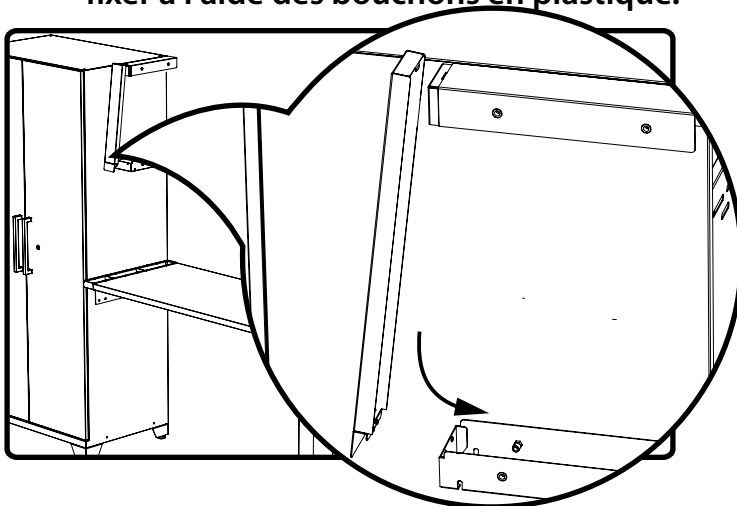
1 Pièces nécessaires.



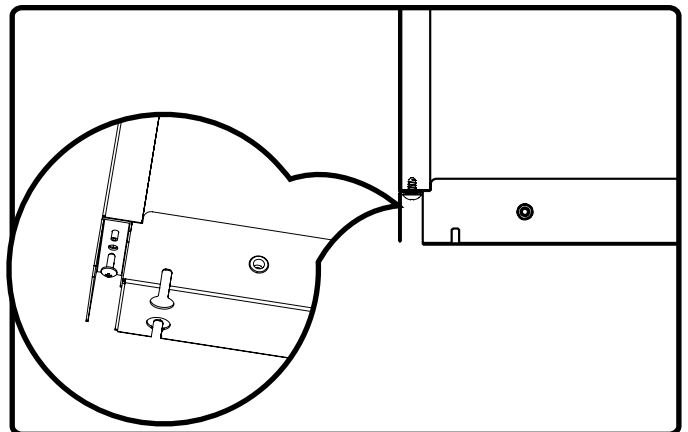
2 Fixer l'armoire entretoise à côté du casier en utilisant 1/4" boulons à tête hexagonale et les rondelles.



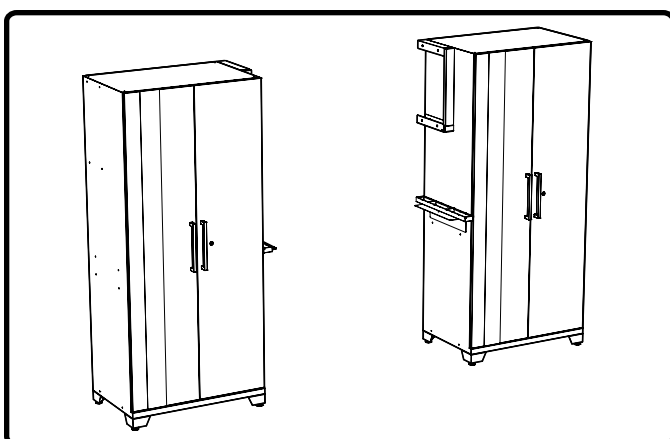
3 Insérez la languette de l'armoire entretoise dans la fente du cadre supérieur. Faites glisser la porte vers le bas en place et fixer à l'aide des bouchons en plastique.



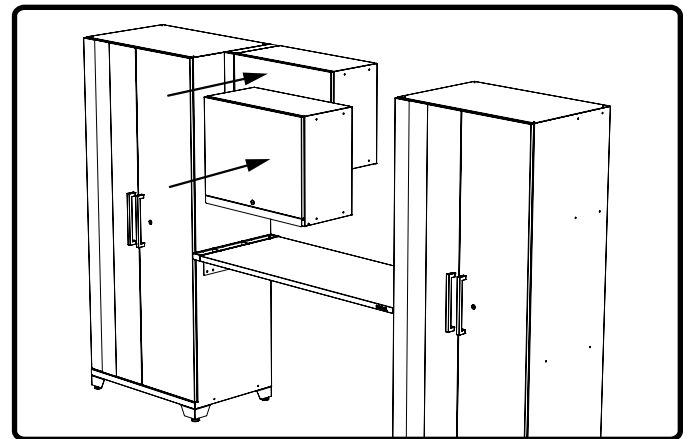
4 Installer la vis pour fixer la face avant



5 Installez la 2ème mur entretoise en répétant les étapes 2 - 4. ..



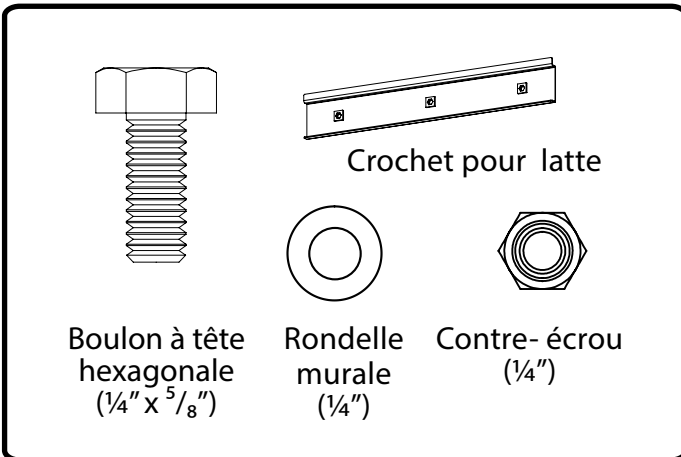
6 Fixer les armoires de mur restants. Voir [pages 12-15](#).



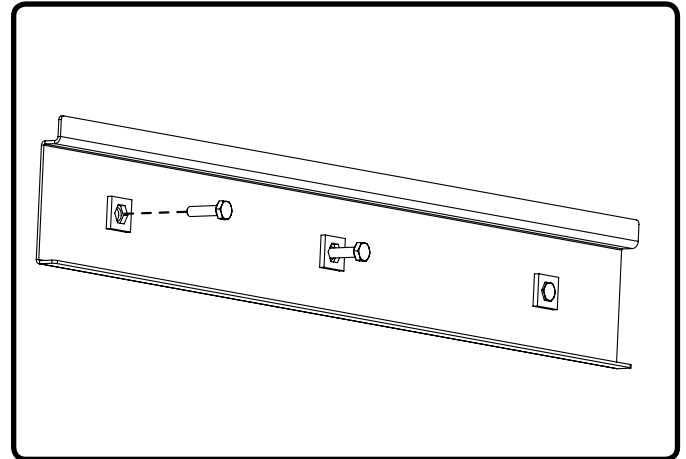
Armoires suspendues sur lattes

Remarque : Les supports pour les parois à lattes du 3 pouces standard sont vendus séparément. Vérifier auprès de votre fournisseur de parois à lattes pour déterminer la capacité nominale de votre paroi à lattes. **NE PAS SURCHARGER.** Les supports pour les parois à lattes sont compatibles seulement pour les parois à lattes 3 pouces standard.

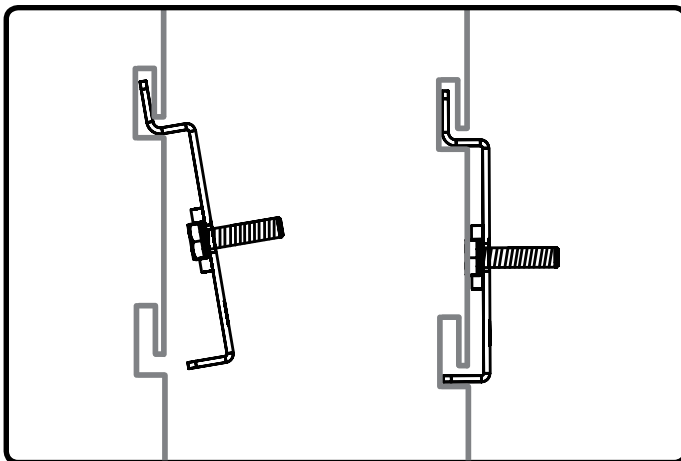
i Pièces nécessaires.



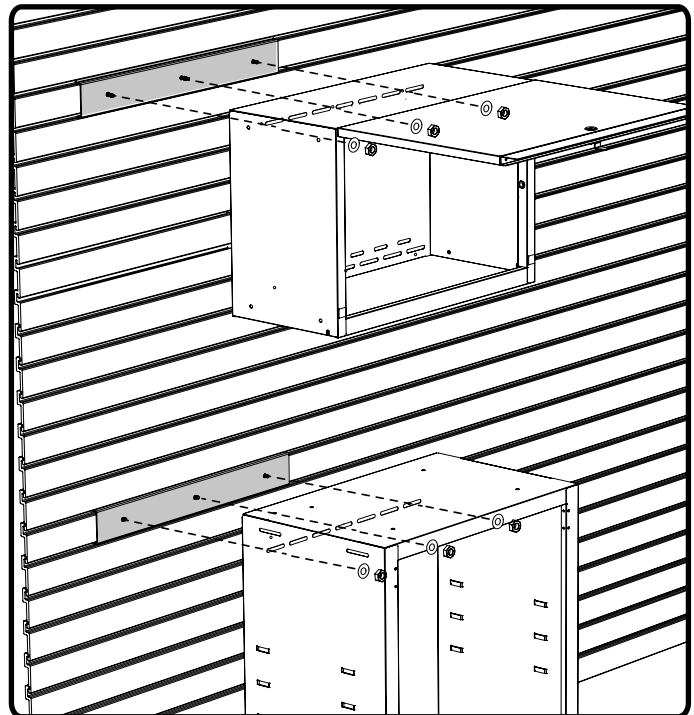
1 Insérer les boulons dans le support de la cloison sèche.



2 Fixer le support sur latte à la hauteur désirée.



3 Aligner le boulon avec des fentes à l'arrière de l'armoire et accrocher cabinet.



Supports de lattes vendus séparément. Voir ci-dessous pour les quantités nécessaires.

- Casier, Armoires en bas, et d'outils- par armoire (2) x 24" Supports de lattes. Pièce # 50979
- Armoire murale - par armoire (1) x 24" Supports de lattes. Pièce # 50979
- Armoires à l'angle - par cabinet (2) x 12" Supports de lattes. Pièce # 50980

Remarque: Pour le casier joindre deuxième support 66" ci-dessous le premier support. Pour l'armoire d'outils ou bas, joindre deuxième support 18" ci-dessous la première tranche.

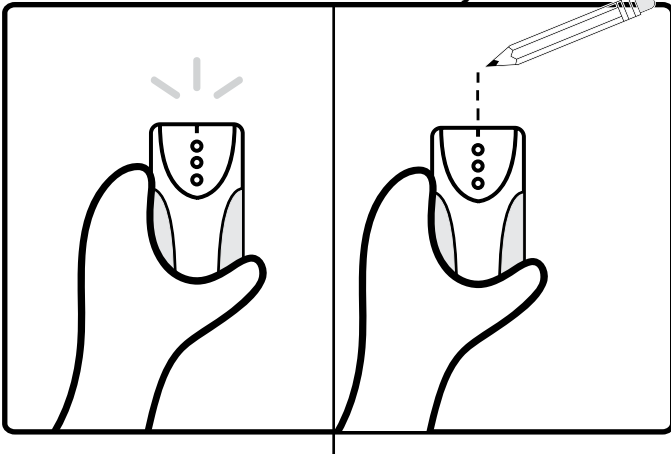
Montages des armoires sur clouté mur



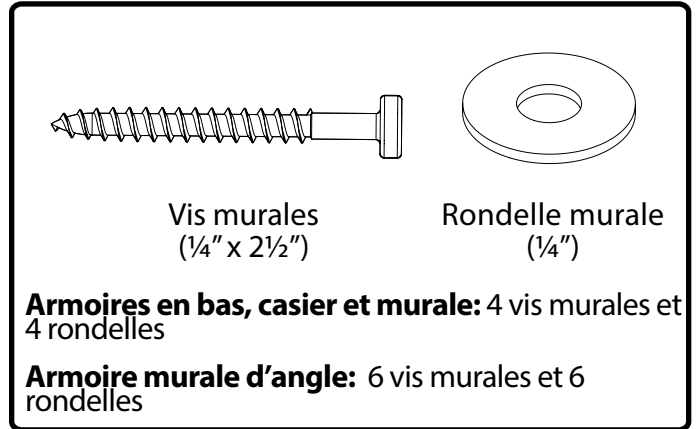
Remarque:

Ne pas charger l'armoire sans avoir d'abord fixé au mur.

- 1** Utiliser le localisateur de montants pour repérer les montants et tracer une ligne sur la cloison avec un crayon.



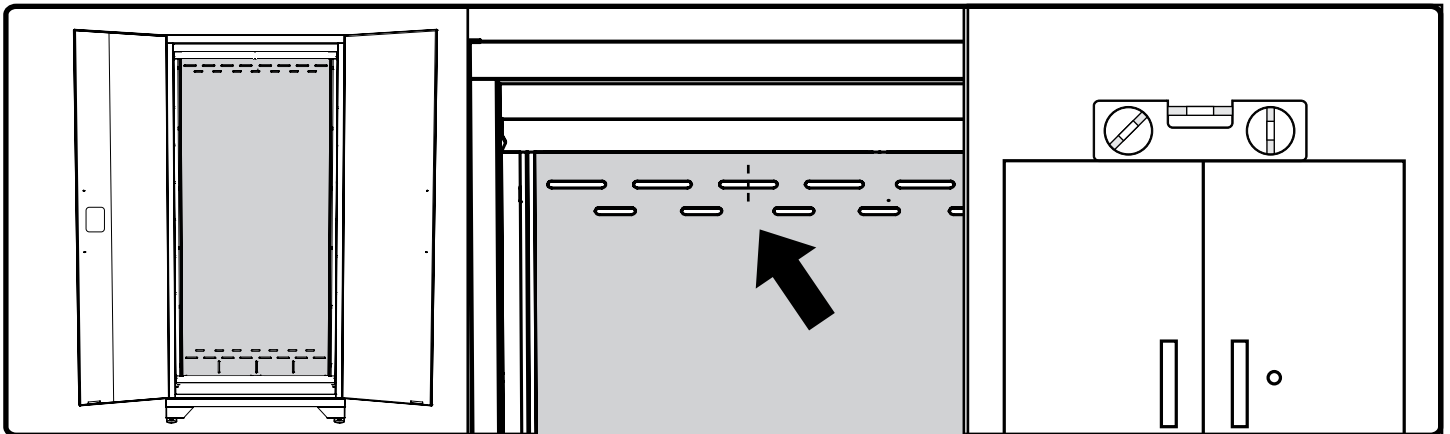
- 2** Rassembler les pièces.



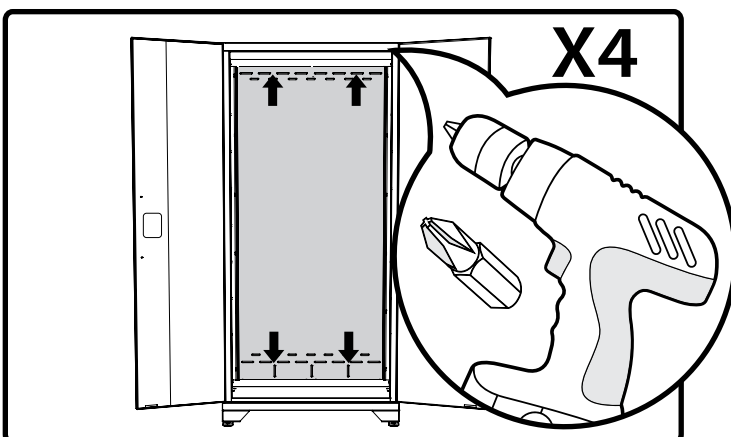
- 3** Bien appuyer l'armoire contre le mur.

- 4** Aligner l'armoire sur les marques des montants.

- 5** Mettre l'armoire à niveau



- 6** Percer 4 vis murales et rondelles dans les trous perforés des montants.



Maçonnerie.

- Suivre les étapes 1 à 5.
- Percer 4 avant-trous dans la bande perforée avec le marteau perforateur et la mèche à maçonnerie.
- Fixer 4 x (2 1/4 po x 1/4 po) ancrages pour béton Tapcon (2 1/4 po x 1/4 po) dans le mur. (Non inclus)
- OU 4 x (#10 x 2 po) vis n° 10 x 2 po avec cheville de maçonnerie de 3/16 po. (Non inclus)
- Suivre l'étape 6.

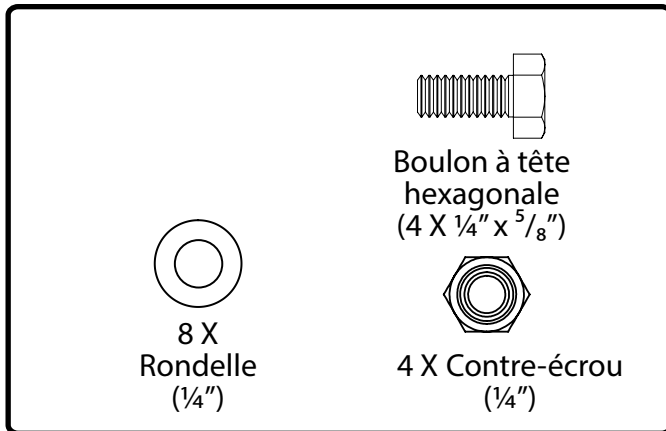
Fixation des armoires

Remarque:

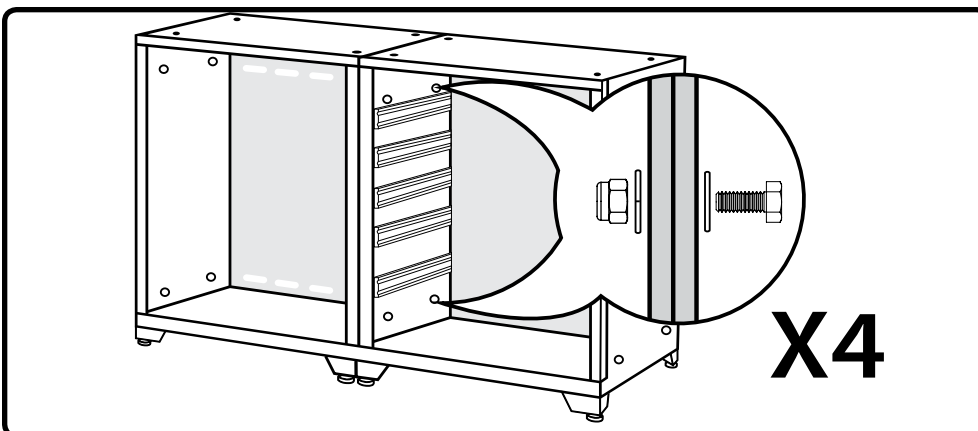
Tous les tiroirs doivent être enlevés avant des armoires de fixation ensemble.

Pour les instructions de retrait du tiroir, voir page 29.

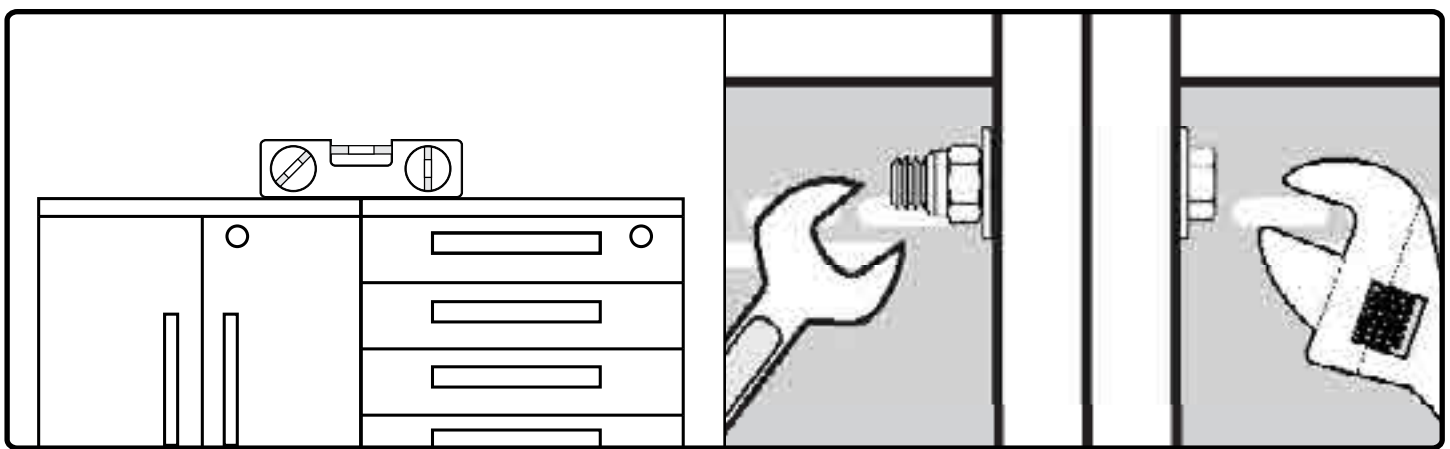
1 Pièces nécessaires.



2 Alignez les boulons, serrez légèrement.

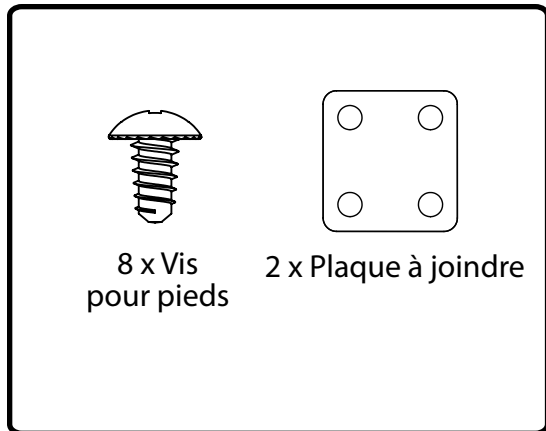


3 Mettre à niveau les armoires et serrer tous les boulons.

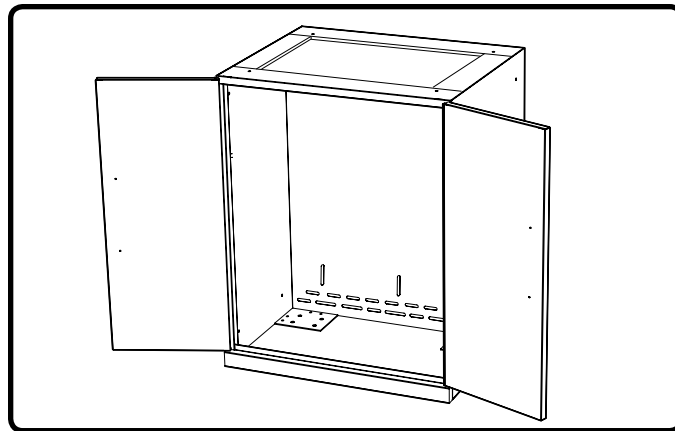


Fixation des armoires à roulettes

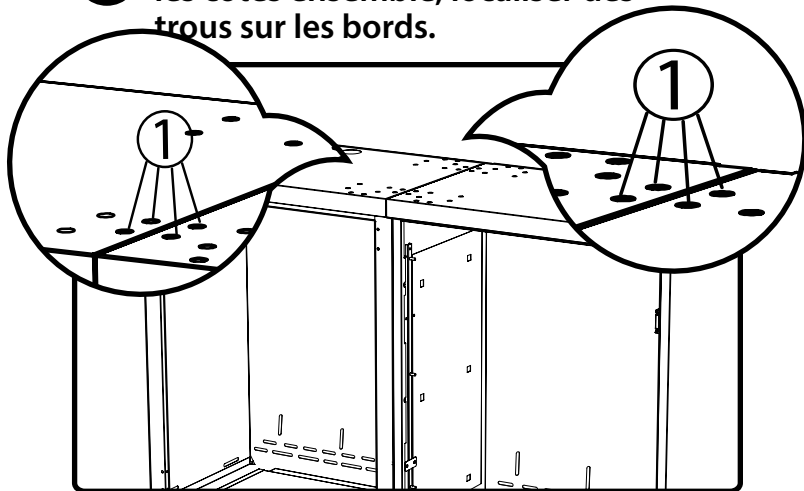
i Pièces nécessaires.



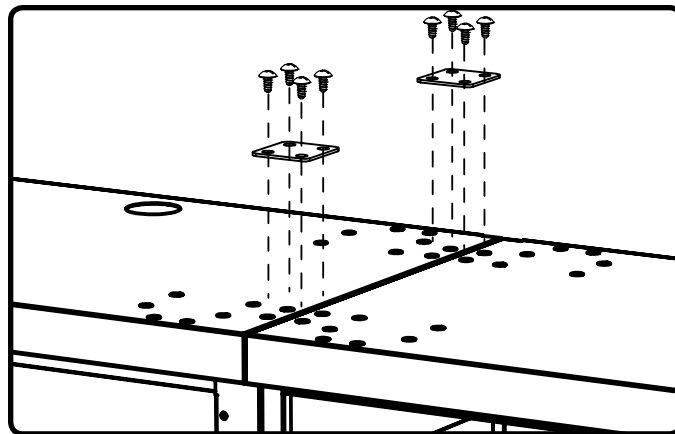
1 Ouvrir l'armoire et retirer les étagères ou les objets épars.



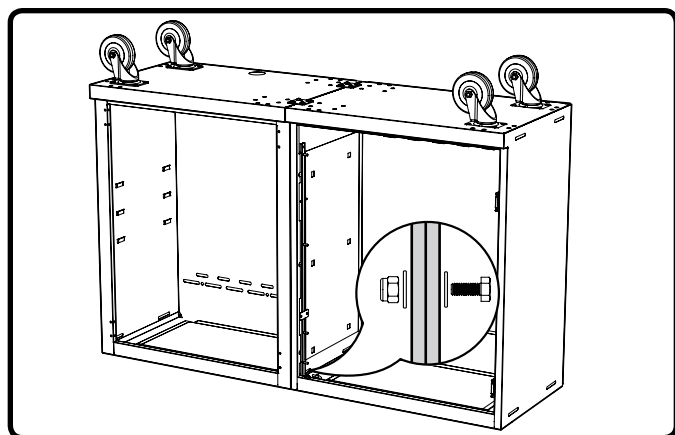
2 Retournez les armoires et pousser les côtés ensemble, localiser des trous sur les bords.



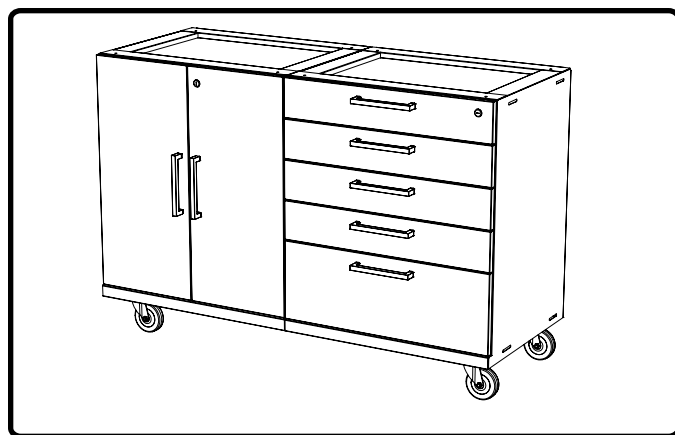
3 Aligner les trous avec jonction plaque et fixer à l'aide des vis de fixation du pied.



4 Fixer les roulettes et fixer les armoires. Voir [pages 19 & 28](#).

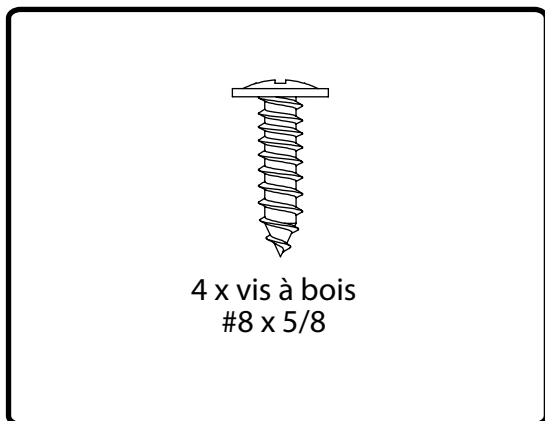


5

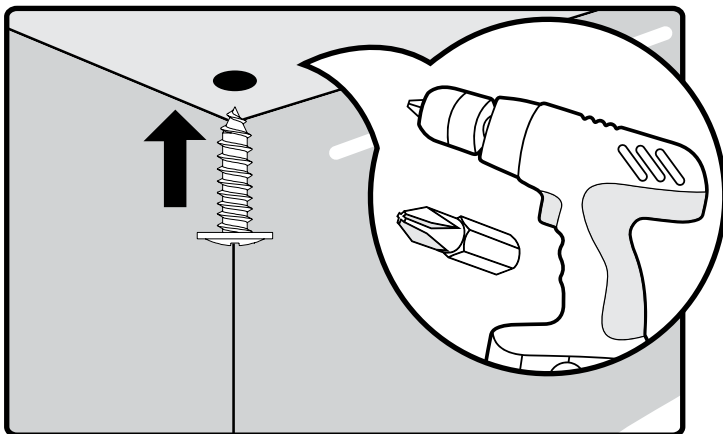


Montage du plan de travail

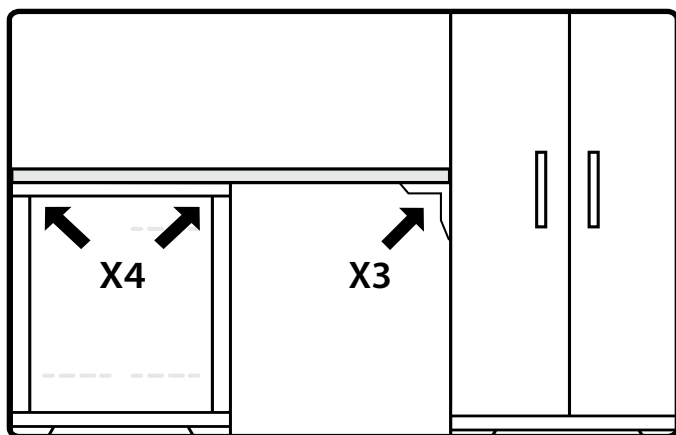
i Pièces nécessaires.



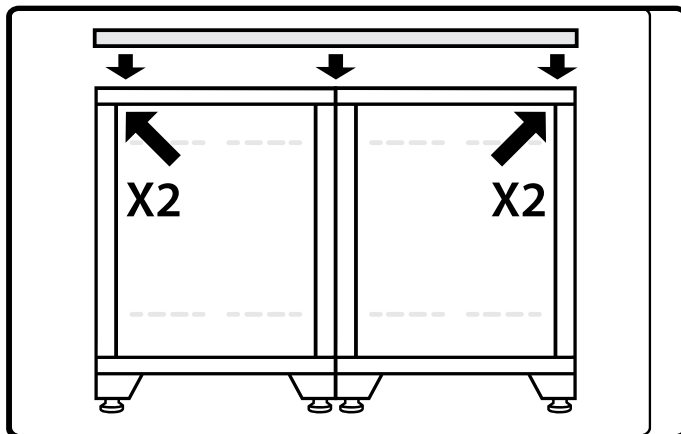
2 Percer dans le plan de travail en utilisant les "vis # 8 x 5/8 de bois.



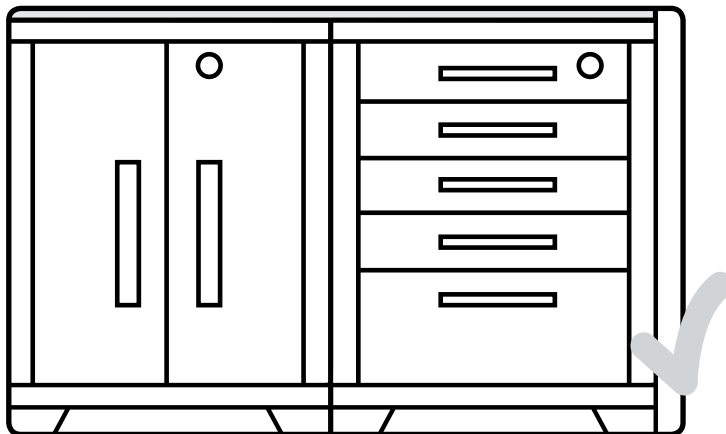
i En option: Pour le casier console de support. Voir [page 22](#).



1 Placez le plan de travail sur les armoires. Aligne le plan de travail avec les trous de perforation sur le dessus des armoires.



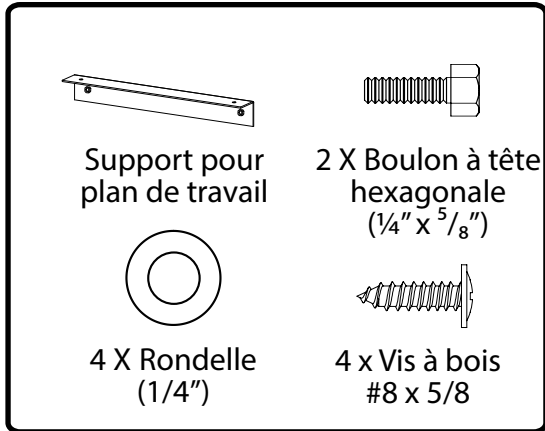
3



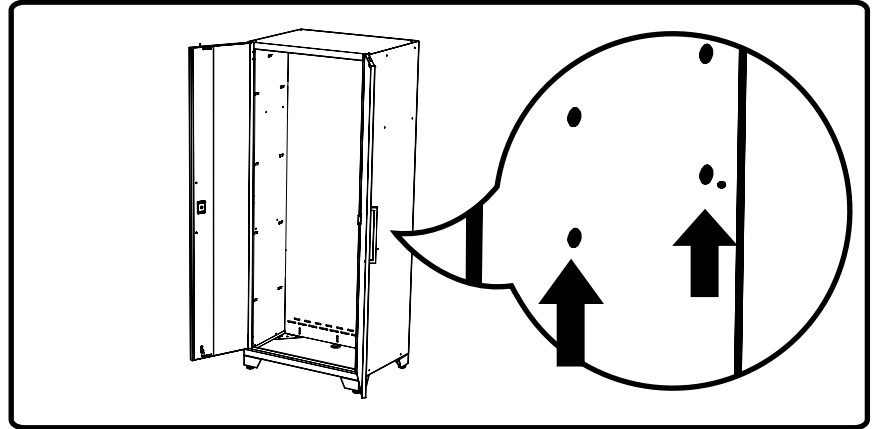
Installation du palier de support latéral du plan de travail

Note: Support d'établis inclus avec casier. Un support d'établi doit être utilisé si l'établi est ajouté à l'ensemble sans un armoire secondaire.

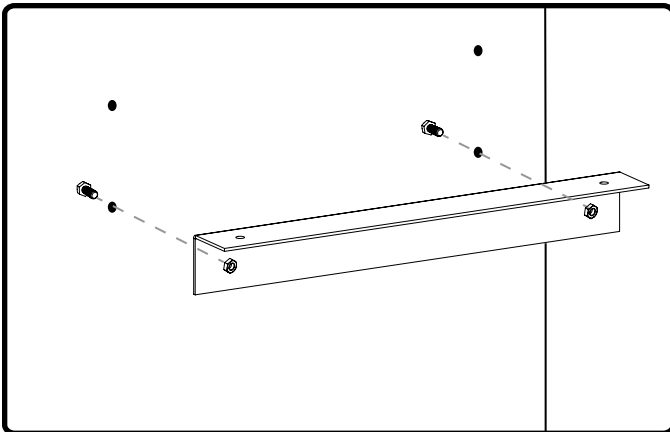
i Pièces nécessaires.



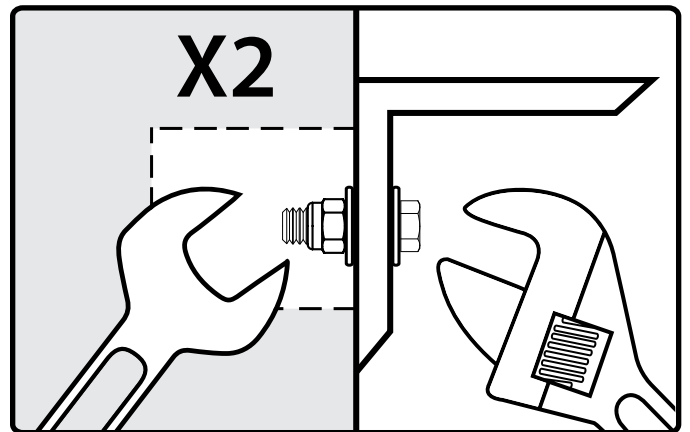
1 Ouvrir l'armoire-vestiaire et repérer les trous de chaque côté de l'armoire.



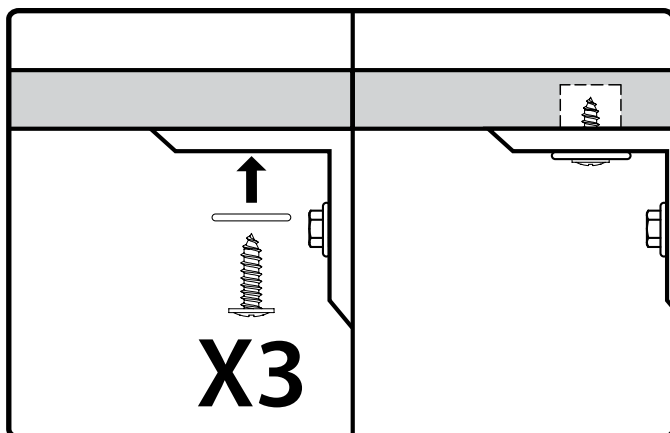
2 Aligner les trous du support avec des trous de casier et insérer des boulons à tête hexagonale à travers les trous.



3 Serrer les écrous, boulons et rondelles de sécurité.

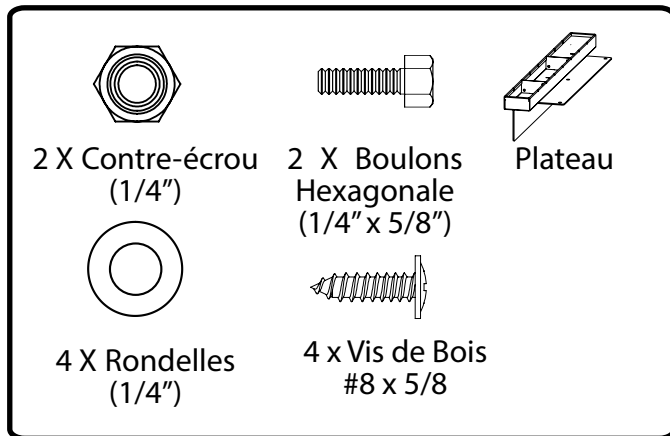


4 Utilisez # 8 x 5/8" vis à bois et des rondelles, fourni dans l'emballage de casier.

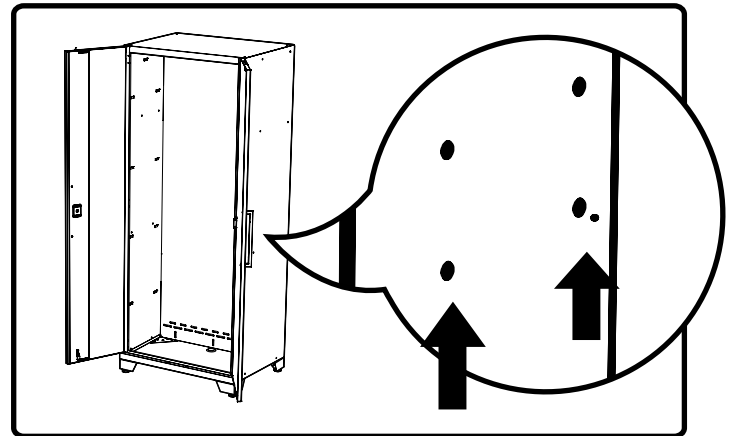


Installation de plateau

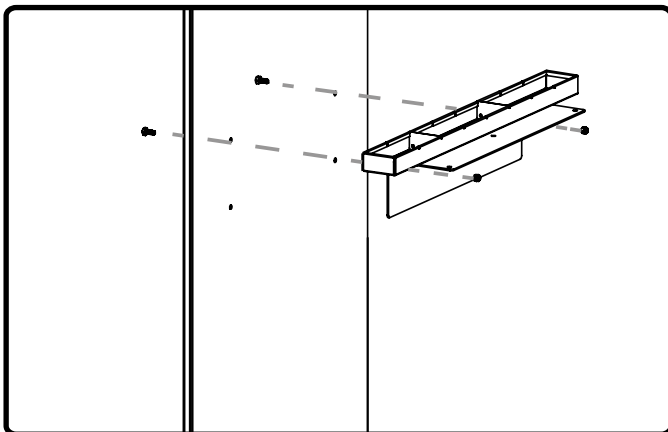
i Pièces nécessaires.



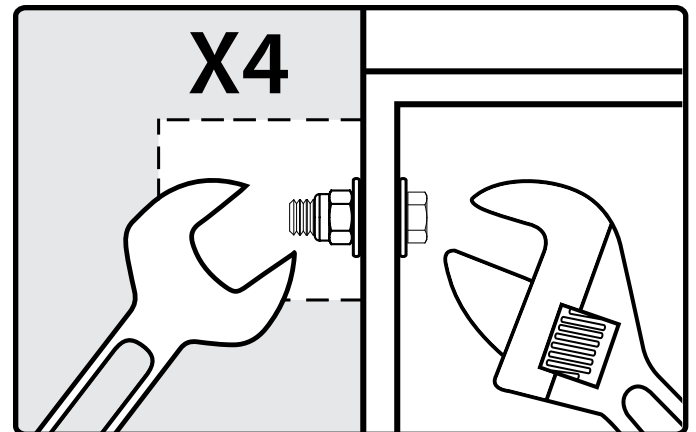
1 Ouvrez les portes du casier et localiser des trous sur les panneaux latéraux.



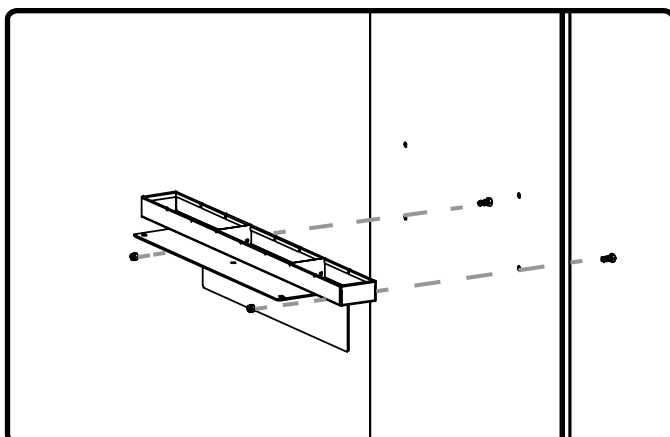
2 Aligner les trous du support avec l'avant ou l'arrière du casier et insérez les boulons à tête hexagonale à travers les trous.



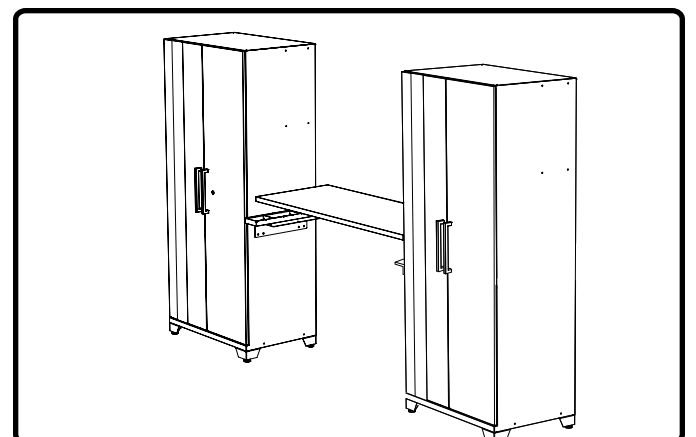
3 Serrer les écrous, boulons et rondelles de sécurité.



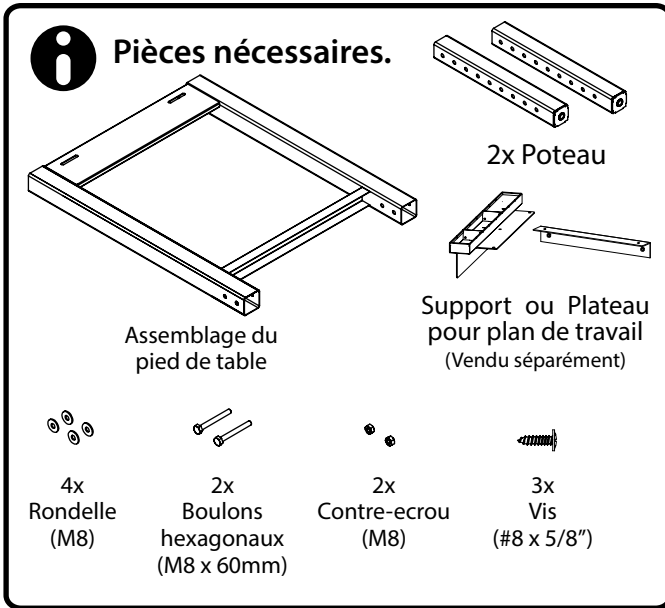
4 Installez le support lateral du plan de travail sur casier opposé. Voir page 19.



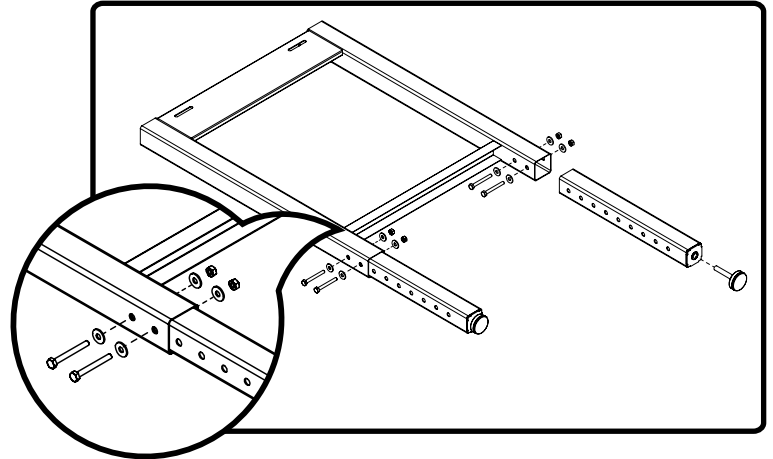
5 Baisser le plan de travail en position et fixer à l'aide # 8 x 5/8 "vis.



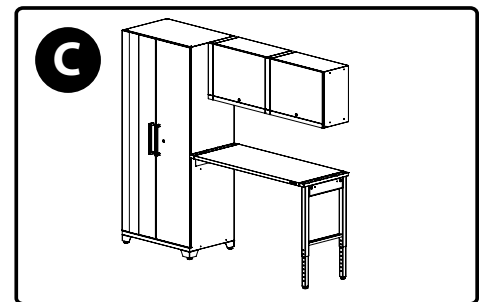
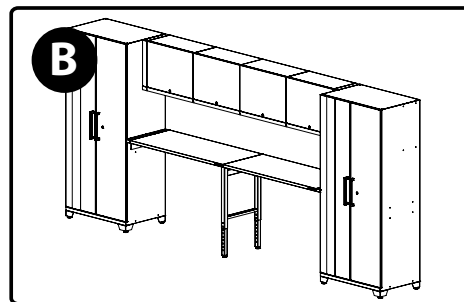
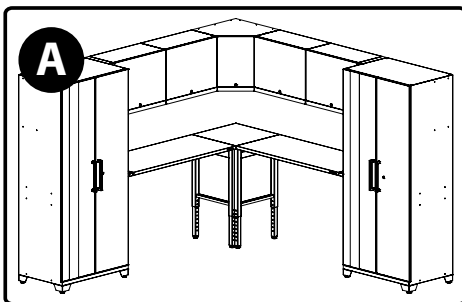
Installation de la jambe de support du plateau



1 Insérez les pieds filetés et les montants de jambe réglables à la hauteur désirée et fixez en utilisant des boulons (M8 x 60mm), écrous et rondelles

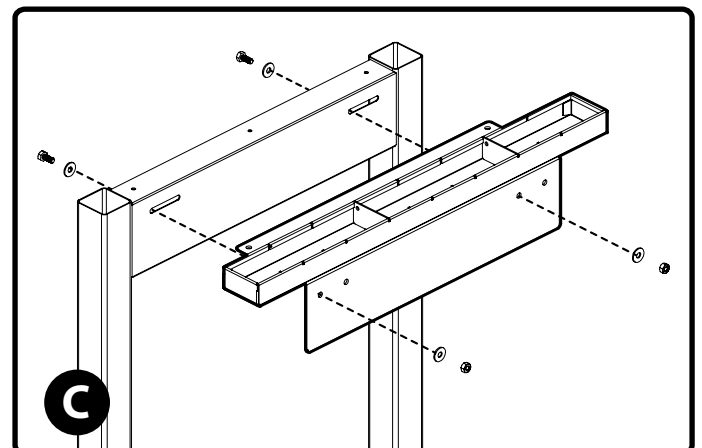
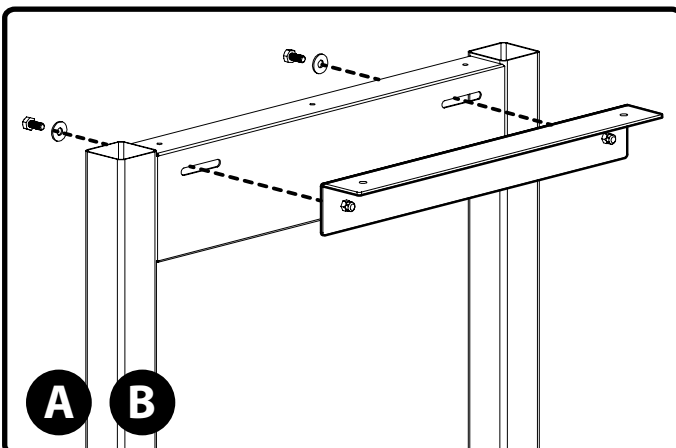


2 Déterminez l'option d'installation A, B ou C et attachez support pour plan de travail ou le plateau d'espacement aux pieds de support de plan de travail.

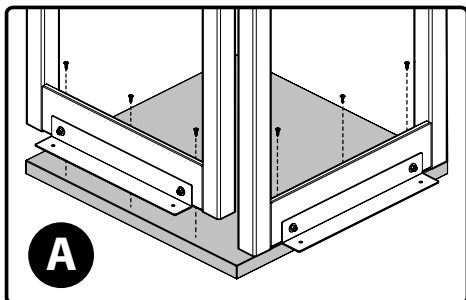


Pour les options d'installation A ou B, fixez les pieds de support de plan de travail au pieds de support de plan de travail à l'aide de 2 boulons hexagonaux (1/4 "x 5/8") et de rondelles.

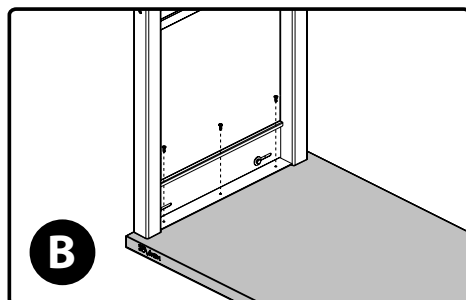
Pour l'option d'installation C, fixez les pieds de support du plan de travail au plateau d'écartement à l'aide de boulons hexagonaux (1/4 "x 5/8"), de rondelles et de contre-écrous.



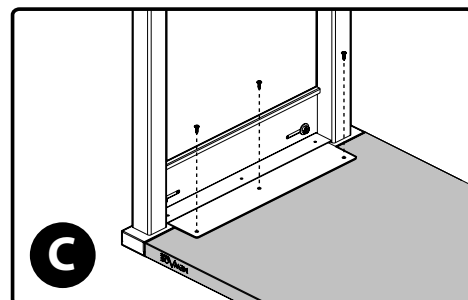
3 Fixez le support de plan de travail au plan de travail en utilisant les vis à bois #8 - 5/8".



Option d'installation A:
Fixez un support de plan de travail sur chacun des bords avant sur le plan de travail en coin. Les pieds de support du plan de travail doivent être encastrés le long des côtés et de l'arrière du plan de travail.

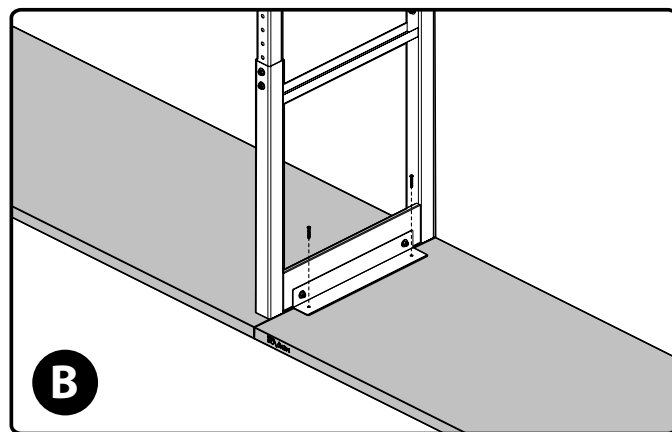
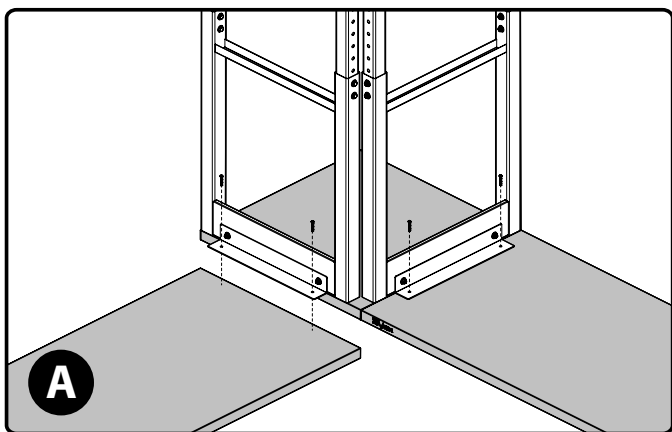


Option d'installation B:
Fixez un pied de support de plan de travail à ras de l'un des deux plans de travail.



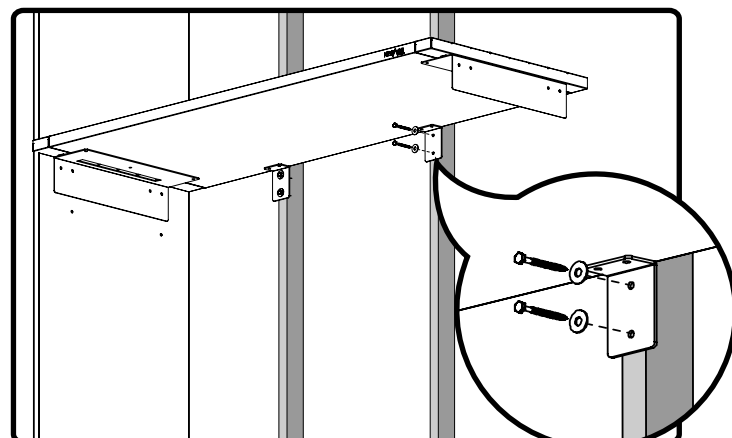
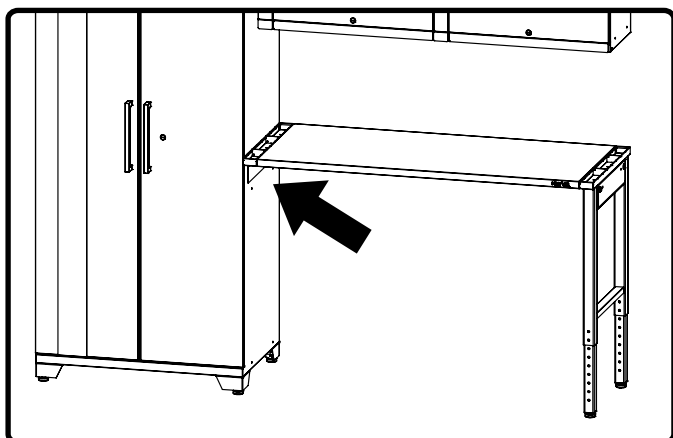
Option d'installation C:
Fixez le plateau du plan de travail, à ras de l'extrémité du plan de travail.

4 Faites tourner les plans de travail restants en place et fixez le plan de travail au support à l'aide de vis # 8 x 5/8". Si aucun plan de travail supplémentaire n'est installé, passez à l'étape 5.



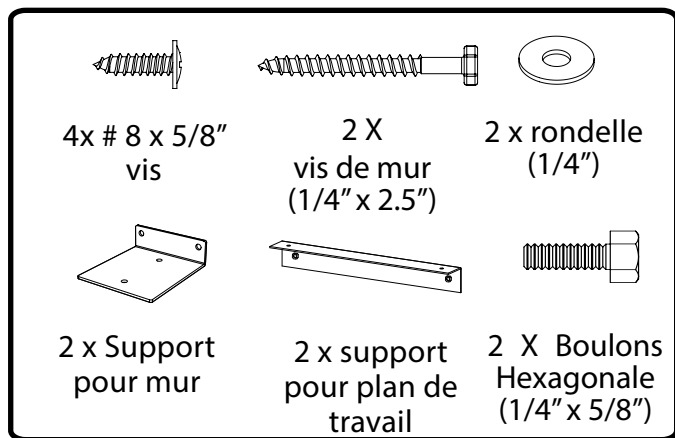
5 Suivez les instructions de la section «Installation du plateau de support latéral de plan de travail» à la [page 23](#) pour fixer l'autre extrémité du ou des plans de travail.

6 Installez les supports de mur de plan de travail dans les montants de mur en dessous du plan de travail en utilisant des vis de 2,5" avec des trous pilotes de 3/16".

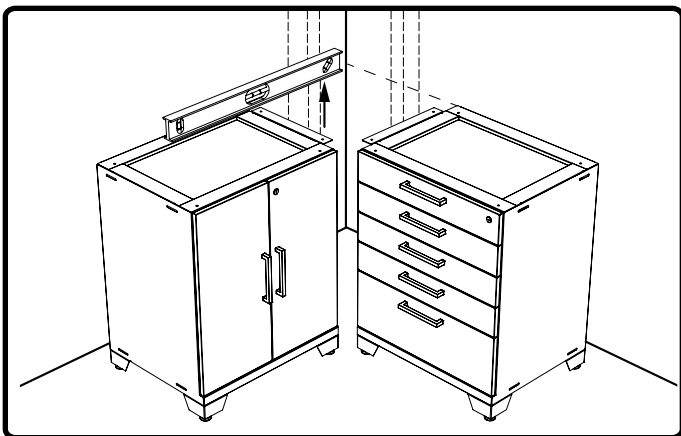


Installation du plan de travail a l'angle

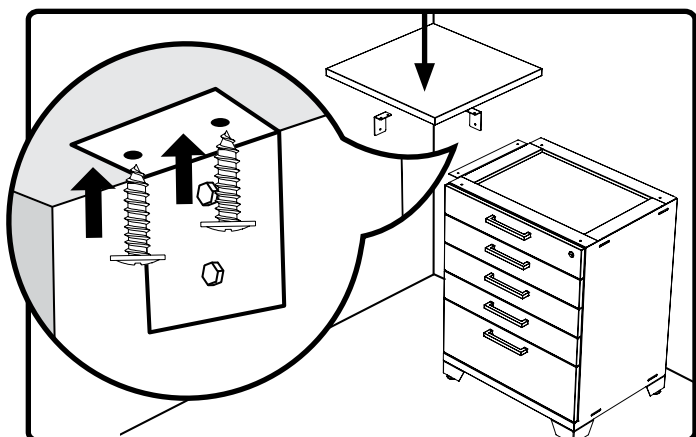
i Pièces nécessaires.



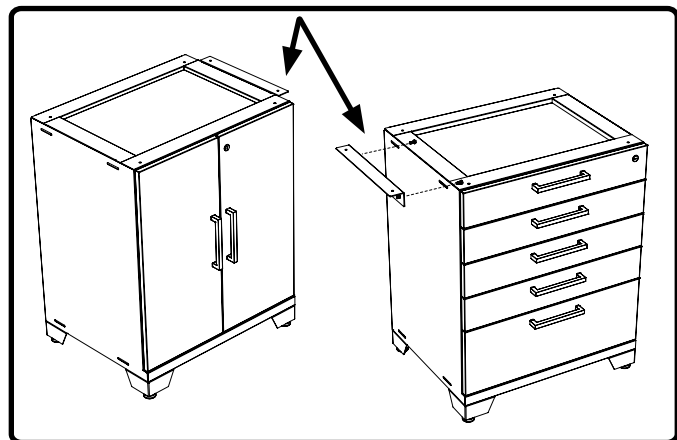
2 Placez les deux armoires dans le coin désiré. Faites une ligne de crayon au niveau de la hauteur des armoires.



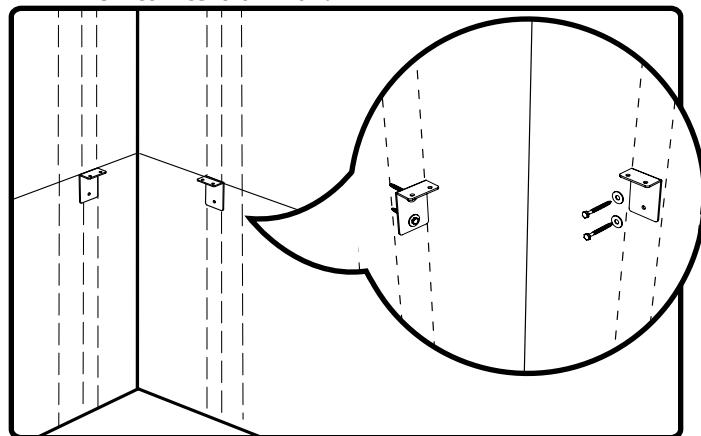
4 Positionner une armoire en position et fixer le plan de travail au supports.



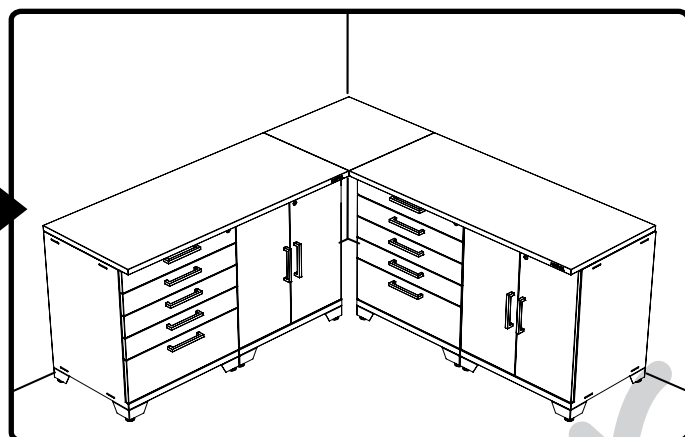
1 Installez supports latéraux sur les deux armoires de base qui seront adjacentes à angle plan de travail. Voir l'étape 2 entre crochets de support latéral à la [page 22](#).



3 Aligner le haut du support mural avec la ligne de crayon et en utilisant 2,5 vis attacher les supports de mur dans les montants du mur.

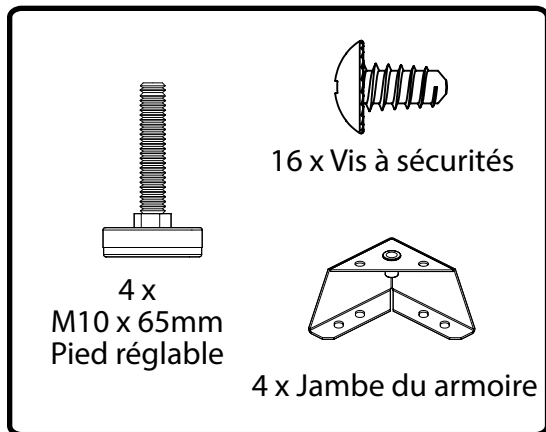


5 Fixer les armoires et les plan de travail restants.

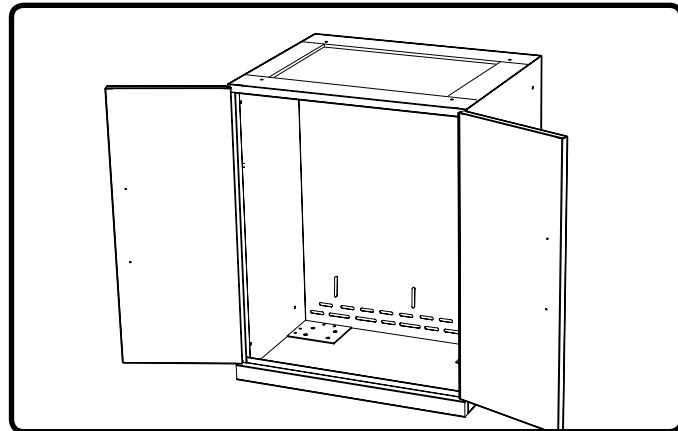


Installation des pieds

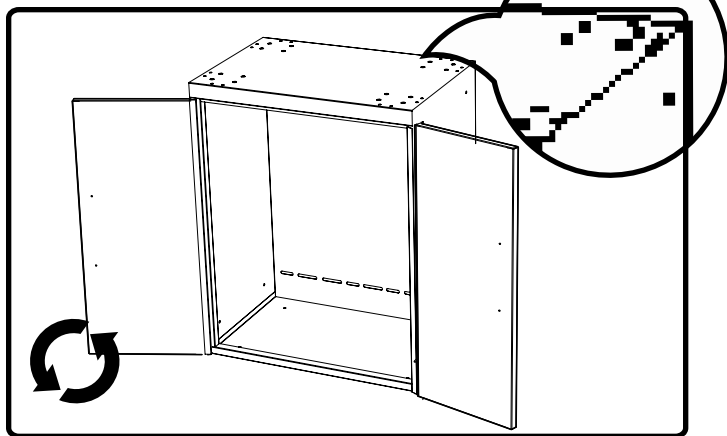
i Pièces nécessaires.



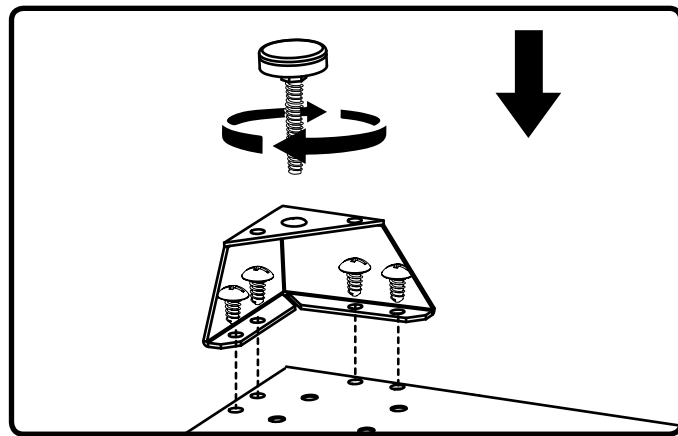
1 Ouvrir l'armoire et retirer les étagères ou les objets épars.



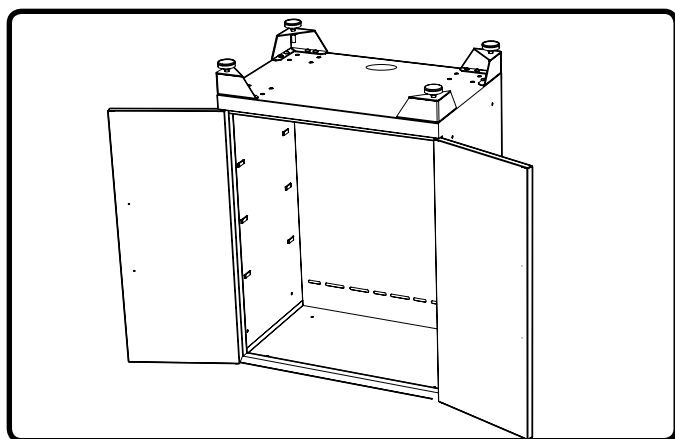
2 Retourner l'armoire et repérer les trous dans les coins.



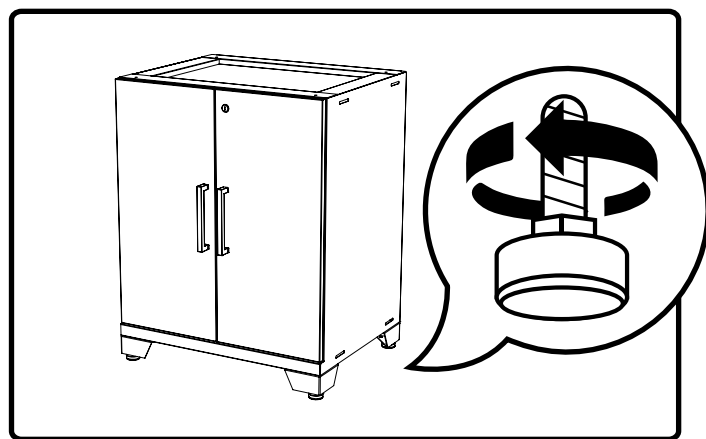
3 Aligner la jambe avec le bord de l'armoire. Visser 4 x vis de sécurités au pied et le pied de mise à niveau.



4 Répétez les étapes 3 pour chaque coin.



5 Remettre à l'endroit et niveler.

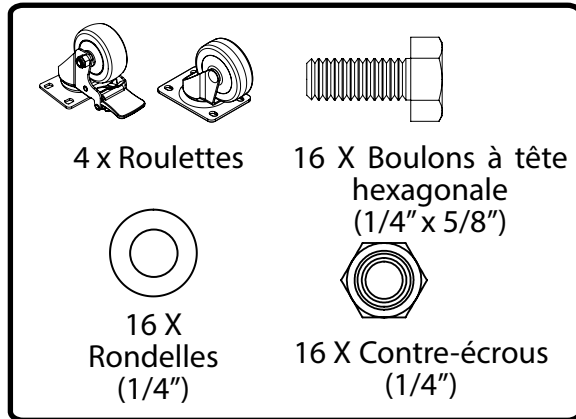


Installation des roulettes

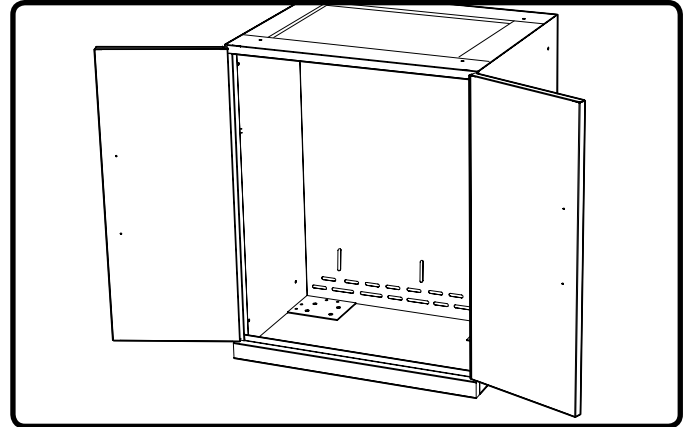
Remarque: Roulettes avec freins doit être installer vers le face avant des armoires

Avertissement: Toujours verrouiller les roulettes lorsqu'ils ne sont pas en cours d'utilisation.

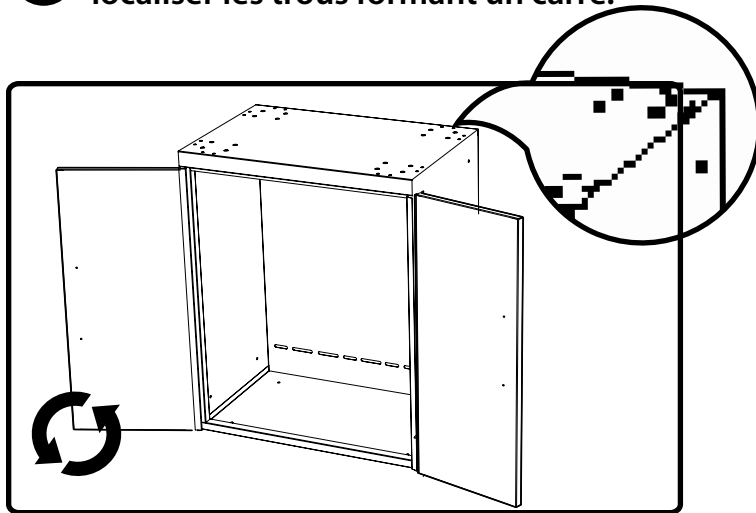
i Pièces nécessaires.



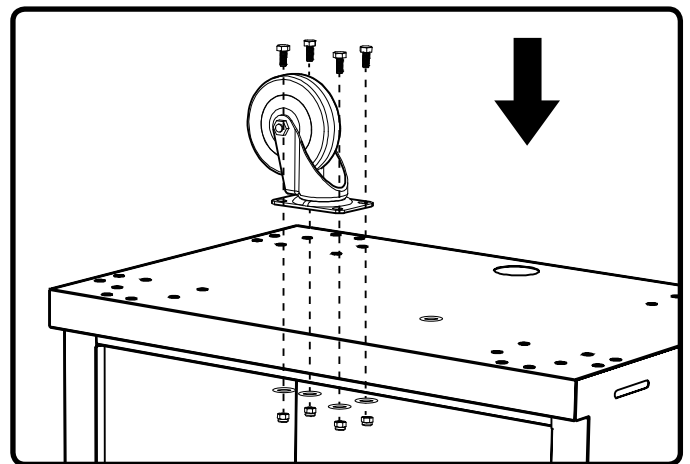
1 Ouvrir l'armoire et retirer les étagères ou les objets épars.



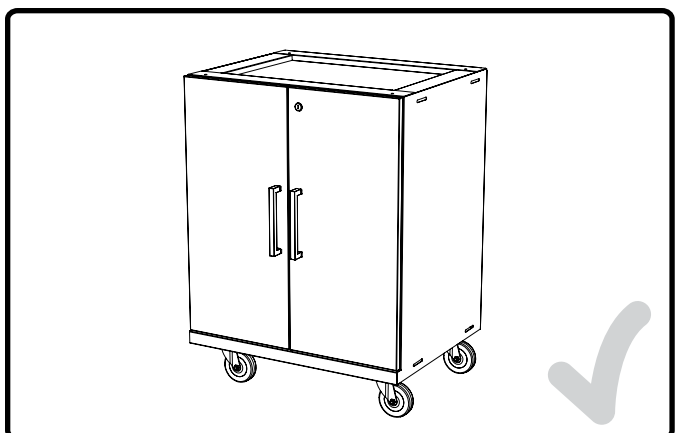
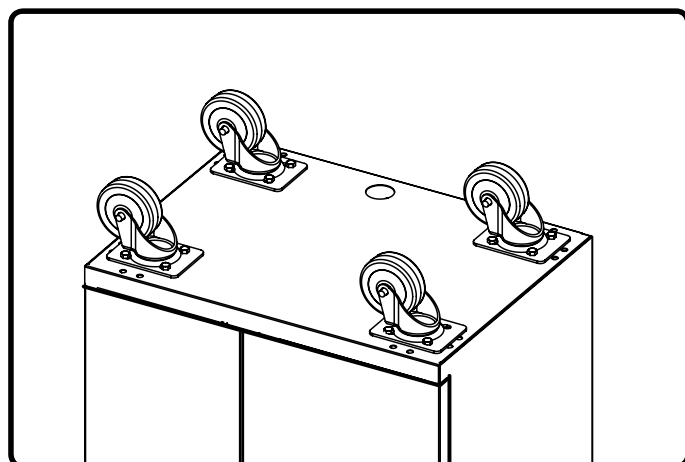
2 Retournez l'armoire à l'envers, localiser les trous formant un carré.



3 Aligner le pied sur les trous. Fixer avec les 4 boulons à tête hexagonale, rondelles, rondelles de sécurité et écrous.

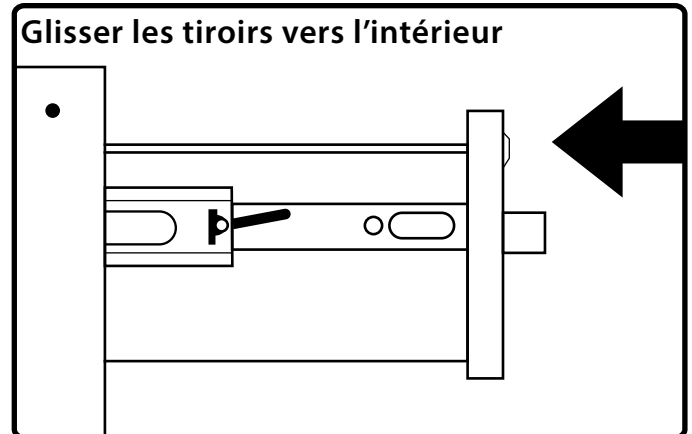
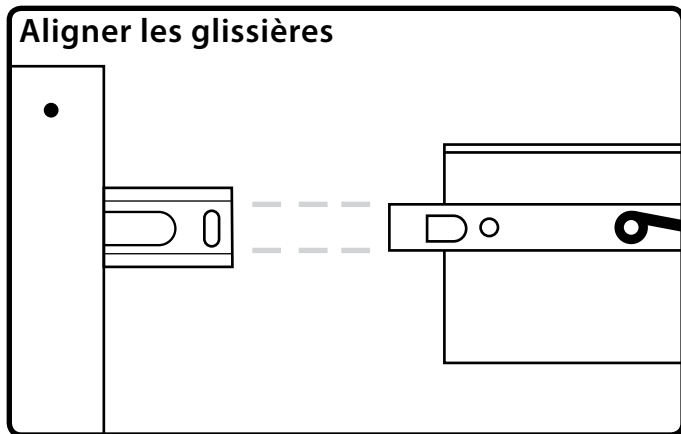


4 Répétez l'étape 3 pour chaque coin.

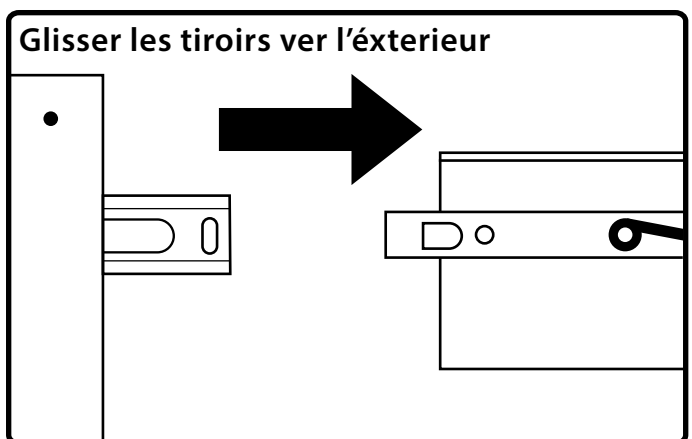
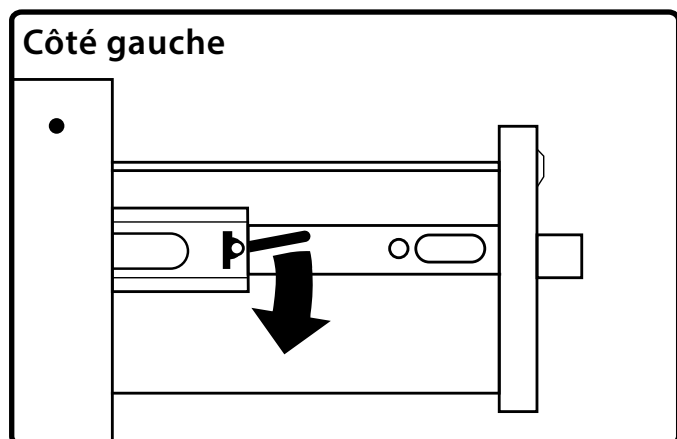
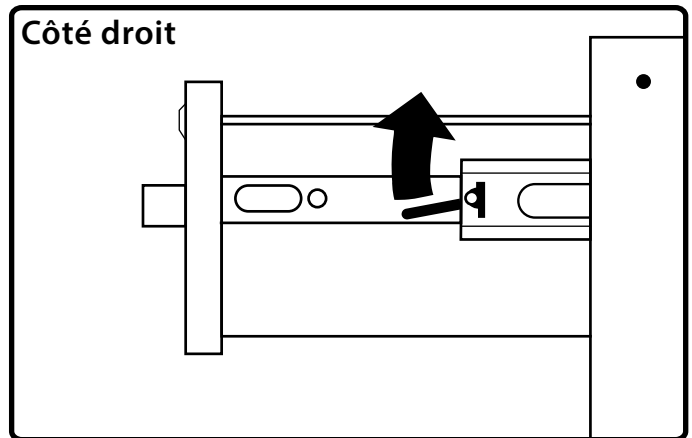
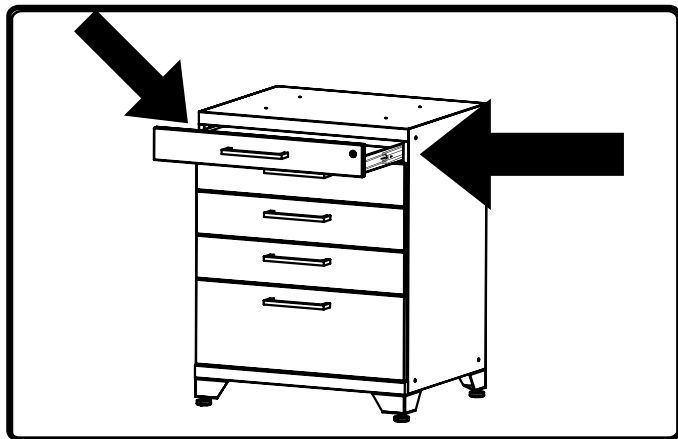


Installation des tiroirs

Insertion des tiroirs.

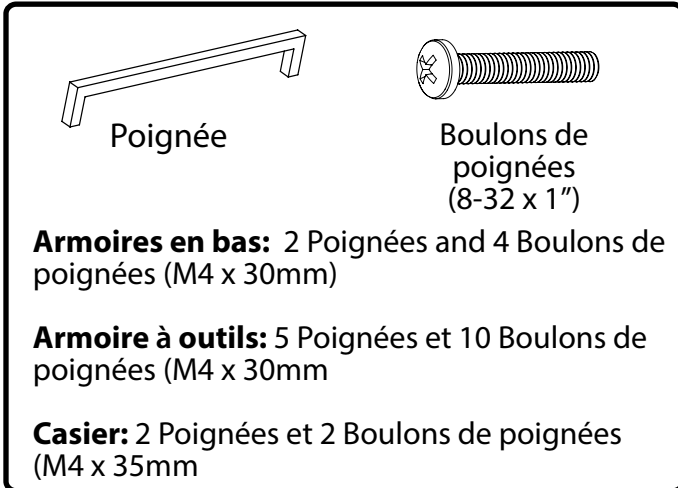


Retrait des tiroirs

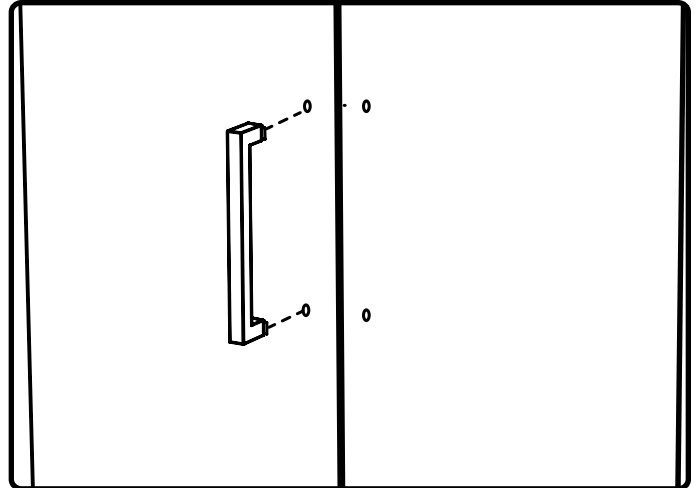


Installation des poignées

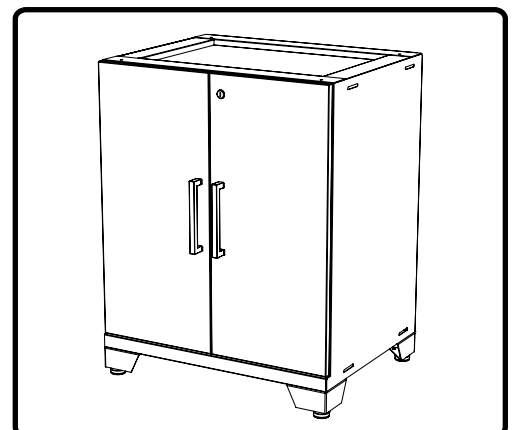
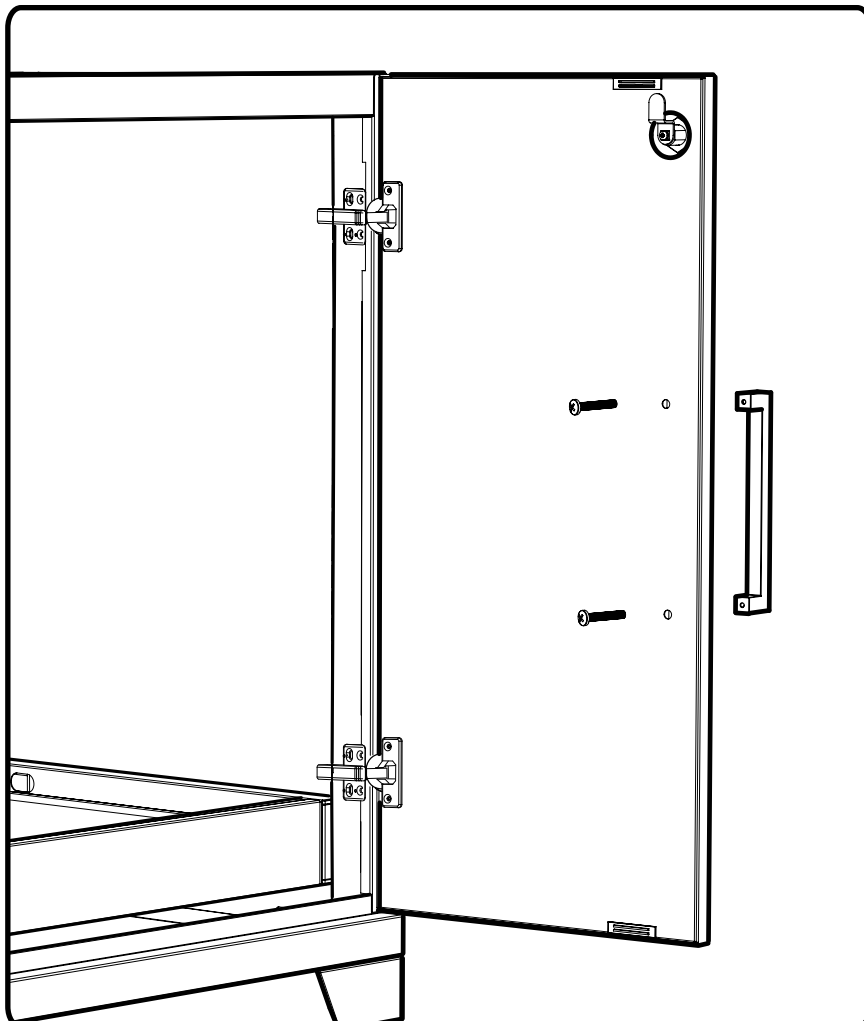
1 Pièces nécessaires.



2 Aligner les trous de poignées avec les trous dans les portes ou dans les tiroirs.



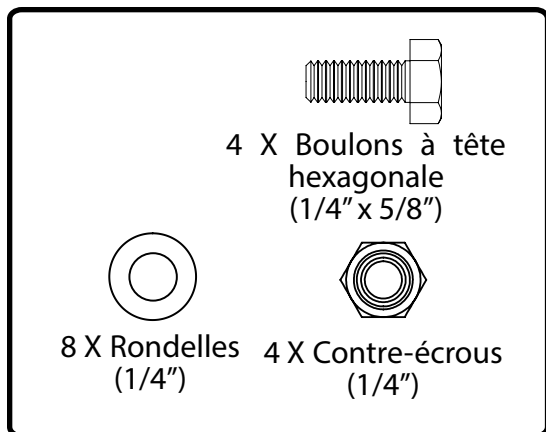
3 Visser les vis.



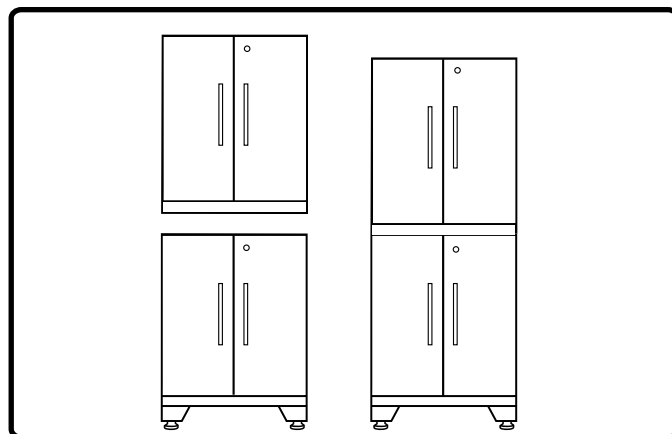
Empilage des armoires

Remarque: Ne pas dépasser la capacité de poids des pieds. Voir [page 5](#).

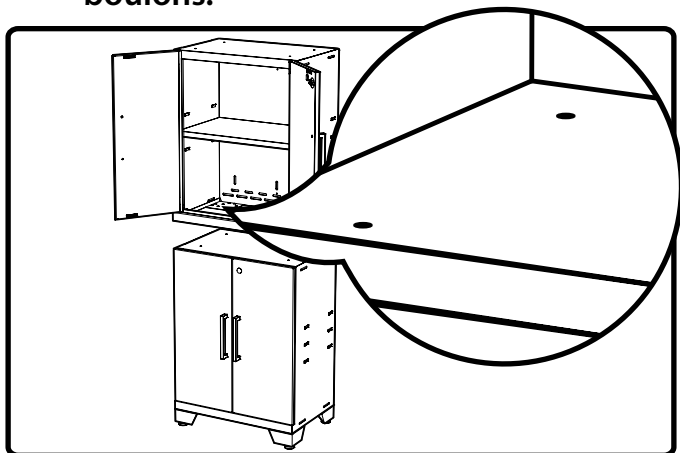
i Pièces nécessaires.



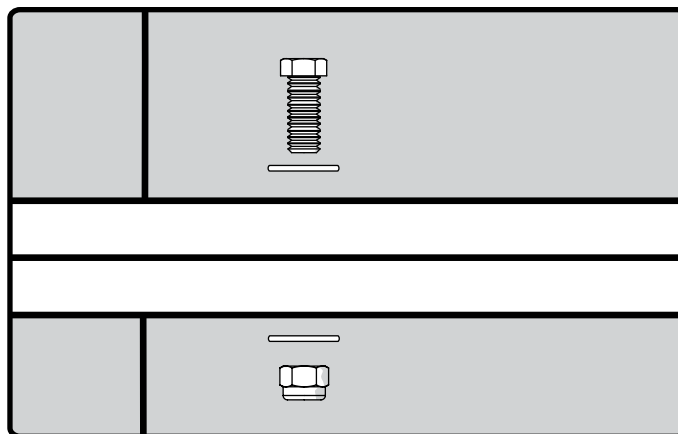
1 Positionner une deuxième armoire en bas sur le dessus d'une autre armoire en bas existante.



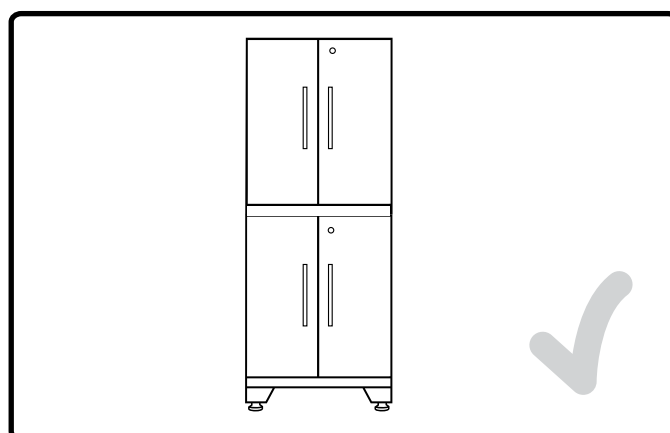
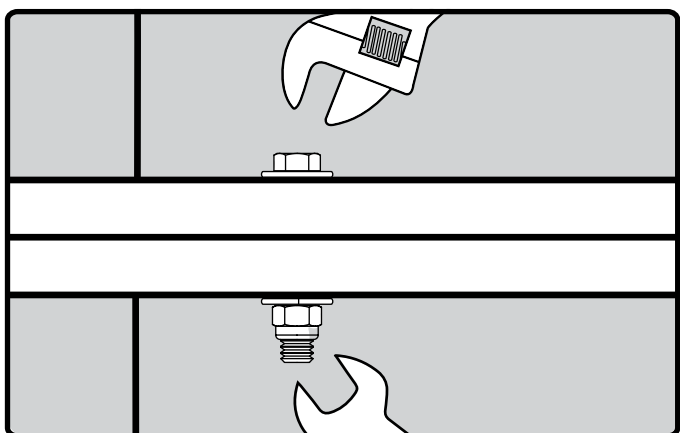
2 Localiser les trous pré-perçés sur la surface adjacente et insérer les boulons.



3 Fixer les armoires à l'aide des boulons à tête hexagonale de 1/4" x 5/8", des rondelles et des écrous fournis.

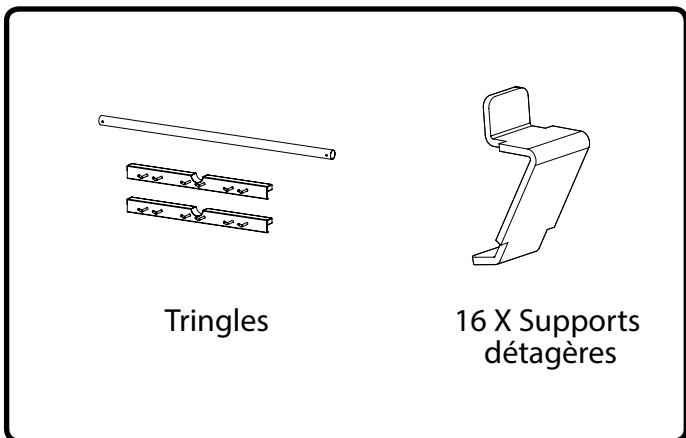


4 Serrer tous les boulons.



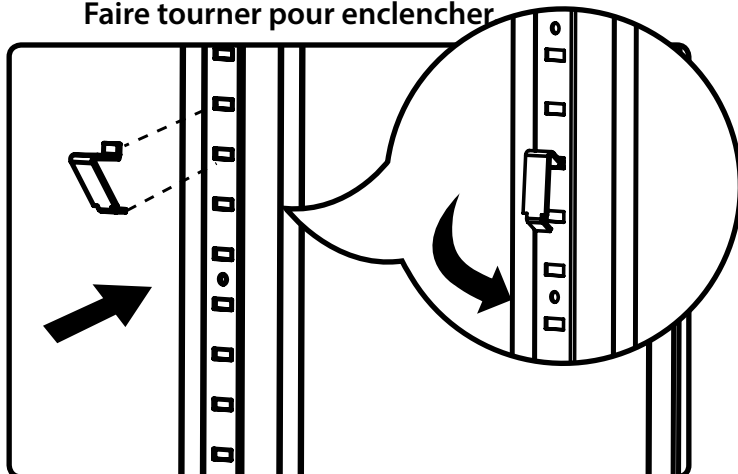
Insertion de la tringle et du portemanteau de l'armoire

1



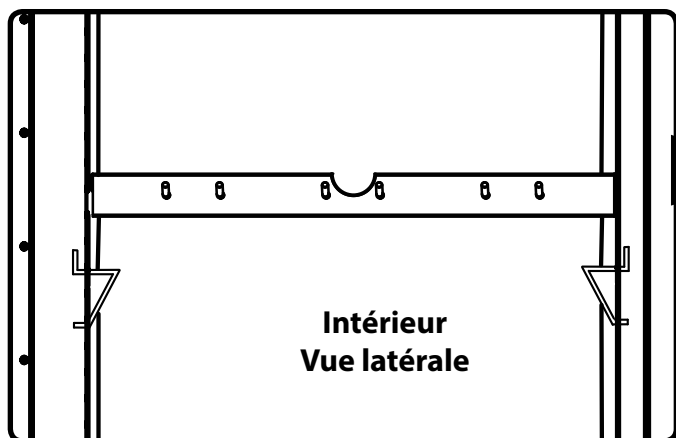
2

Ouvrir les portes de l'armoire et insérer les agrafes dans les fentes situées dans les coins. Faire tourner pour enclencher.



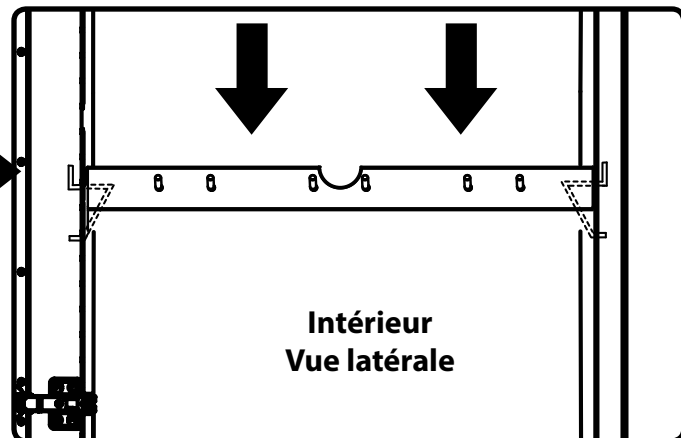
3

Placer le portemanteau contre le mur au-dessus des supports.



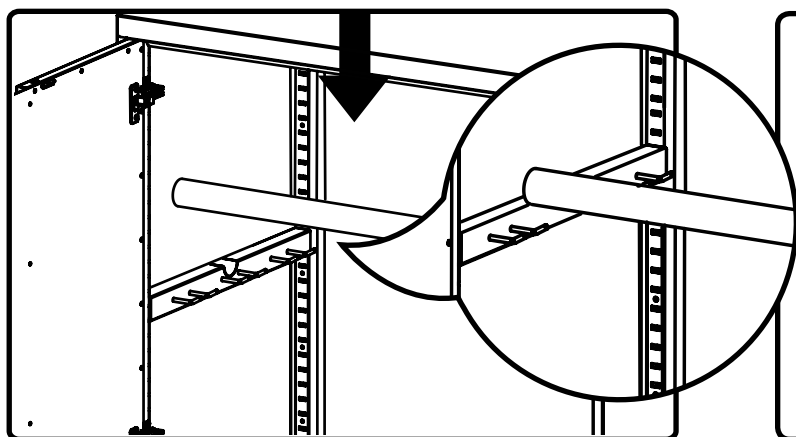
4

S'assurer que le rebord arrière glisse derrière les agrafes et que le support est bien fixé.

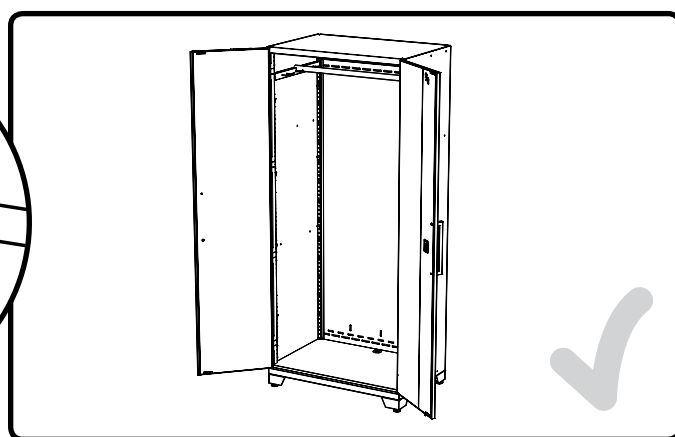


5

Abaisser la tringle et la mettre dans l'étrier.

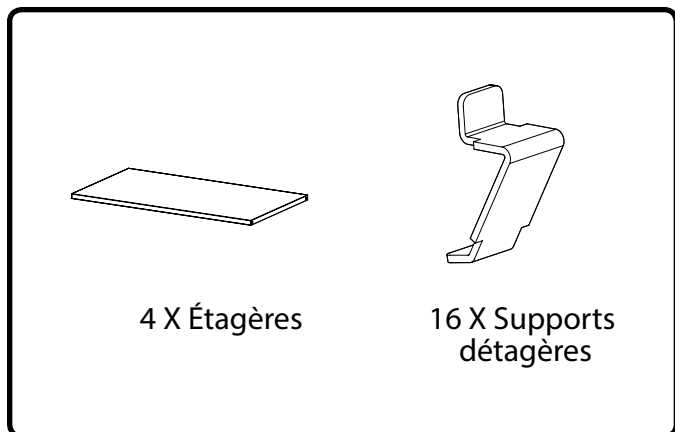


6

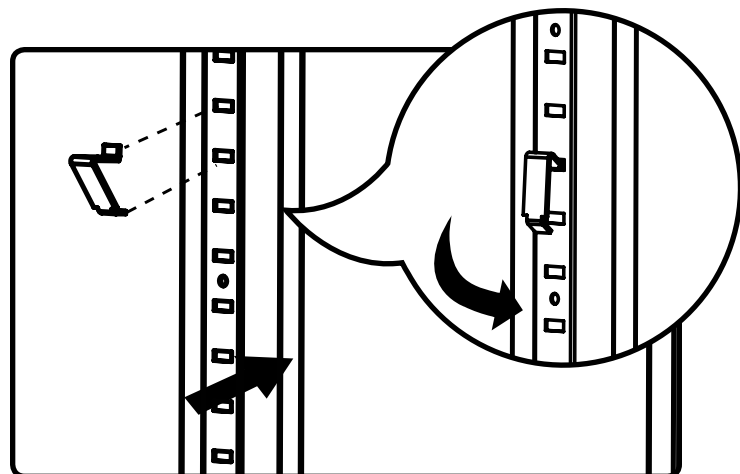


Insertion des étagères d'armoire

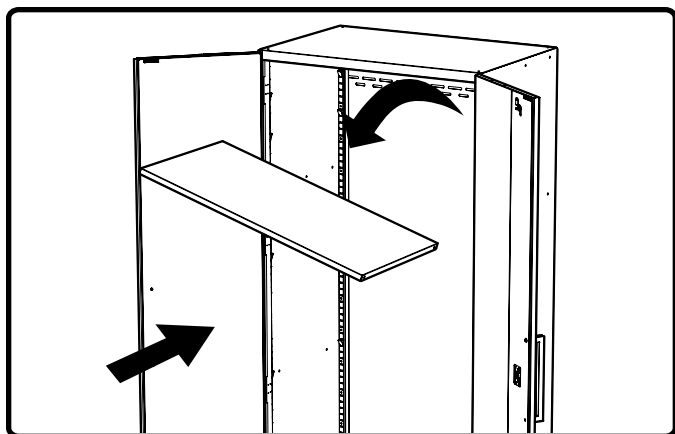
- 1** Ouvrir les portes de l'armoire.



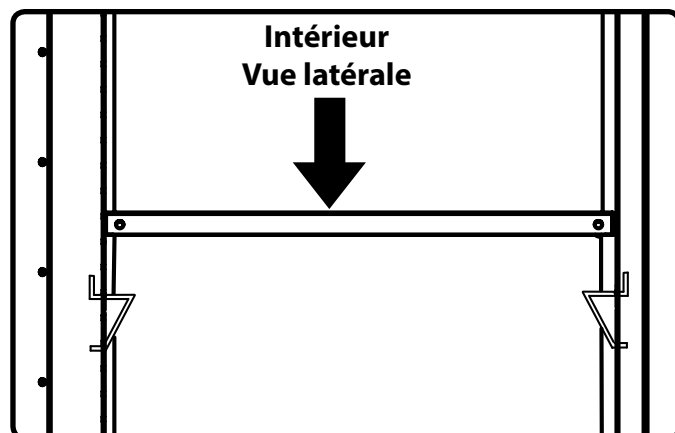
- 2** Insérer l'agrafe de l'étagère légèrement en biais et faire pivoter jusqu'à ce qu'elle soit à niveau.



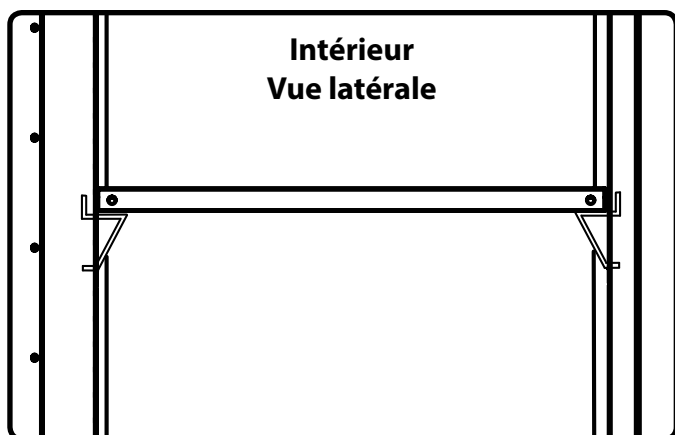
- 3** Insérer l'étagère en biais et faire pivoter jusqu'à ce qu'elle soit à niveau.



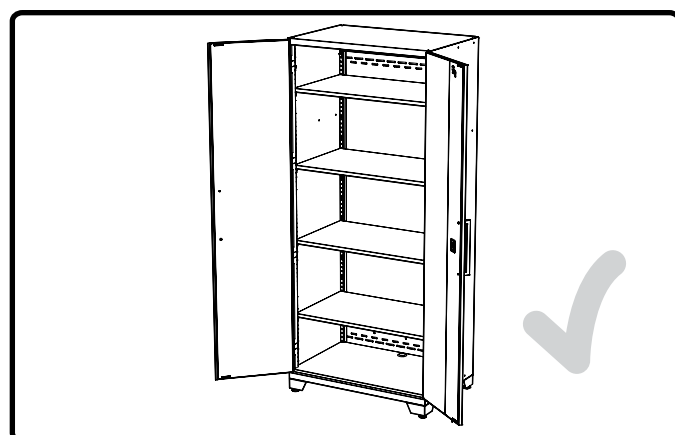
- 4** Abaisser l'étagère sur des supports.



- 5** Appuyer l'étagère sur des supports.

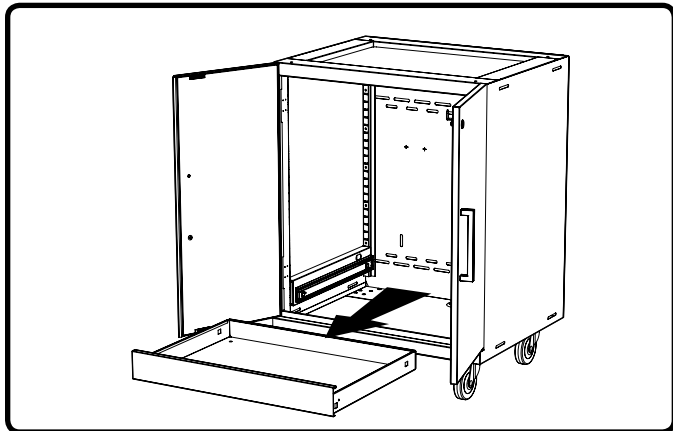


- 6** Insérer le reste des étagères.

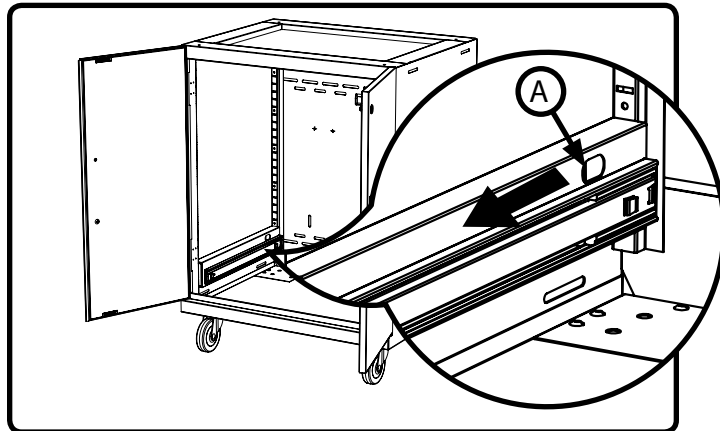


Tiroir détachables et ajustable pour meuble en bas

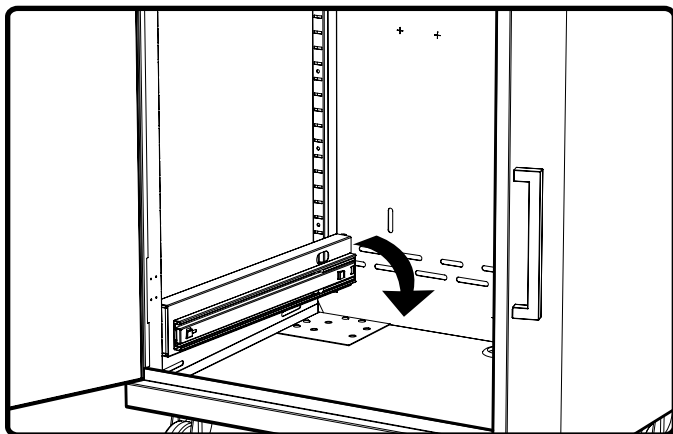
- 1** Retirer le tiroir suivant les instructions à la [page 29](#).



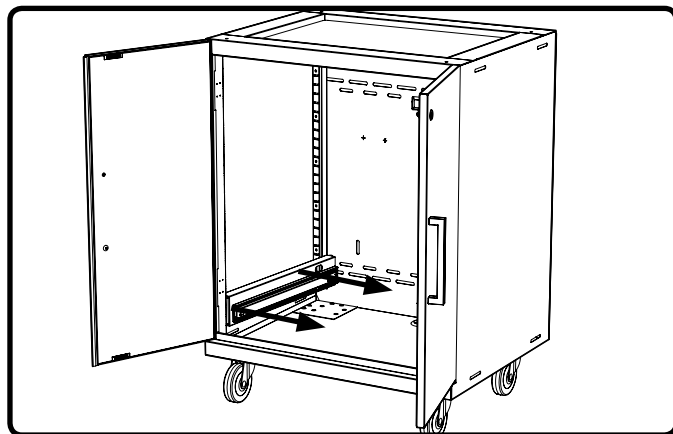
- 2** Localiser le trou (A) dans le tiroir coulissant. En utilisant le doigt appuyer le bouton de ressort et maintenir.



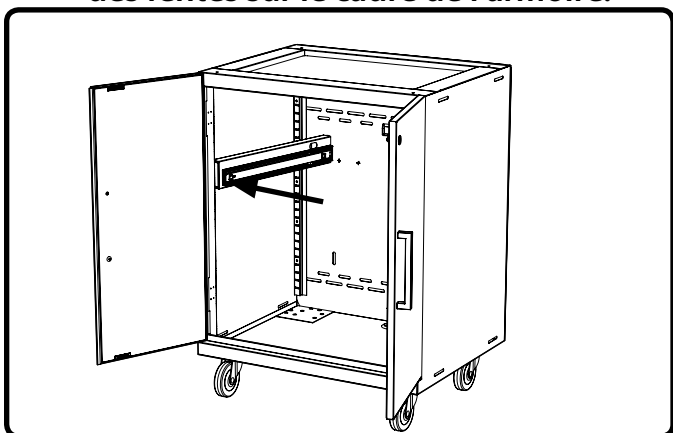
- 3** Pivoter le glissière de tiroir de l'arrière de l'armoire.



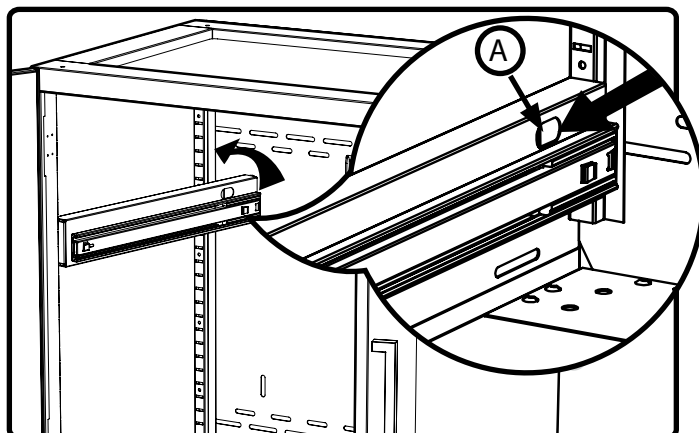
- 4** Retirez le tiroir glissière de l'armoire et fait passer à la hauteur désirée.



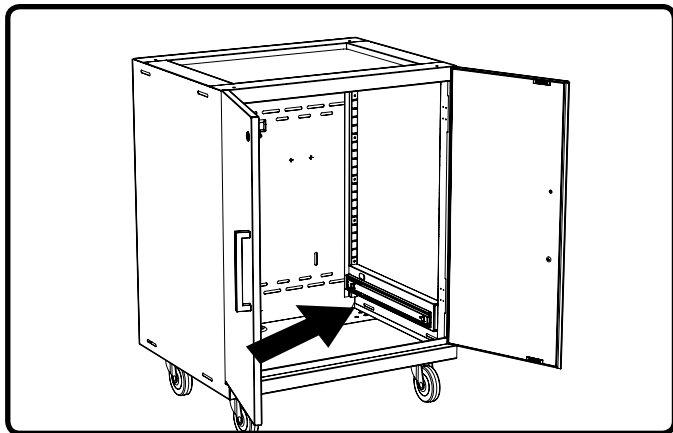
- 5** Insérez le tiroir glissière en commençant à l'avant. Assurer les onglets de montage coulissant dans des fentes sur le cadre de l'armoire.



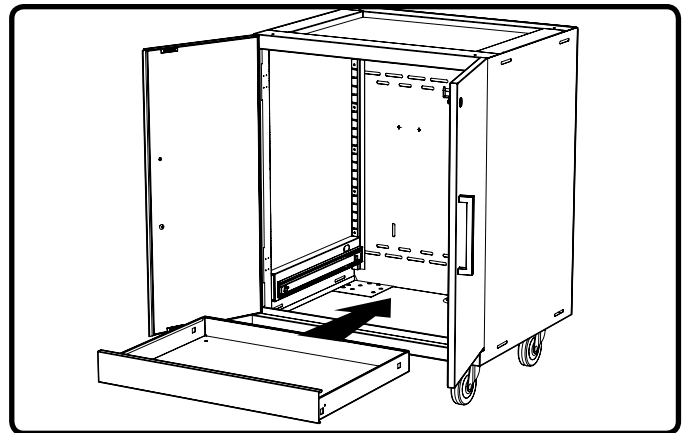
- 6** Pivoter le tiroir glissière au fond de l'armoire et relâchez le bouton à ressort (A) en veillant à ce qu'il se verrouille en place.



7 Repeat steps 2 - 7 for 2nd slide mount.

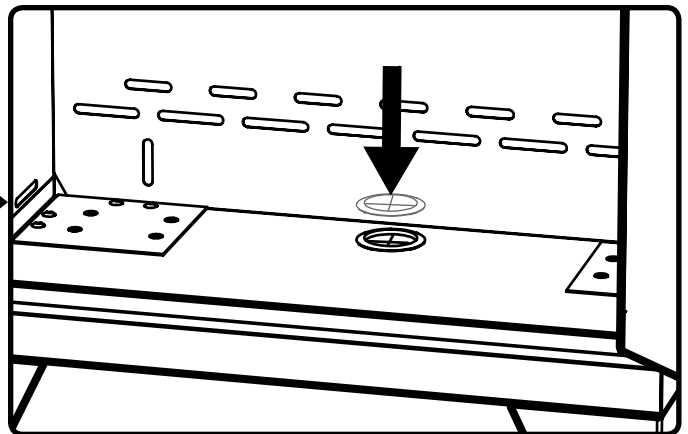
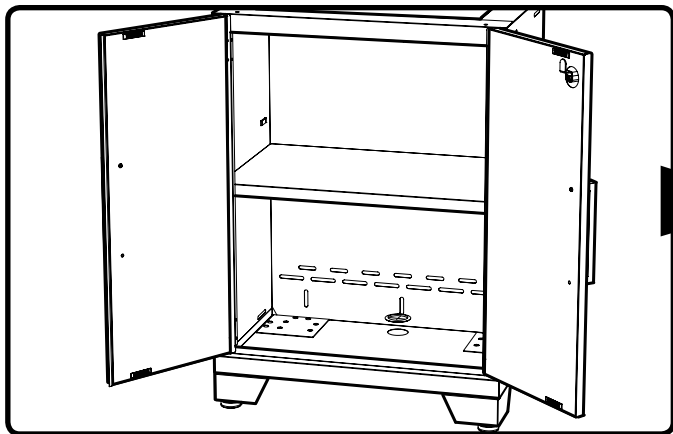


8 Reinstall Pull-out shelf following steps from [page 29](#).

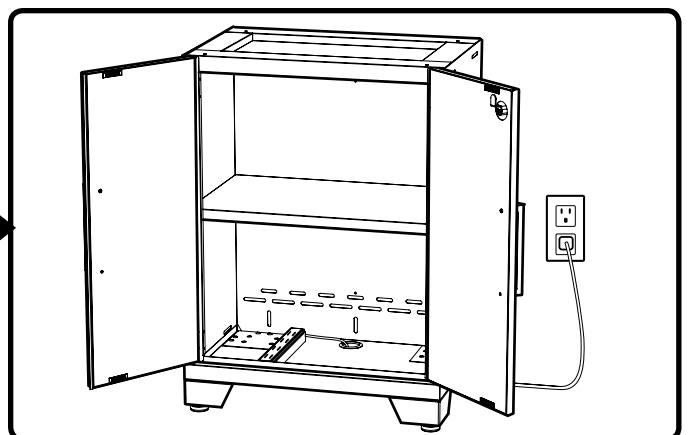
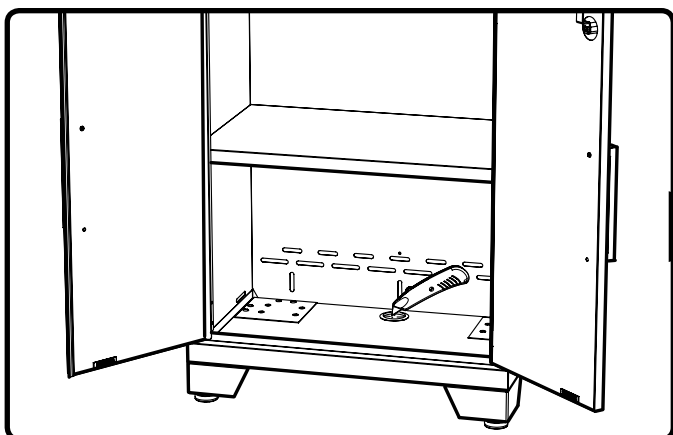


Trous d'accès

1 Insérer le rondelle en caoutchouc dans le trou d'accès.

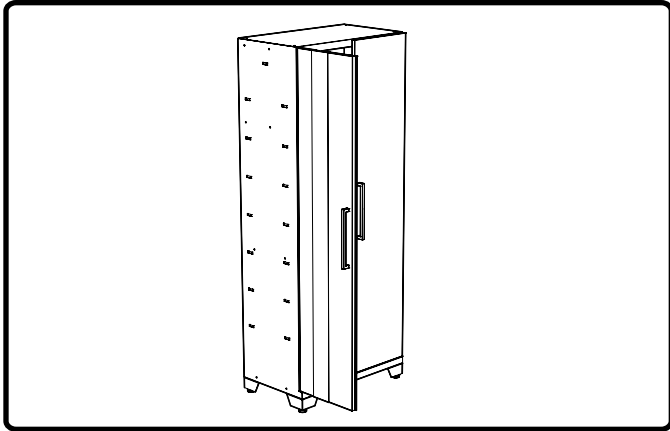


2 Trou utilitaire permet un accès facile à la prise électrique.

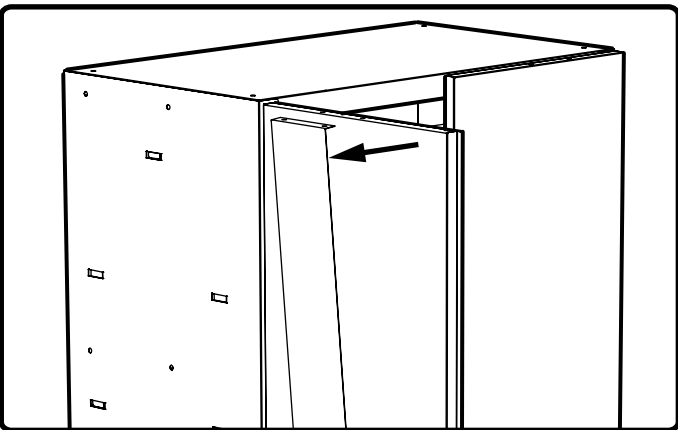


Bande magnétique

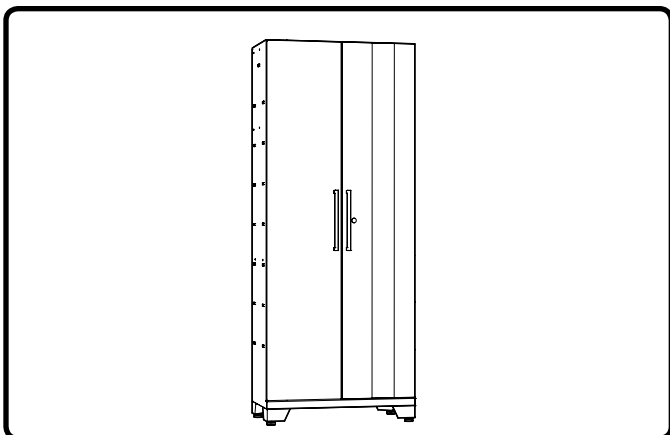
i Le bande peut être installer sur chaque porte. Pour enlevé le décal suivre étapes 1-3.



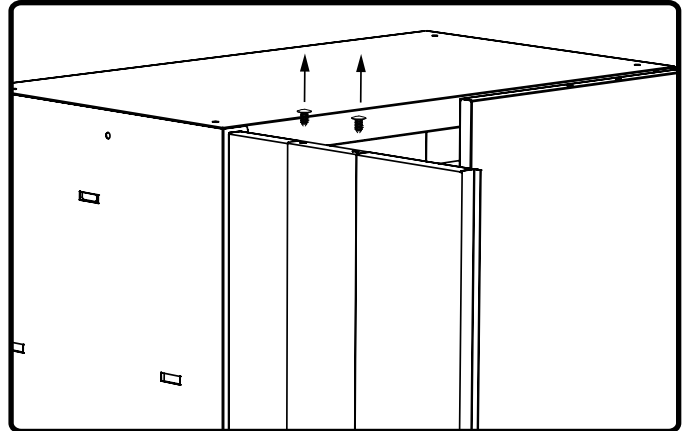
2 Enlève le bande magnétique du porte



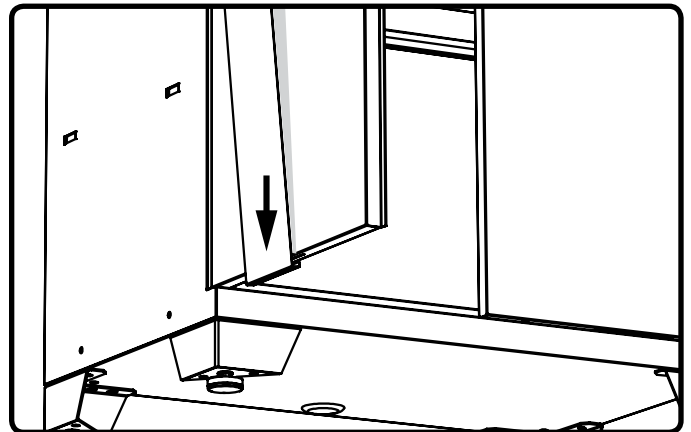
4 Attachez le bande magnétique sur la porte opposée suivant l'ordre inverse.



1 Retirer les bouchons en plastique qui maintien le bande en haute du porte.



3 Abaisser et retirer de la fente sur le bas de la porte.

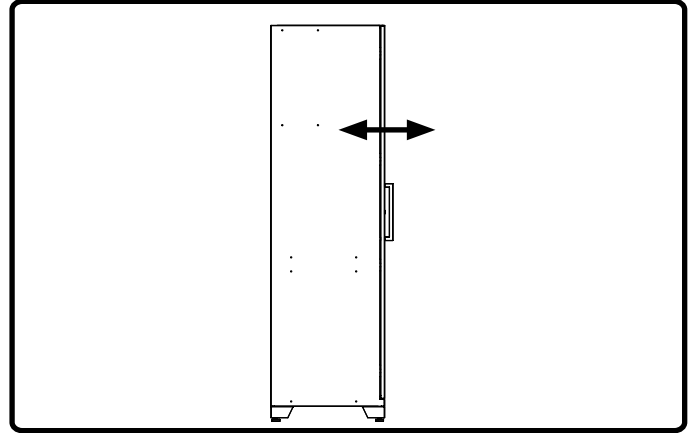
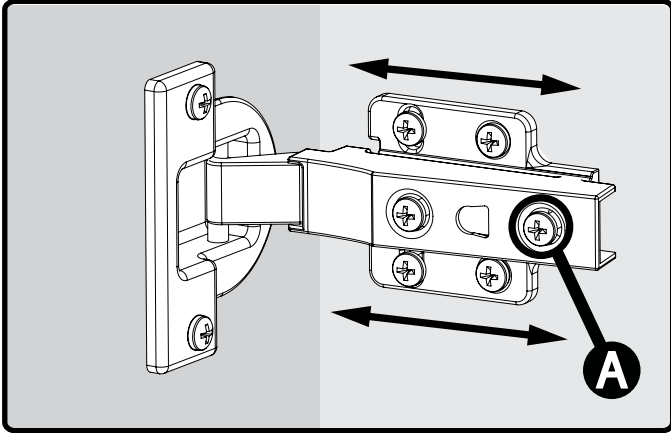


i MANIPULER AVEC PRÉCAUTION:
La bande magnétique peut facilement plier et froisser.

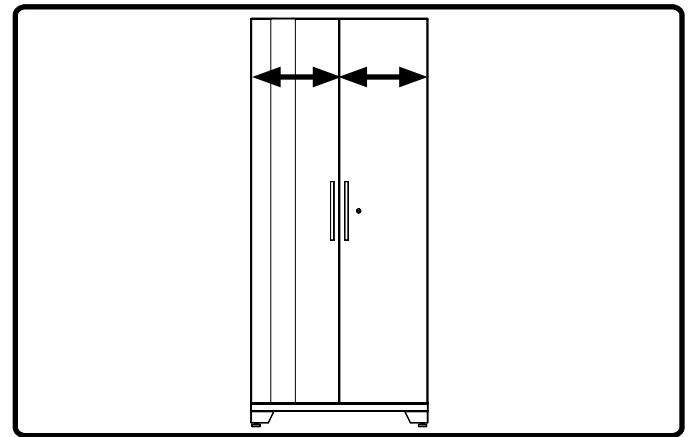
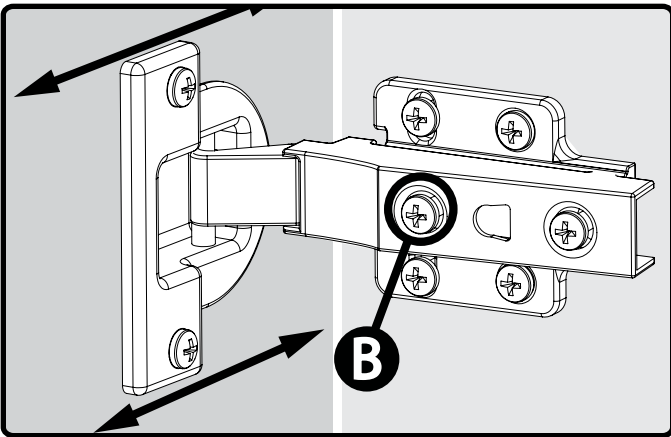
Réglage des charnières de portes

Avec un tournevis Philips, les portes peuvent être ajustées: Gauche, droite, en avant et en arrière, et vertical.

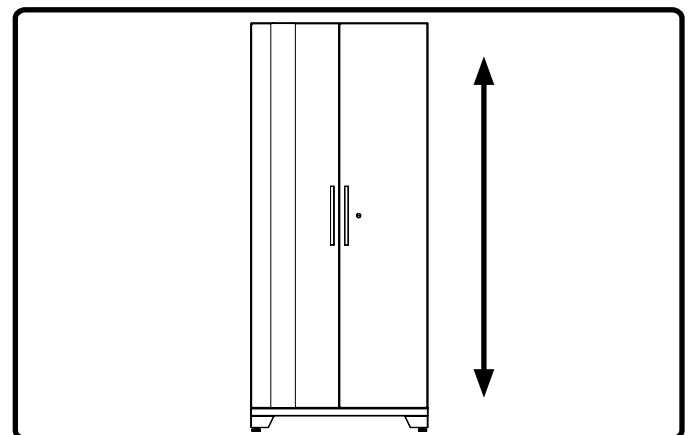
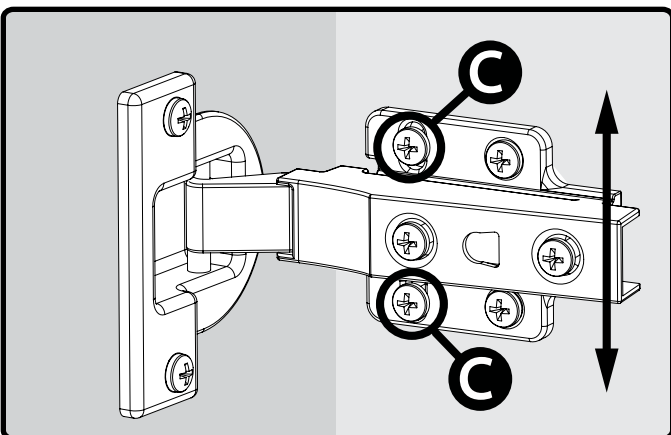
- 1** Pour régler les portes en avant ou en arrière, tournez la vis (A) dans le sens horaire ou anti-horaire.



- 2** Pour régler les portes à gauche ou à droite, tourner la vis (B) dans le sens horaire ou antihoraire



- 3** Pour régler la porte verticalement, tourner la vis (C) dans le sens horaire ou antihoraire.



Garantie à vie limitée du fabricant

Lorsque ce produit est installé, utilisé et entretenu conformément aux instructions ci-jointes ou fournies avec le produit, NewAge Products Inc. remplacera les pièces ou le produit défectueux advenant que ceux-ci découlent d'un défaut de matériel ou de fabrication pendant la durée de vie du produit.

NEWAGE PRODUCTS INC. N'ASSUMERA PAS LES COÛTS SUIVANTS :

1. Les appels de service pour corriger l'installation de tout produit NewAge ou pour vous montrer comment les utiliser ou les installer.
2. Les dommages causés par une manutention ou une expédition inadéquate du produit, ou des produits endommagés par un accident, une mauvaise utilisation, un abus, un incendie, une inondation, une installation inadéquate, un cas fortuit, une négligence, la corrosion, une modification ou une mauvaise manipulation.
3. Les produits endommagés en raison d'une charge supérieure au poids maximum précisé dans les instructions fournies avec le produit.
4. Les réparations ou le remplacement lorsque votre produit est utilisé pour un autre usage que celui d'un ménage unifamilial normal, comme un milieu commercial ou d'une façon non conforme aux directives d'installation incluses avec le produit.
5. Les dommages cosmétiques, y compris les éraflures, les marques, les entailles ou les fissures dans la peinture qui n'affectent pas la capacité fonctionnelle ou structurelle du produit.
6. Les surfaces endommagées en raison d'une interaction chimique entraînant la corrosion de la peinture ou du métal.
7. Les pièces de rechange pour des produits NewAge à l'extérieur du Canada et des États-Unis.
8. Les clés ou mécanismes de verrouillage de rechange.
9. La perte des produits y étant contenus en raison d'un vol, d'un incendie, d'une inondation, d'un accident ou de cas fortuits.
10. Les frais d'expédition ou de transport pour livrer les produits de rechange ou pour retourner des produits défectueux.
11. Tout coût de main-d'oeuvre pendant la période de garantie limitée.



EXONÉRATION DE GARANTIES IMPLICITES; LIMITATION DE RECOURS

LES GARANTIES IMPLICITES, Y COMPRIS LES GARANTIES APPLICABLES DE QUALITÉ MARCHANDE OU DE CONVENANCE PRÉCISE, SONT EXCLUES DANS LA LIMITE OÙ LA LOI LE PERMET. TOUTE GARANTIE IMPLICITE QUI POURRAIT ÊTRE IMPOSÉE PAR LA LOI DOIT SE LIMITER À UN AN, OU À LA PÉRIODE LA PLUS COURTE PERMISE PAR LA LOI. CERTAINS ÉTATS AINSI QUE CERTAINES PROVINCES NE PERMETTENT PAS LES LIMITATIONS OU LES EXCLUSIONS SUR LA DURÉE D'UNE GARANTIE IMPLICITE DE QUALITÉ MARCHANDE OU DE CONVENANCE PRÉCISE. PAR CONSÉQUENT, IL EST POSSIBLE QUE LES LIMITATIONS OU EXCLUSIONS PRÉCITÉES NE S'APPLIQUENT PAS À VOUS. CETTE GARANTIE VOUS DONNE DES DROITS LÉGAUX PARTICULIERS ET VOUS POURRIEZ ÉGALEMENT DISPOSER D'AUTRES DROITS VARIANT SELON L'ÉTAT OU LA PROVINCE.

Merci d'avoir acheté un produit NewAge!

Si vous avez des questions, veuillez nous appeler ou visiter notre site Web.

Appeler au 1.877.306.8930; pour le R.-U., composer le 0800.031.4069; envoyer un courriel à info@newageproducts.com.